



Yamarin 56 Bow Rider

Owner's manual

FOREWORD

Congratulations on choosing a Yamarin!

This user manual will familiarise you with the features of your new boat and help with its care and maintenance. It has been written to help you learn to handle your boat safely and avoid any problems. Make sure that you have received manuals for all equipment fitted on your boat. Supplement this manual with the specifications and manuals of equipment you purchase later for your boat. Space has been left for your own notes at the end of the manual. Please read this manual carefully and familiarise yourself with the craft before using it.

If this is your first craft, or you are changing to a type of craft you are not familiar with, please ensure that you obtain sufficient handling and operating experience before "assuming command" of the craft. This is highly important for your own comfort and safety. Your dealer or national sailing association or yacht club will be happy to advise you of local boating schools or competent instructors.

This user manual is not a detailed maintenance or trouble shooting guide. In case of difficulty please contact the dealer. Always use qualified and competent people for the maintenance, repair and modification of the boat. Modifications that may affect the safety characteristics of the craft must be assessed, executed and documented by competent people. The manufacturer is not responsible for modifications they have not approved.

Always keep your boat in a good condition and be aware that the boat requires maintenance and servicing. Any craft – no matter how strong it may be, can be severely damaged if not used properly. Always adjust the speed and direction of the craft to prevailing weather conditions.

We wish You enjoyable and relaxing times on board your Yamarin Boat!

Konekesko Marine
PL 145
01301 VANTAA, FINLAND

Tel. +358 (0)10 5311
www.yamarin.com

Please keep this user manual safe and hand it over to the next owner if you sell your boat.

Table of contents

1 General	6
1.1 Declaration of conformity	7
2 Definitions	9
3 Warranty	10
4 Before use	11
4.1 Registration	11
4.2 Insurance	11
4.3 Training	11
5 Characteristics and use of your boat	12
5.1 General	12
5.2 Basic data	12
5.3 Maximum recommended number of passengers	14
5.4 Loading	15
5.5 Engine and propeller	16
5.6 Prevention of water incursion and stability	16
5.6.1 Hull and deck through fittings and closing valves	16
5.6.2 Stability and buoyancy	18
5.7 Avoiding the risk of fire or explosion	18
5.7.1 Refuelling	18
5.7.2 Fire protection	19
5.8 Main switch and fuses	20
5.9 Operation	21
5.9.1 Controls	21
5.9.2 Emergency switch	21
5.9.3 Gearshift and throttle	21
5.9.4 Adjusting the engine trim angle	22
5.9.5 Starting the engine	22
5.9.6 Driving	23
5.9.7 Approaching and leaving the pier	24
5.9.8 Using the canopy	25
5.9.9 Doors between the windshield and steering console	25
5.10 Proper use – other recommendations and guidelines	25
5.10.1 Man overboard	25
5.10.2 Securing loose equipment	26
5.10.3 Respect for the environment	26
5.10.4 Anchoring and mooring the boat	26
5.10.5 Towing	27
5.10.6 Trailer transport	28
5.10.7 Docking	29

6 Servicing and maintenance	30
6.1 Washing and waxing the boat	30
6.2 Care instructions for seat cushions	31
6.3 Care instructions for the canopy	31
6.4 Care instructions for the windshield	31
6.5 Care instructions for the stainless steel components	32
6.6 Care instructions for the remote control	32
6.7 Care instructions for the steering system	32
6.8 Care instructions for electrical components	32
6.9 Minor superficial repairs	33
7 Winter storage	34
7.1 Measures before winter storage	34
7.2 Measures before launching the boat	34
8 Lay-out	36
8.1 General lay-out	36
8.2 Fuel system	37
8.3 Steering system	37
8.4 Electrical system	38
8.5 Wiring diagram	39

BEFORE YOU SET OFF

Familiarise yourself with this user manual.

Always check at least the following items before leaving:

- **Weather conditions and forecast**
Take the wind, waves and visibility into account. Are the design category, size and equipment of your boat, as well as the skills of the skipper and crew adequate for the waters you are heading for? Hatches and doors must be battened down during heavy wind and rough seas to prevent water incursion.
- **Loading and stability**
Do not overload the craft, and distribute loads appropriately. Heavy items are to be placed in the storage compartments underneath the aft bench. Please consider that the stability of the boat is reduced if people stand up when on board.
- **Passengers**
Ensure that there are personal flotation devices or lifejackets for all people on board. Agree on the tasks each person will be responsible for during the voyage before setting off.
- **Fuel and fuel system**
Make sure that the boat has enough fuel, including a 20% reserve for heavy weather or other unforeseen eventualities.
- **Engine and manoeuvring equipment**
Check the function and condition of steering and the remote control, and carry out the routine daily checks specified in the engine manual.
- **Seaworthiness**
Check the boat's seaworthiness in other respects as well: no fuel or water leaks, safety equipment on board, etc. Check that there is no water in the bilge.
- **Fastening of equipment**
Check that all onboard items are positioned so that they are held in place also during rough seas and high winds. Please note that the seat cushions may fly over board if they are not fixed properly with press studs.
- **Nautical charts**
If you are not navigating in completely familiar waters, ensure you have nautical charts on board that cover a large enough area! If your boat is equipped with a chart plotter, learn to use it before setting off. Ensure that the plotter charts are of the latest edition.
- **Leaving the berth**
Agree with the crew who will unfasten which mooring line, etc. Make sure that the mooring lines will not get entangled with the propeller during manoeuvring.
- **Obligatory equipment**
What is considered obligatory equipment varies between different countries. Find out what is required for your boat.

You will find additional instructions concerning the engine in the separate engine manual.

1 General

The user manual will help you familiarise yourself with the properties and features, as well as the care and maintenance of your new boat. Separate manuals for installed equipment are attached and are referred to in many sections of the user manual. You can supplement this owner's manual by adding the manuals of devices which are installed afterwards. Space has been left for your own notes at the end of the manual.

The craft has a running serial number, a CIN-code (Craft Identification Number). The CIN-code can be found on the starboard side of the transom just below the bathing platform. We recommend that you note down your CIN-code in the appropriate section of the declaration of conformity contained in this manual. When contacting the dealer, please provide the CIN-code and the type of craft. This helps in delivering the correct spare parts.

Essential requirements	Standards	Other normative Document/ method	Technical file	Please specify in more details (*Mandatory Standards)
General requirements (2)	<input checked="" type="checkbox"/>			EN ISO 8666:2002 *
Craft Identification Number - CIN (2.1)	<input checked="" type="checkbox"/>			EN ISO 10087:2006 *
Builder's Plate (2.2)	<input type="checkbox"/>	<input checked="" type="checkbox"/>	<input type="checkbox"/>	RCD annex I, 2.2
Protection from falling overboard and means of reboarding (2.3)	<input checked="" type="checkbox"/>	<input type="checkbox"/>	<input type="checkbox"/>	EN ISO 15085:2003/DAM 2.3.2
Visibility from the main steering position (2.4)	<input checked="" type="checkbox"/>	<input type="checkbox"/>	<input type="checkbox"/>	EN ISO 11591:2011
Owner's manual (2.5)	<input checked="" type="checkbox"/>	<input type="checkbox"/>	<input type="checkbox"/>	EN ISO 10240:2004
Integrity and structural requirements (3)				
Structure (3.1)	<input type="checkbox"/>	<input checked="" type="checkbox"/>	<input type="checkbox"/>	RSG Guidelines, NBS-VTT Extended Rule
Stability and freeboard (3.2)	<input checked="" type="checkbox"/>	<input type="checkbox"/>	<input type="checkbox"/>	EN ISO 12217-1:2015
Buoyancy and floatation (3.3)	<input checked="" type="checkbox"/>	<input type="checkbox"/>	<input type="checkbox"/>	EN ISO 12217-1:2015
Openings in hull, deck and superstructure (3.4)	<input checked="" type="checkbox"/>	<input type="checkbox"/>	<input type="checkbox"/>	EN ISO 9093-1:1997, EN ISO 12216:2002
Flooding (3.5)	<input checked="" type="checkbox"/>	<input type="checkbox"/>	<input type="checkbox"/>	EN ISO 15083:2003, ISO 8849:2003
Manufacturer's maximum recommended load (3.6)	<input checked="" type="checkbox"/>	<input type="checkbox"/>	<input type="checkbox"/>	EN ISO 14946:2001/AC 2005
Liferaft stowage (3.7)	<input type="checkbox"/>	<input type="checkbox"/>	<input type="checkbox"/>	
Escape (3.8)	<input type="checkbox"/>	<input type="checkbox"/>	<input type="checkbox"/>	
Anchoring, mooring and towing (3.9)	<input checked="" type="checkbox"/>	<input type="checkbox"/>	<input type="checkbox"/>	EN ISO 15084:2003
Handling characteristics (4)	<input checked="" type="checkbox"/>	<input type="checkbox"/>	<input type="checkbox"/>	EN ISO 11592:2001, EN ISO 8665:2006
Engines and engine spaces (5.1)				
Inboard engine (5.1.1)	<input type="checkbox"/>	<input type="checkbox"/>	<input type="checkbox"/>	
Ventilation (5.1.2)	<input type="checkbox"/>	<input type="checkbox"/>	<input type="checkbox"/>	
Exposed parts (5.1.3)	<input type="checkbox"/>	<input type="checkbox"/>	<input type="checkbox"/>	
Outboard engine starting (5.1.4)	<input type="checkbox"/>	<input type="checkbox"/>	<input type="checkbox"/>	
Fuel system (5.2)				
General – fuel system (5.2.1)	<input checked="" type="checkbox"/>	<input type="checkbox"/>	<input type="checkbox"/>	EN ISO 11105:1997
Fuel tanks (5.2.2)	<input checked="" type="checkbox"/>	<input type="checkbox"/>	<input type="checkbox"/>	EN ISO 10088:2013
Electrical systems (5.4)	<input checked="" type="checkbox"/>	<input type="checkbox"/>	<input type="checkbox"/>	EN ISO 10133:2012, EN ISO 8846:1993/A1:2000
Steering systems (5.4)				
General – steering system (5.4.1)	<input checked="" type="checkbox"/>	<input type="checkbox"/>	<input type="checkbox"/>	EN ISO 10592:1995/A1:2000
Emergency arrangements (5.4.2)	<input type="checkbox"/>	<input type="checkbox"/>	<input type="checkbox"/>	
Gas systems (5.5)	<input type="checkbox"/>	<input type="checkbox"/>	<input type="checkbox"/>	
Fire protection (5.6)				
General – fire protection(5.6.1)	<input checked="" type="checkbox"/>	<input type="checkbox"/>	<input type="checkbox"/>	EN ISO 9094-1:2015
Fire-fighting equipment (5.6.2)	<input checked="" type="checkbox"/>	<input type="checkbox"/>	<input type="checkbox"/>	EN ISO 9094-1:2015
Navigation lights (5.7)	<input type="checkbox"/>	<input checked="" type="checkbox"/>	<input type="checkbox"/>	1972 COLREG
Discharge prevention (5.8)	<input type="checkbox"/>	<input type="checkbox"/>	<input type="checkbox"/>	
Annex I.B – Exhaust Emissions	See the Declaration of Conformity of the engine manufacturer			
Annex I.C – Noise Emissions¹	<input type="checkbox"/>	<input type="checkbox"/>	<input type="checkbox"/>	
Noise emission levels (I.C.1)	<input type="checkbox"/>	<input type="checkbox"/>	<input type="checkbox"/>	
Owner's manual (I.C.2)	<input type="checkbox"/>	<input type="checkbox"/>	<input type="checkbox"/>	

¹ Only to be completed for boats with inboard engines or sterndrive engines without integral exhaust.

2 Definitions

The warnings and cautions in this manual are defined as follows:

- DANGER!*** Denotes an extreme intrinsic hazard exists, which would result in a high probability of death or irreparable injury if proper precautions are not taken.
- WARNING!*** Denotes a hazard which can result in injury or death if proper precautions are not taken.
- NOTE!*** Denotes a reminder of safety practices or directs attention to unsafe practices, which could result in personal injury or damage to the craft, its components or the environment.

SI system units are used in this manual. In some cases other units have been added in brackets. An exception is wind speed, for which the Beaufort scale is used in the recreational craft directive.

3 Warranty

The boat and its factory-installed equipment have a two-year warranty, starting from the first day of use. Please contact your dealer regarding any potential warranty issues. Please remember to provide the CIN-code. If possible, please provide a digital photograph of the subject of your claim. This usually speeds up the claims process.

4 Before use

4.1 Registration

Registration regulations vary between different countries. Find out what is required in relation to your own boat.

4.2 Insurance

Boat insurance can compensate damage occurring on water or during transport and lifting. Check who has insurance liability each time when having the boat lifted. Insurance also has an indirect effect on safety at sea: In the event of a serious accident or damage, you must, above all, concentrate on saving people. Insurance companies will be able to give more information about different insurance alternatives. Check who has insurance liability each time when having the boat lifted or transported!

4.3 Training

No one is a born sailor.

There is plenty of boating literature available.

Navigation courses are arranged by local yacht clubs or national boating associations where you can gain basic skills.

However, please remember that you only become confident in boat handling, navigation, docking and anchoring after long practical experience.

5 Characteristics and use of your boat

5.1 General

This user manual is not meant to be a complete service or repair manual, but to guide the user in using his/her boat in a proper way.

Pictures and drawings of this manual might include optional or country-specific features.

5.2 Basic data

Recreational crafts can be constructed according to 4 categories (A, B, C and D) according to recreational craft directive 2013/53/EU. This boat has been constructed according to design category C, which denotes the following:

The boat is built for conditions where the wind reaches a maximum of 6 Beaufort (approx. 14 m/s) and corresponding seas (significant wave height at most 2 metres). Such conditions may be encountered on exposed inland waters, in estuaries, and in coastal waters in moderate weather conditions.

Significant wave height is the mean height of the highest third of the waves, which approximately corresponds to the wave height as estimated by an experienced observer. Individual waves may reach up to twice this height. If the significant wave height is 2.0 m, the mean height of all waves is roughly 1.2 m.

Maximum recommended load: See *technical specifications*

Please also refer to section 5.4 “Loading”.

Main dimensions and capacities: See *technical specifications*

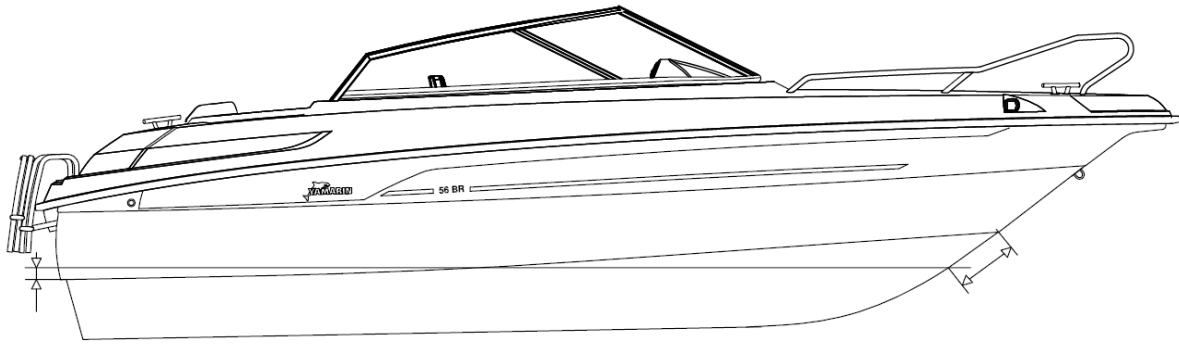
Craft length, width, draught, total weight etc., as well as tank capacities are shown in the technical specifications.

Builder's plate:

Part of the previously mentioned information is given on the builder's plate, which is affixed next to the remote control. Supplementary information is provided in the appropriate sections of this manual.

Technical specifications

Model	YAMARIN 56 BR	
Design category	C	
Overall length (swim ladder not included)	5.67 m	
Width	2.25 m	
Weight without engine, fluids and equipment	approx. 670 kg	
Weight on trailer with largest recommended engine	approx. 930 kg Includes the boat (approx. 670 kg), a Yamaha F100 engine (180 kg) and the estimated weight of fluids and equipment (80 kg). NOTE! This is not the maximum weight of fluids and equipment.	
Weight on trailer with the largest engine that complies with the standard	approx. 1,009 kg Includes the boat (approx. 670 kg) and a 100 hp engine (259 kg) and the estimated weight of fluids and equipment (80 kg). NOTE! This is not the maximum weight of fluids and equipment.	
Maximum weight of load / Maximum number of passengers	518 kg 6 persons	
Maximum load includes	450 kg / 6 persons (75 kg each) + fuel 68 kg = 518 kg	
Maximum load on builder's plate (CE sign)	450 kg Includes passengers 6 x 75 kg = 450 kg	
Weight at full load	approx. 1,414 kg Includes the boat 670 kg + batteries 20 kg + engine 259 kg + basic equipment 28 kg + fuel 68 kg + passengers 450 kg	
Maximum engine power	85 kW / 115 hp	
Weight of largest recommended engine	259 kg	
Fuel tank capacity	90 litres	
Maximum draught at full load, engine up	approx. 0.4 m	
Maximum height from water line at light load	approx. 1.4 m	
Construction material	Reinforced plastic	
Colour codes:		
- Hull:	Ashland 10015	RAL 9016
- Deck	Ashland 10015	RAL 9016
Steering cable	5.5 m	
Remote control cables	3.6 m	
Reached speed at performance test	approx. 39 knots	

**Water line:**

- At stern From chine 140 mm up
- At bow From chine 310 mm down along the bow

NOTE!

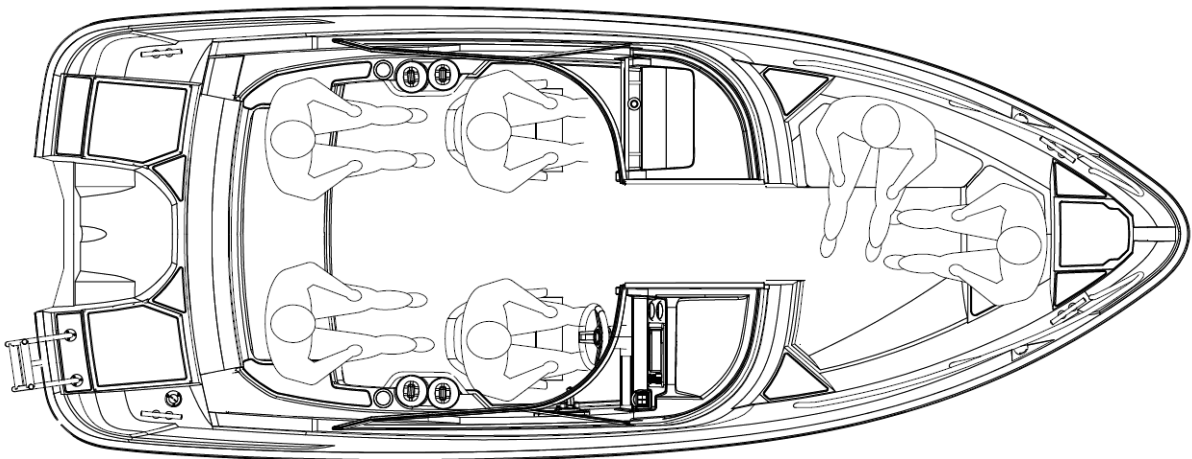
The measurements indicate the upper limit of antifouling paint, not the boat's true water line.

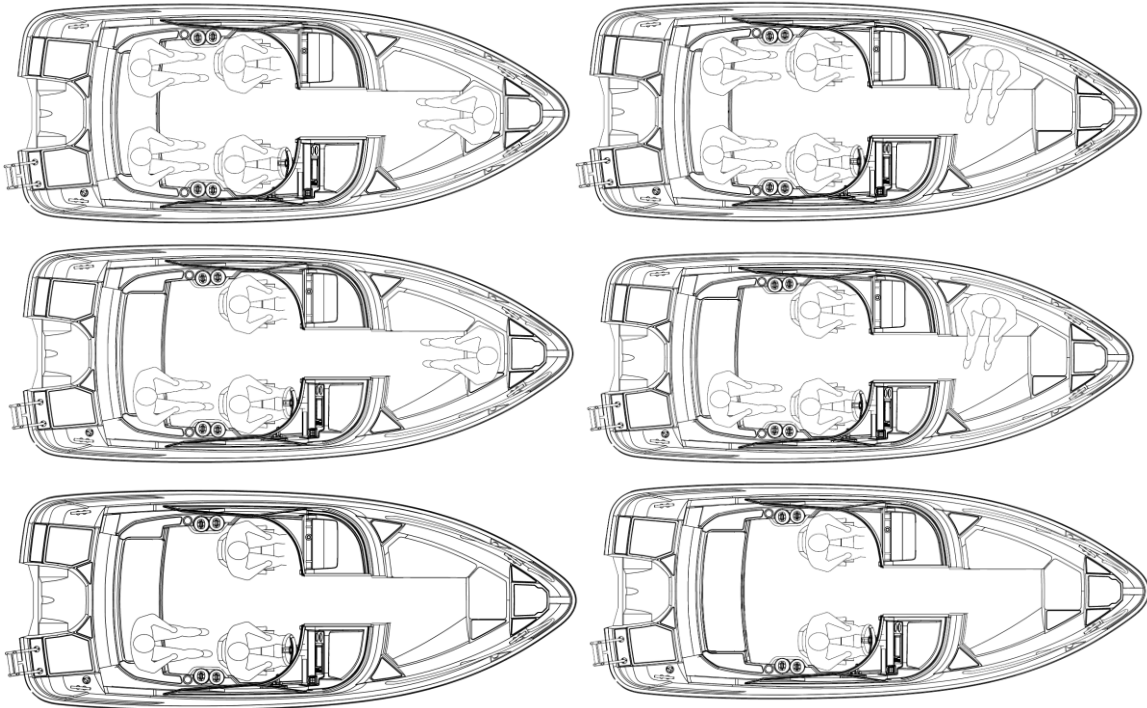
5.3 Maximum recommended number of passengers

The boat's maximum recommended number of passengers is six persons.

WARNING!

Do not exceed the maximum recommended number of passengers. Regardless of the number of passengers, the total weight of people and equipment must never exceed the maximum recommended load (please refer to "Loading"). All persons on board must remain seated while the boat is moving.





Seats on the boat.

NOTE!

If you load the boat from stern to bow, you will have better fuel economy.

5.4 Loading

The boat's maximum permitted load is 518 kg. This load includes the following weights:

- a) The total weight of passengers 450 kg (the default weight of an adult is assumed to be 75 kg and that of a child 37.5 kg)
- b) And liquids (fuel) in fixed tanks 68 kg.

NOTE!

The maximum load only includes the above-mentioned weight components.

WARNING!

Never exceed the maximum recommended load when loading the craft. Always load the craft carefully and distribute loads appropriately so that the boat is on an even keel. Heavy equipment should usually be placed in the storage compartment under the aft seat. Always avoid placing heavy items high up.

5.5 Engine and propeller

The greatest engine power recommended for the boat is 115 hp (85 kW). Do not use the boat if its engine has a higher power in kW than the one marked on the CE plate. Using a more powerful engine than specified on the CE plate will void the boat's warranty. Follow the dealer's instructions when choosing the propeller for your craft.

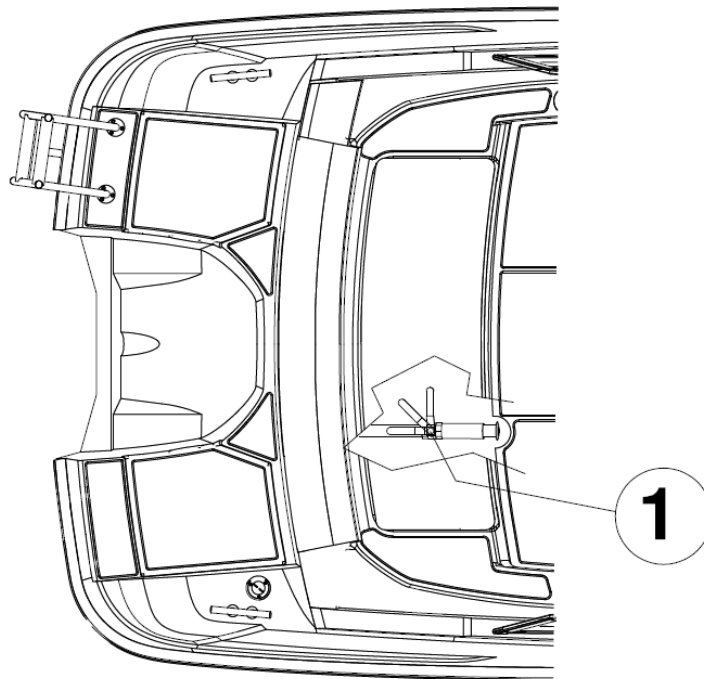
Yamaha F80	13 x 19"	6E5 ALU
Yamaha F100	12 $\frac{3}{8}$ x 21"	6E5 ALU
Yamaha F115	13 x 19"	688 SS

5.6 Prevention of water incursion and stability

5.6.1 Hull and deck through fittings and closing valves

The boat has a rainwater draining system, which means that rainwater is drained from the undecked part of the boat when the boat is on the water. The system also functions when the boat is out of water, provided that the bow is higher than the stern and closing valve is open.

The rainwater drainage closing valve is located under the middle hatch of the aft seat. This drain valve is meant to be shut only when at maximum load to prevent potential water incursion. **In other loading conditions the drain valve should remain open to let rainwater drain from the boat.**

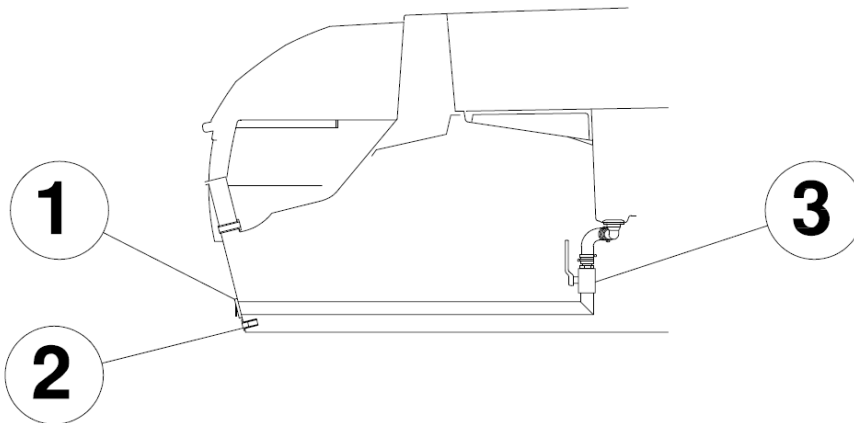


(1) Rainwater drainage valve

The owner of the boat is responsible for ensuring that there is at least one baler or bucket on the boat and that it has been secured.

WARNING!

Always keep the drainpipe shut when its inboard end is constantly below the waterline due to loading. The shut-off flap on the transom only prevents water from entering the boat when reversing!



1. The shut-off flap
2. Drain plug
3. Rainwater drainage valve

NOTE!

Make sure that water can flow unobstructed through the drainpipe. Debris like autumn leaves may obstruct the water flow, which can cause the boat to fill with water and sink. The bilge pump system does not work in conditions below 0°C.

NOTE!

There is always some amount of condensed water in the bilge. A small amount of water may also come through the hull bushings, especially as the boat ages. Always remember to check the bilge, via the inspection hatch (a hatch that allows access to the rainwater drainage valve) under the aft seat, before you leave the boat at quay or buoy and always before setting off. Have possible leaks repaired at an authorised repair shop.

PRECAUTION!

Regularly check to ensure that there is no debris at the end of the suction hose for hand pump. The bilge pump suction hose is located in the rear end of bilge. You have a service access through rear compartments inspection hatch (plywood plate).

WARNING!

The boat's handling properties may become extremely dangerous if there is water in the bilge.

WARNING!

In rough weather, the hatches and drawers should be kept shut to prevent them filling with water.

5.6.2 Stability and buoyancy

Please note that the boat's stability is reduced by any weight added high up on the boat. Any change in the distribution of weight on board may significantly affect the stability, trim and performance of your craft. Please remember that large breaking waves always present a serious danger to stability.

- The amount of water in the bilge must be kept as low as possible.
- The boat's stability may be impaired during towing, or when passenger are lifting heavy items.
- The boat will carry its passengers also when filled with water.

5.7 Avoiding the risk of fire or explosion

5.7.1 Refuelling

Shut off the engine and extinguish any cigarettes before starting to refuel. During refuelling, do not use switches or appliances that can cause a spark.

Always keep a spare can of fuel on board. The anchor boxes at the stern are especially suitable for storing the spare canister. There is no risk of gasified fuel coming into contact with battery compartments or the electrical system from either of these boxes.

Do not stow any loose items under the aft seat that, if moved, could prevent fuel flow to the engine. This is particularly important for items that may press against hoses or the fuel filter. Check annually that the fuel hoses are not worn, especially at lead-ins.

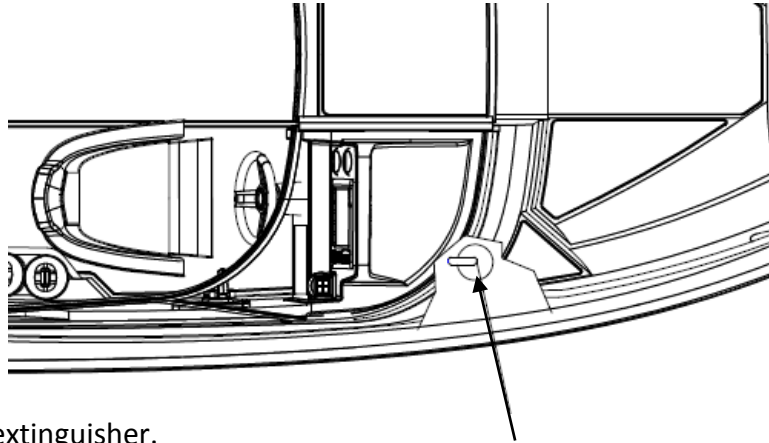
Please note that depending on the trim of the boat or the boat's heeling angle, it might not be possible to use the full capacity of the tank.

WARNING!

Gasified fuel is highly explosive. Observe these instructions and the utmost caution during refuelling. The smell of fuel always means there is gasified fuel on your boat.

5.7.2 Fire protection

The boat is equipped with a portable 2 kg fire extinguisher class 8A 68 B, which is the minimum power requirement for extinguishers. The extinguisher is located in the storage compartment on the front of the co-driver's console (the battery compartment). The boat must always have an approved and inspected extinguisher during use. The fire extinguisher must be inspected annually by an authorised inspector to ensure its functioning. In the event that the fire extinguisher is replaced, the capacity of the new one must be at least equivalent to the old.



Location of fire extinguisher.

Ensure that fire-fighting equipment is readily accessible even when the boat is loaded. Inform members of the crew about the location and operation of fire-fighting equipment.

Remember:

- Never hinder access to safety equipment, for instance the switches to the electric system.
- Never hinder access to fire extinguishers located in a box.
- Never make changes to any of the boat's systems (especially the electricity or the fuel systems) or allow an unqualified person to make changes to any of the boat's systems.
- Never smoke while handling petrol or gas.

NOTE! Always keep the bilge clean and check regularly for possible fuel leaks.

NOTE! In a new boat the fire extinguisher might go out of date in a short period of time.

5.8 Main switch and fuses

Electric circuit fuses are located beneath the main power switch. Do not change the fuse amperages or install any components that exceed the nominal amperage of the circuit in the electric system.

Operation of the main switch:

- clockwise position -> circuit switched on
- counter-clockwise position -> battery disconnected



Main switch and fuses.

F1 = Navigation light fuse

F2 = Windshield wiper (accessory)

F3 = Memory

F4 = Fuse for the 12 V power outlet

F5 = Chart plotter

F6 = Extra (empty)

All fuses on the boat are automatic. In the event of a fault current, the automatic fuse will blow. You can "rearm" the fuse by pushing it back in. If the fuse immediately blows back out, there is a short-circuit in the electrical system or a component. You must leave repairing the boat's electrical system to a professional electrician.

NOTE! Never switch off the main switch while the engine is running!
It can cause serious damage to the engine's electric system.

NOTE! Never install electric equipment on the boat with the power switched on.

NOTE! **Use the Extra circuit when installing additional equipment on the boat.** Connect the appliance both to the power supply and grounding cables. **Never use the hull of the boat as a grounding network.**

NOTE! When connecting or disconnecting the battery, do not touch both terminals simultaneously with metal objects.

5.9 Operation

If this is your first boat or a boat type new to you, take someone with experience of a similar boat with you the first few times.

NOTE! The boat's maximum propulsion power is 85 kW (115 hp). Do not use the boat, if its engine has a higher power than the one marked on the builder's plate.

5.9.1 Controls

You will quickly learn how to control your boat, but changing weather conditions, such as wind and waves, will always present new challenges for the driver. The remote control combines the functions of throttle, forward and reverse gears, and the adjusting of the engine trim angle.

5.9.2 Emergency switch

The emergency switch is a device with one end attached to the switch under the remote control, and the other end to, for example, your life vest. The emergency switch automatically switches off the engine when detached from the remote control. It is very important that the boat will come to a halt in the event that the driver, for whatever reason, loses his/her balance and is flung from the helm.

NOTE! Never take control of the boat without having attached the emergency switch to yourself. If you attach the emergency switch to your arm, do not steer the boat with that arm, because the emergency switch cord may become tangled in the steering wheel during tight turns.

NOTE! The engine will not start if the emergency switch is not attached to the switch on the remote control.

DANGER! A rotating propeller presents a life-threatening danger to a swimmer or a person that has fallen overboard. Always use the emergency switch to turn off the engine when a swimmer or water skier is about to re-enter the boat from the water.

5.9.3 Gearshift and throttle

The engine is put into gear by pushing the button on the gear/throttle handle upwards with your fingers, and by pushing or pulling the gear/throttle lever forward or backward, depending on the direction in which you are planning to set out. When the engine is in gear, you can adjust the boat's speed using the same gear/throttle lever.

When the boat is travelling forward slowly, you can use the reverse gear for braking when approaching the pier, for instance. You must not shift into reverse if the boat is travelling at higher speeds, because it will damage the engine.

5.9.4 Adjusting the engine trim angle

The following are the main rules when adjusting the trim angle:

- When bringing the boat to plane, keep the "bow down" position.
- When the boat is planing and seas are clam, keep lifting the bow until you can feel that both the engine and the boat move very easily. In calm waters, the engine should normally be trimmed up at least 3 scale marks on the trim indicator on the revolution counter. If the engine is trimmed up too much, the speed of the boat will be reduced. If the boat is trimmed too low, the boat will run slowly and the engine will run heavily. To achieve good fuel economy it is important to drive the boat with the right engine trim angle.
- In heavy head seas lower the bow to allow it to slice through the waves better, thus providing a smoother ride.
- In following seas, raise the bow to avoid "diving" into the waves.
- Adjust the engine trim angle slightly upwards while reversing to make the engine run higher in the water.
- If your boat is equipped with a water-skiing pole (accessory), the engine must be in the straight position when raised.

WARNING! Do not drive the boat at high speeds with the engine trimmed up (bow up), as there is a risk of sudden heeling when the propeller hits the water again after a flight in heavy waves. Likewise, do not drive at high speed with the engine completely trimmed down (bow down) since this can cause the boat to pitch unexpectedly when the bow hits the water.

WARNING! Waves reduce manoeuvrability and make the boat heel. Take this into account by reducing speed when encountering heavier seas.

5.9.5 Starting the engine

1. Switch the power on using the main switch.
2. Lower the engine to the driving position by pressing the Power Trim button on the gear/throttle handle.
3. Check that the gear/throttle handle is in the neutral position and that the emergency switch is attached to the bottom of the remote control.
4. Switch on the current, using the start key, without starting the engine and wait a few seconds for the warning lights to light up.
5. Start the engine by turning the ignition key clockwise, until it starts. If everything is in order, the engine should start within 1-2 seconds. If the engine does not start, you should not try to start it for more than 10 seconds at a time.
6. After the engine has started, let it idle for a few minutes before setting off. (Please refer to the engine manual!).

For more detailed information, please refer to the engine manual.

5.9.6 Driving

It is easy to drive when the weather is fine and the sea calm. However, always remember to keep an adequate lookout. In order to maintain the best possible visibility from the driver's position, you should:

- Ensure that passengers do not restrict your visibility.
- Not drive near planing speed for long periods, as the bow will come up and reduce visibility.
- Look over the windshield when visibility is poor.
- Remember to also keep a lookout behind you, particularly on shipping lanes and heavily trafficked routes.

NOTE! Use navigation lights in darkness.

Always adjust your speed to prevailing conditions and the environment. Take into account the following:

- Waves (also consult the passengers on what is a comfortable speed)
- Your own bow wake (greatest at planing speed, least at speeds under 5 knots)
- Maintaining adequate lookout
- Visibility (islands, fog, rain, driving against the sun)
- Knowledge of the route (time required for navigation)
- Rules of priority (other traffic)
- Width of the route (other traffic, noise and bow wake near shore)
- Make sure to always maintain a sufficient distance to avoid collision. The distance must be sufficient to stop the boat or to take evasive action.

When running at low speed, a planing boat's directional stability is poorer than at higher speeds. So be careful in narrow passages and, particularly, when meeting other boats

and follow the international regulations on how to avoid collisions at sea, COLREG. Navigate with care and use new or updated nautical charts.

The running position of the boat greatly affects its handling characteristics and fuel consumption, as well as visibility from the driver's seat. You can affect the running position by:

- Placing the load properly. The general rule is that you should place as little weight in the bow as possible.
- Adjusting the trim angle.

The combination of the right running position with the right speed also makes driving in rough seas safer and more comfortable.

WARNING! A high speed and sudden manoeuvring can lead to loss of control over the boat and large heeling angles.

WARNING! The boat is not designed for use in temperatures below 0°C. The drainage system will freeze and cease to operate as designed.

NOTE! The boat is not designed to jump waves.
The warranty does not cover damage caused by flight. It is possible to check whether the engine has been airborne from the engine history on the repair shop's computer.

5.9.7 Approaching and leaving the pier

Practise boat manoeuvring skills where there is ample space to learn how to approach a pier before entering a crowded marina.

A very gentle application of throttle does not generate sufficient steering power. Sharp but short throttle applications enable efficient steering movements when approaching the pier.

Ensure that everyone on board who does not have to stand up is seated when you are approaching the pier. Sudden steering movements may cause the boat to heel and injure somebody.

Before docking, prepare the mooring lines at stern and bow. Approach the pier bow first at a narrow angle. Just before touching the pier, steer against it and shift into reverse. Apply throttle quickly and sharply. The boat will stop and turn parallel to the pier. If possible, make the approach into the wind or current, whichever is the strongest. This makes departing easier as the wind or current will push the bow out from the pier. The easiest way to depart is to first push the stern as far away from the pier as possible, and then slowly reverse away from the pier into open water.

The propeller is designed to have the best grip in forward gear. Therefore, propeller performance is weaker in reverse. Neither does the boat have a similar steering response in reverse as in forward gear.

WARNING! The boat is fast. It will not stop instantly from plane. Slow down in time before anchoring, beaching or docking. Learn to estimate the distance the boat needs to come to a halt. Remember that steering control is poor if there is no traction.

WARNING! Do not try to stop the boat with your hands, and do not put your arm or foot between the boat and the pier, shore or another vessel! Practise beaching and docking under favourable conditions! Use moderate but firm engine power!

NOTE! When securing your boat, you must take into consideration possible changes in wind direction, a rise or lowering of the water level, any possible bow wakes, etc. You can get more information from your insurance company, for example.

5.9.8 Using the canopy

The canopy is designed to withstand a maximum speed of 30 knots at sea and 50 km/h in road transport. All press studs must be properly fastened when using the canopy. We recommend that you remove the sides and back of the canopy to make it fit into the canopy box more easily. Then, fold the upper parts of the sides entirely on top of the roof, so that no fabric remains where the corners of the canopy supports are. Finally, roll up the roof part along with the sides folded on top of it, and lower the canopy into the canopy box.

NOTE!

The windshield and canopy are not fully watertight. Water may enter the boat from the gap between the canopy and windshield when the canopy is up.

5.9.9 Doors between the windshield and steering console

Doors must always be kept shut and locked while driving.

WARNING!

Large waves or gusts of wind may slam the door shut also when the boat is stationary. It is thus recommended to always keep the door closed when passage through the bow deck is not being used.

5.10 Proper use – other recommendations and guidelines

5.10.1 Man overboard

It is always a serious situation when someone falls overboard. Rescue procedures should be practised in advance during good weather, because it is too late for practice when someone has fallen overboard.

The boat is equipped with the fixed swim ladder that can be lowered down from the water. The swim ladder unfolds to the full length by pulling the extension ladder away from the boat.

It is always easiest to help a person climb on board from the water at the stern of the boat. A rope loop attached to the boat helps lifting. The boat's swim ladder extends 30 cm into the water.

It is very important to maintain visual and verbal contact with a person that has fallen overboard.

DANGER!

A rotating propeller presents a life-threatening danger to a swimmer or a person that has fallen overboard. Always use the emergency switch to turn off the engine when a swimmer or water skier is about to enter the water or re-enter the boat from the water.

5.10.2 Securing loose equipment

Secure all heavy equipment, such as anchors, firmly in place before setting off.

5.10.3 Respect for the environment

Conservation of the environment is a matter of honour for every boater. Therefore, you should avoid:

- fuel and oil leaks
- emptying garbage and waste into the water or on the shore
- letting detergents or solvents get into the water
- loud noise both on the water and at the marina
- and producing an unnecessarily high bow wake, especially in narrow passages and shallow waters.

Service the engine well and run it at the most economical speed, which will also keep exhaust emissions low.

Please also consider other local environmental legislation and regulations.

Please make sure to familiarise yourself with the International Convention for the Prevention of Pollution From Ships (MARPOL) and respect it to the greatest possible extent.

5.10.4 Anchoring and mooring the boat

Always moor your boat carefully, even in sheltered places, because conditions can change rapidly. Mooring lines should be equipped with absorbers to dampen any jolts. Please refer to the section on *towing* for the location of bollards. To prevent abrasion, use fenders that are large enough.

The hook located at the bow of the boat is for locking the boat to trailer. The hook on the deck is for locking the boat (e.g. to a pier). The locations of the hooks are presented in Paragraph 8.

NOTE! Make sure that the lock or chain does not scratch the deck of the boat.

The forward endurance of the bow bollards is at least 14.1 kN, i.e. approximately 1,360 kg. The backward endurance of the stern bollards is at least 9.8 kN, i.e. approximately 945 kg. The ultimate strength of mooring lines should be smaller than that of the bollard they are attached to. Thus, the mooring line will break before the bollard or its attachment gives out.

The minimum anchor weight for the boat is 7.5 kg. Drop anchor far enough from shore. A moderate grip is attained if the anchor line length is 4–5 times the water depth.

WARNING! Do not try to stop the boat with your hands, and do not put your arm or foot between the boat and the pier, shore or another vessel!

NOTE! When securing your boat, you must take into consideration possible changes in wind direction, a rise or lowering of the water level, any possible bow wakes, etc. You can get more information from your insurance company, for example.

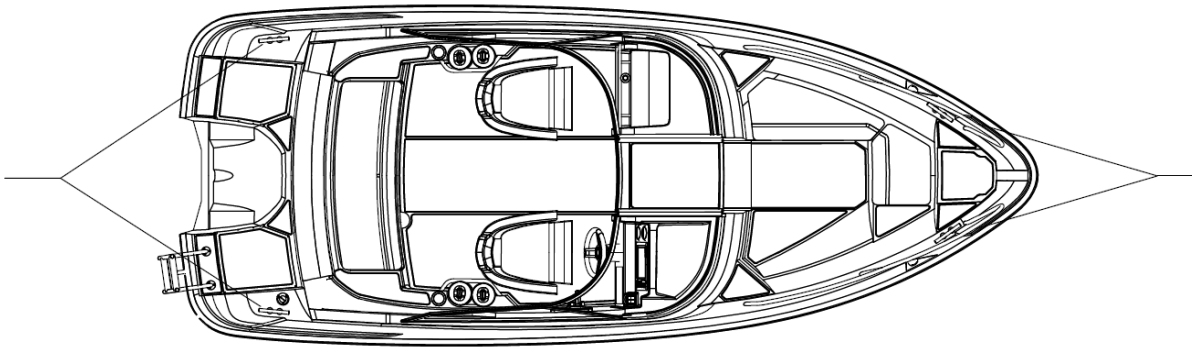
NOTE! It is the owner's / user's responsibility to make sure that the boat's mooring and anchoring equipment is suitable for the boat's intended use.

5.10.5 Towing

When towing another boat, use a floating line that is strong enough for the task. Begin towing carefully, avoid jerks, and do not overload the engine.

The owner of the boat should consider the measures necessary for securing the boat's towrope.

If you are towing, or if your boat has to be towed, attach the towline to the bollards as per the following image.



Attaching the towline to the bollards.

WARNING! When towing, the towline is under high tension. If it should break, the end that has snapped off may lash back at fatal speed. Always use a thick enough rope and avoid the line of the towrope.

NOTE! When towing another boat or being towed, always drive at low speed. If the boat has a displacement hull, never exceed hull speed while towing (speed before boat rises to plane).

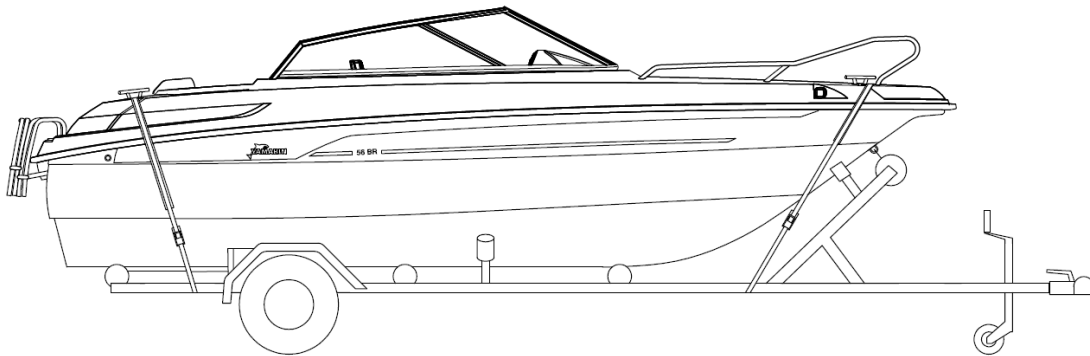
NOTE! The towline should always be fastened so that it can be unfastened under load.

5.10.6 Trailer transport

Weight information for trailer transport can be found in the *technical specifications*. The trailer's keel supports should carry most of the weight of the boat. Adjust the keel supports so that the boat cannot slide from side to side. For more information on correct support and trailer size, please turn to your dealer.

Clean the supports of sand and dirt, so they will not scratch the bottom of the boat. Double-check that the trailer is securely coupled to the trailer tow hitch!

The place for lifting the boat out of the water should be sheltered, and the ramp should extend deep enough into the water. Reverse the trailer so deep that the rearmost keel support is just above the water. Drive the boat carefully towards the rearmost keel support and fasten the winch cable to the trailer hook. Reel the boat up onto the trailer, taking care that the boat remains straight on the trailer's centre line. Remember to trim up the engine before reeling the boat onto the trailer, so it will not hit the bottom.



Attaching the boat to the trailer.

Tie the boat properly before beginning transport. The sling ropes at the bow should be directed down and back, and the sling ropes at stern should be directed down and front. Do not leave any loose equipment or extra load on the boat when it is being transported. Remove the seat cushions and close all hatches properly.

The engine should be in the driving position during transport. However, ensure that there remains adequate clearance. If the clearance is not sufficient in this position, you can transport the engine raised. In such cases, lock the engine in the up position.

If the boat is kept on the trailer between transports, you must loosen the sling ropes for the duration and only tighten them before the next transport.

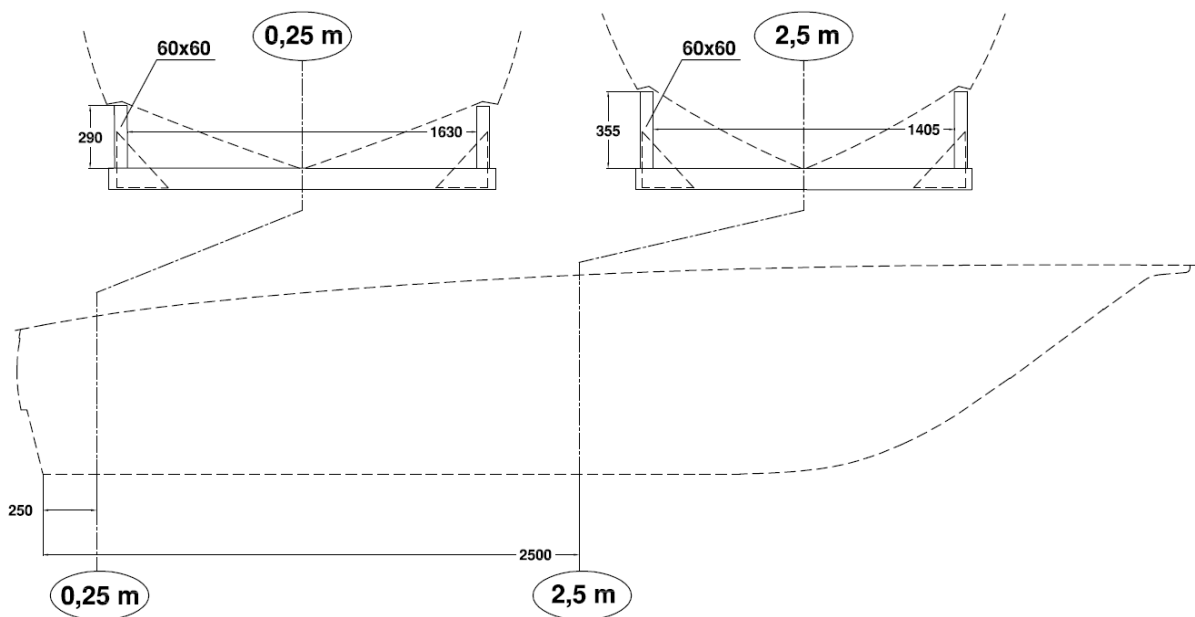
NOTE!

The trailer should be slightly front-weighted. Appropriate nose weight is 4 % of the total mass of the trailer, but not less than 25 kg. Nose weight must not exceed the maximum vertical load on tow ball. Maximum load is defined by car manufacturer of the towing vehicle. Make sure that the boat is fastened tight enough to the trailer, and that the weight of the boat is divided equally between side supports. If the boat swings against a side support during transport, it can result in hull damage.

When letting the boat down from the trailer, remember to fasten the bow rope to the boat beforehand so that you can release the cable from the trailer hook as soon as the boat is in the water. Be careful with the winch handle!

5.10.7 Docking

A storage cradle should be sufficiently steady and suitable for the boat's and engine's dimensions. A sturdy plank (2x4"), should be placed between the "V" trestles to support the keel and to bear most of the weight of the boat. The boat must not rest on the side supports. The side supports should not be placed touching the bottom chine, and point loads should be avoided. The supporting structures should be strong, particularly near the transom, to support the added weight of the engine. Storage cradle dimensions are shown in the picture below.



Storage cradle dimensions.

Only use reputable lifting companies or boat yards with sufficient lifting capacity. In addition to the boat's tare weight (please refer to the technical specification), also take into consideration accessories and other possible loads in the boat.

When the boat is being lifted, the lines must be placed under the boat and the boat must remain horizontal during lifting.

NOTE! The boat must not be lifted by its bollards.

DANGER! Never stand under a boat that is suspended from a crane.

6 Servicing and maintenance

Keep your boat and its equipment clean and tidy. This increases comfort and safety on board, as well as the boat's resale value.

Familiarise yourself with the service procedures shown in the engine manual (see annex). Have your engine serviced according to the instructions in the manual.

6.1 Washing and waxing the boat

Cleaning fibreglass surfaces

Normally it is sufficient to just wash and wax the deck and sides. Special boat cleaning agents are most suitable for the purpose. Do not use strong solvents; they can cause glossy surfaces to fade. Mildly abrasive polishes can be used to remove chafes and embedded dirt from the deck. Fibre glass surfaces can be washed with a pressure washer. Follow the chemical manufacturer's instructions when washing and cleaning the deck.

Useful tip: Washing the boat will be easier if it is done immediately after getting the boat out of the water.

NOTE! Do not spray water directly on the boat's air grills, or the water may penetrate the boat's interior and structure.

The hatches of the glove compartment and instrument panel are made of plastic and can be washed with soap water; never use solvents to clean them. never use solvents to clean it.

Useful tip: When the boat has been washed with tap water, a thin chalk-like layer of lime and minerals will remain on the boat's surface after it has dried. The problem can be eliminated by adding a few drops of pine oil soap into a bucket of rinsing water, which will soften it.

Useful tip: Water and lime stains on stainless steel rails and handles disappear when you apply some *Lemon Pled* furniture spray.

Useful tip: If the boat's ropes smell bad after the season, immerse them for a couple of hours in a bucket of water with a bottle of apple vinegar and a splash of fabric conditioner added. Allow the lines to dry properly, and they will be as good as new.

NOTE! Make sure that the cleaning, polishing and protective agents you use are suitable for the surfaces you will treat with them. Always follow the chemical manufacturer's instructions.

6.2 Care instructions for seat cushions

Always use the canopy or harbour cover when it is raining. Although the seat cushions are made of water-resistant material, water can get in through their seams. If the cushions remain damp for any length of time, they may get mouldy and be ruined. If the mattresses get wet, the fabric can be removed by unzipping the mattress and dried, for instance, in the sun, at room temperature or in a sauna (max + 50 °C). The warranty does not cover cushions spoiled by rain or damp.

NOTE! To keep the seat cushions in good condition over the winter, they must be stored in a dry and well-ventilated place.

NOTE! Wet cushions should not be placed in storage, because they gather mould.

NOTE! Single seats must be covered with seat covers when boat is not in use. If seats have got wet during the use of the boat, they must be dried carefully before covering.

The press studs of the seat cushions should be sprayed with silicon vaseline every now and then; otherwise, they may become so tight that the fabric will tear when trying to open them. The warranty does not cover ripped seat cushions. Use very little silicon vaseline at a time in order not to stain the cushions.

6.3 Care instructions for the canopy

Store the canopy over winter in a dry and well-ventilated place.
The warranty does not cover a torn canopy.

6.4 Care instructions for the windshield

The boat's windshield is made of tempered glass and it can be cleaned with ordinary glass cleaners.

Useful tip: When wiping the boat's windshield dry after cleaning, avoid using circular motions. This can leave circular smudges on the windshield that become visible in sunlight, impeding visibility. Wipe off any streaks with dry newspaper or cotton cloth using first horizontal, then vertical motions. Repeat this a few times and you'll bring the windshield to a brilliant shine.

6.5 Care instructions for the stainless steel components

To keep the boat's stainless steel parts, such as rails, handles and bollards, shining as good as new, the boat's owner should keep the parts clean and waxed. The edges of the mounting flanges of the rails should also be cleaned. Any dirt that remains under the edge of the flange will begin to look like rust. In regular use (i.e. no damage), the parts should be cleaned and waxed at least twice every summer. The rails should also be cleaned and waxed in autumn, when the boat is put into winter storage.

6.6 Care instructions for the remote control

Normally, the remote control needs no other maintenance apart from greasing and calibration during winter servicing. If the remote control becomes stiff for any reason, it needs to be serviced immediately.

6.7 Care instructions for the steering system

The hydraulic steering does not require maintenance under normal circumstances. If the steering starts feeling "loose", there is a leak in the system. The leak must be repaired immediately!

WARNING!

A hydraulic steering system with a leak or air in the system is extremely dangerous.

6.8 Care instructions for electrical components

Electrical components like main switches, other switches and couplings do not normally need to be serviced if the boat is stored in a dry and well-ventilated place for the winter. If, however, you wish to protect electrical components against oxidation, the best way to do it is by spraying them every now and then with a moisture repellent antioxidant.

6.9 Minor superficial repairs

You can repair minor surface damage to the boat's deck yourself. However, achieving a neat, unnoticeable repair requires a considerable amount of skill:

1. Protect the area around the damage with tape.
2. Bevel the edges of the damaged area and clean with acetone.
3. If the damage is deeper than 2 mm, it is advisable to smooth it with an appropriate polyfiller before painting.
4. Mix topcoat with 1.5-2% hardener.
5. Fill the repair with more topcoat than needed, so that its surface remains slightly proud of the surrounding area.
6. Carefully put tape over the repair.
7. After the topcoat has hardened, remove the tape and sand the repair using 600 and 1200 paper applying water.
8. Buff using abrasive paste and wax.

The colours used on this boat are specified in the *technical specifications*. One point to consider is that a paint called gelcoat has been used in manufacturing the boat, but the surface is always repaired with a paint called topcoat. Gelcoat paint does not harden without a mould surface, whereas paraffin has been added to topcoat to allow it to harden.

WARNING!

Be careful when handling the hardening agent. If the hardening agent vessel/bottle leaks or if hardener falls on, e.g. a dirty floor or rag, there is a very high risk of fire. Do not throw rags or vessels containing topcoat/hardener mixture into the rubbish bin. Always use eye protection when handling topcoat or hardener. If you get hardener in your eyes, rinse them immediately with tap water and see a physician.

NOTE!

Post-delivery installations and alteration work may cause damage to the structure of the boat or impair safety if not performed correctly. Please contact the dealer if you are planning any modifications.

7 Winter storage

Preparing your boat for winter storage is an annual routine. Have your boat lifted in good time before the water freezes. Your boat is not designed for use in ice and it is not meant to be used in temperatures below zero (for example, the rainwater drainage system will freeze up). It is advisable to perform all maintenance, repair and inspection procedures in connection with placing the boat in winter storage.

Familiarise yourself with the service procedures shown in the engine manual. We recommend that you leave them to an authorised service agent. Do not forget to service the remote control and steering system. Make sure to perform their maintenance according to their separate instructions and manuals.

7.1 Measures before winter storage

Have your boat lifted in good time before the water freezes. Your boat is not designed for being driven in ice, or for remaining in the water when it freezes.

Wash the bottom of the boat immediately after the boat has been lifted. Algae and slime will come off easier if they are not left to dry.

Give the engine and other equipment their winter servicing, following their separate manuals. If your boat is stored outside or in a humid place over the winter, empty it of textiles and other equipment that may corrode or become mouldy in damp conditions. Wash the ropes in fresh water. Replace any worn ropes. Leave bushing valves open. Remove the drain plug for the winter.

Electronic instruments are best protected against oxidation and theft by detaching them and removing them to a dry indoor environment for the winter. Detach the batteries and store them in a warm, dry place. Charge the batteries at least twice during the winter. Spray the couplings of the electrical system with an appropriate water repellent antioxidant.

Always cover your boat so that water or snow cannot collect inside. Always make sure, however, that it is adequately ventilated. A winter storage cover is available as an optional extra for your boat.

7.2 Measures before launching the boat

Repair possible damage to the gelcoat surface according to section 6.9.

In coastal areas, antifouling paint should be used to prevent the hull from becoming covered with vegetation. Fouling of the bottom and, especially, the propeller increases fuel consumption remarkably. However, if the boat is anchored at the inlet of a stream, in a land-locked lake, or if it is lifted out of the water at least once every two weeks, it is normally not necessary to use antifouling paint. Carefully follow the paint manufacturer's instructions when applying the paint. When sanding old antifouling paint, remember that the dust is toxic. Antifouling paint is not necessary in lake areas.

NOTE!

Do not apply any paint to the zinc anodes, depth finder sensor, or the piston rods of the hydraulic trim tabs. Do not apply paints containing copper or lead on aluminum parts. Remember to follow the paint manufacturer's instructions. The warranty does not cover damage caused to the hull by antifouling paint containing lead or copper.

Useful tip:

Do not throw away a used paint brush. A hardened antifouling paint brush can be reused if you first soak it for a couple of hours in a mix of 2 litres hot water, 100 ml vinegar and 50 ml baking powder.

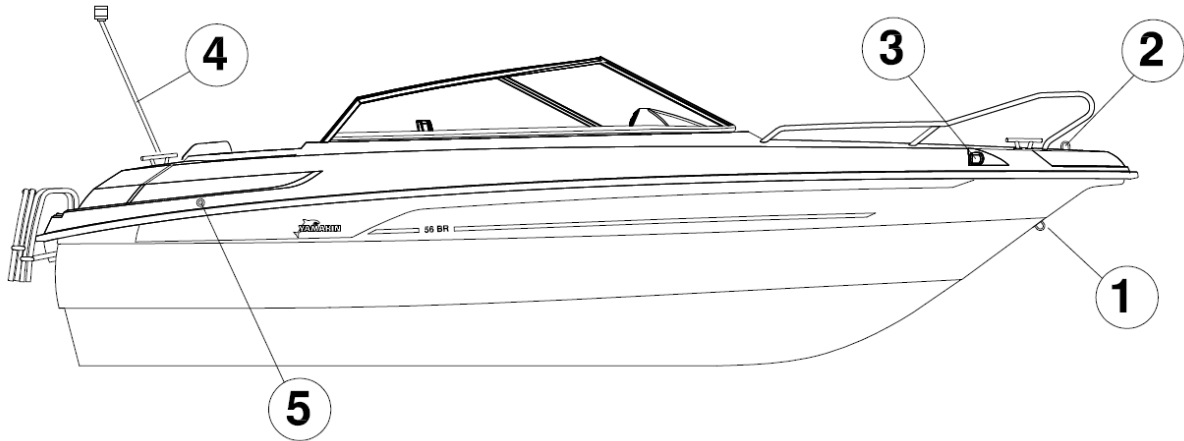
Perform the necessary service procedures required for the engine according to the engine manual. Check the functioning of electric equipment and remove possible oxidation from fuse connectors etc.

Remember that petrol goes stale over time, and you must always start the engine with fresh petrol in the spring.

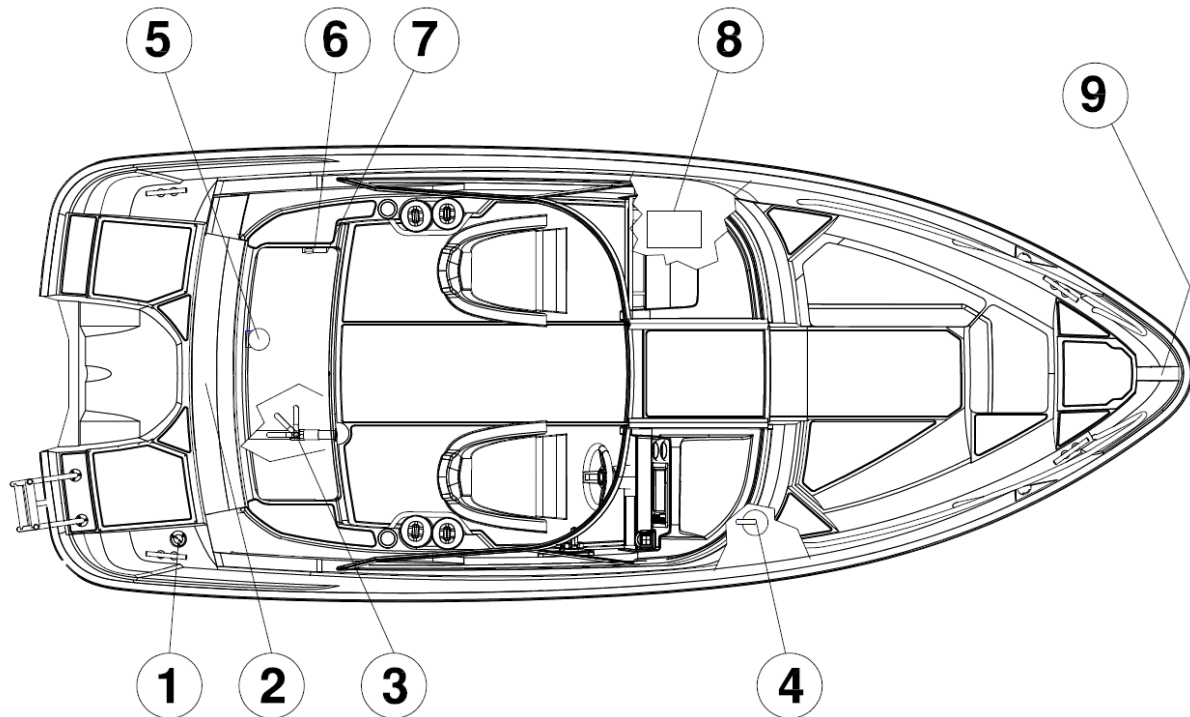
When the boat has been launched you should open all hull bushings and check to ensure that there are no leaking hoses or connectors. The locations of the through fittings are presented in Chapter 5. Bring your safety equipment back on board before setting out.

8 Lay-out

8.1 General lay-out



- | | |
|------------------------------|-------------------|
| 1. Trailer hook | 4. Light mast |
| 2. Hook for locking the boat | 5. Fuel tank vent |
| 3. Navigation light | |



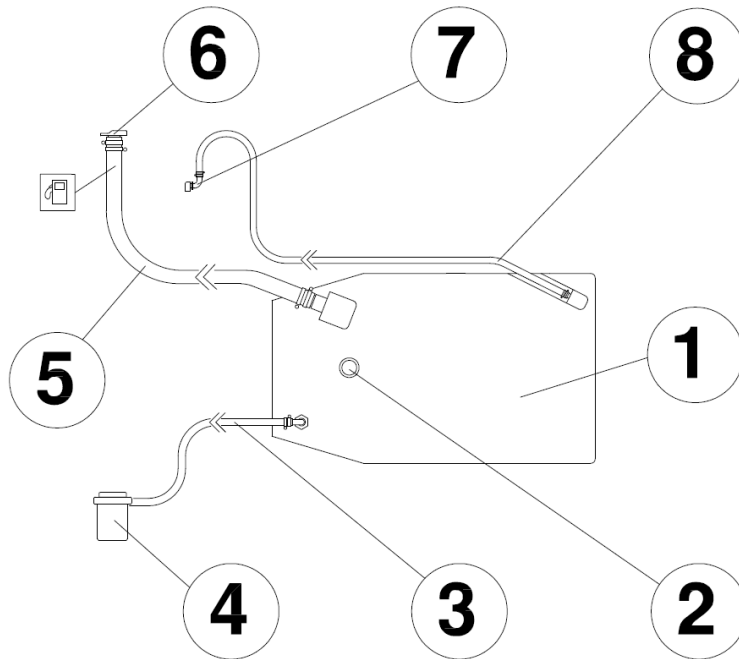
- | | |
|---------------------------------------|----------------|
| 1. Fuel refill | 5. Fuel filter |
| 2. Canopy compartment | 6. Main switch |
| 3. Rainwater drainage valve | 7. Fuse panel |
| 4. Fire extinguisher | 8. Battery |
| 9. Bow anchor winch (accessory) mount | |

WARNING!

Handle the boat's hatches with care and watch your fingers and toes.

8.2 Fuel system

The boat is equipped with a built-in fuel tank. A fuel filter is installed in the fuel line, also functioning as a water separator. The filter must be changed at least once a year. Each time the filter is replaced, the fuel line must be filled using its ball pump before starting the engine.



- | | |
|---------------------|----------------------------|
| 1. Fuel tank | 5. Fuel refill hose |
| 2. Fuel tank sensor | 6. Fuel refill |
| 3. Fuel feed hose | 7. Fuel tank vent |
| 4. Fuel filter | 8. Fuel tank breather hose |

8.3 Steering system

The boat is equipped with hydraulic steering.
The length of the steering cable is 5.5 metres.

NOTE!

If you want to replace a component in the steering system, please note that all components must conform to the ISO 10592 standard and carry the CE mark.

8.4 Electrical system

The boat's electrical system consists of the following main parts:

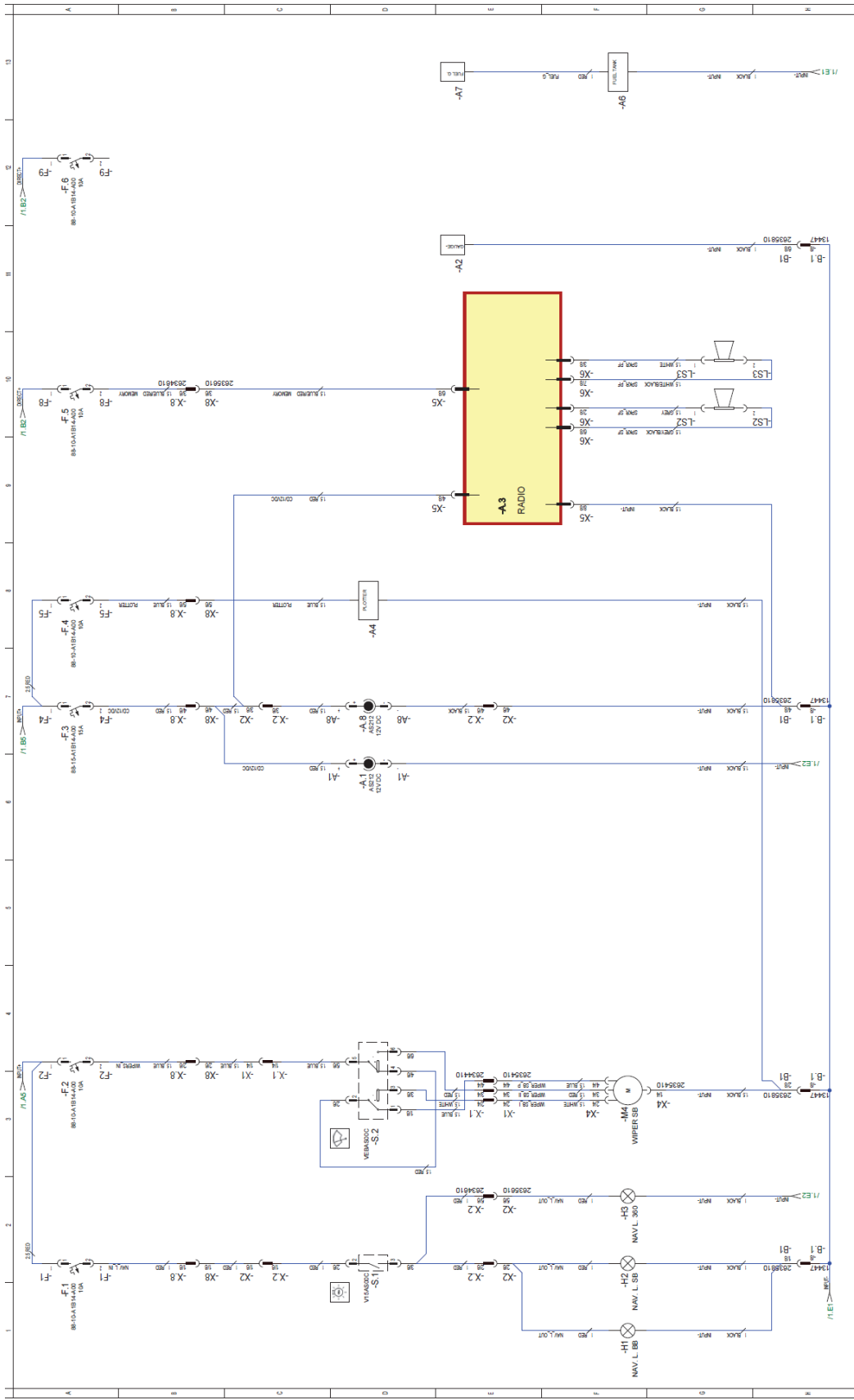
1. Wire harness
2. Main switch
3. 2 pcs switches
4. 2 pcs 12V power outlets
5. Navigation lights

In addition, the engine is an essential part of the boat's electrical system, which functions both as a power source and a consumer of power.

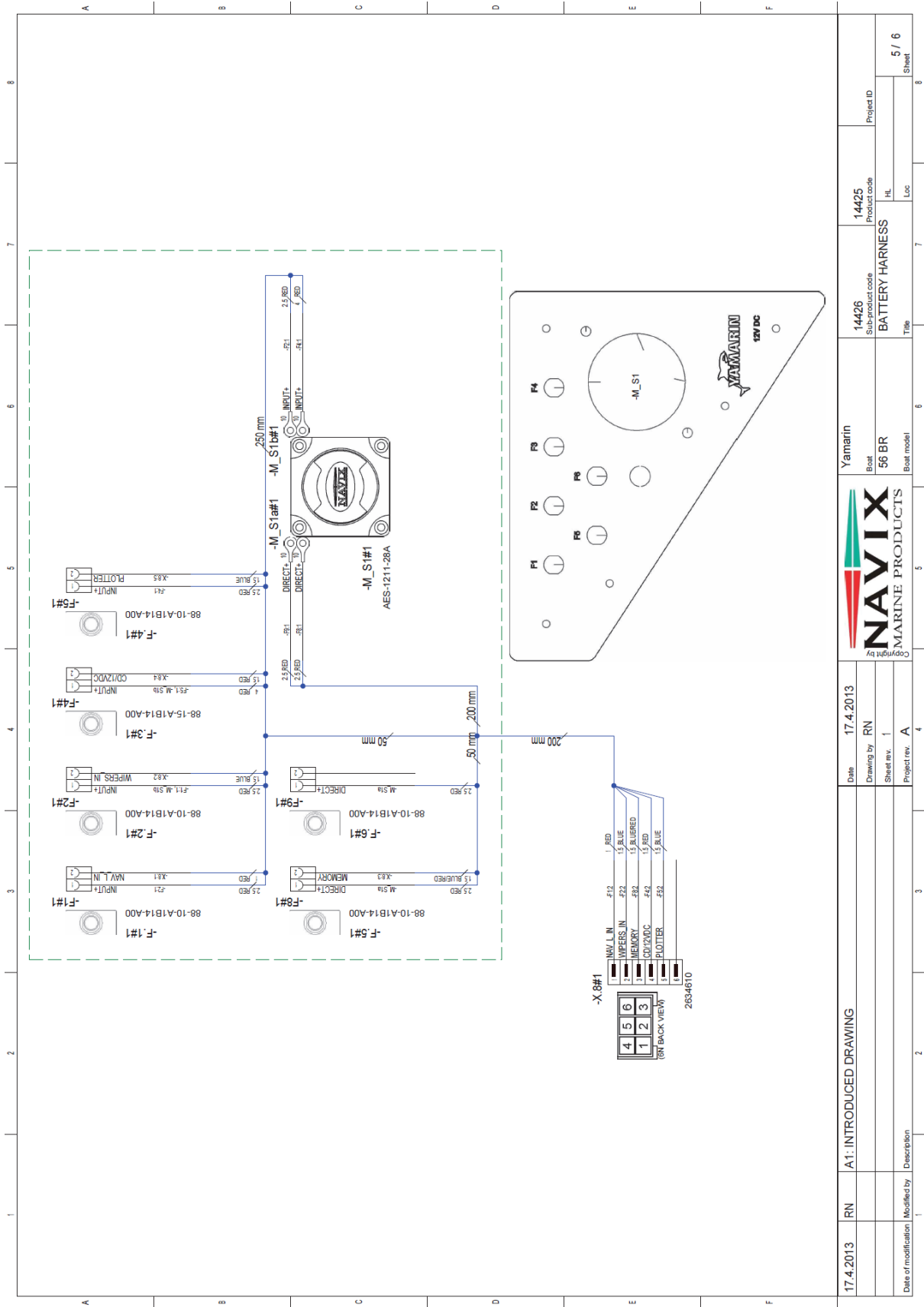
Switch off the main switch when leaving the boat for a long period of time. Remember also to switch off the main switch before making any electrical installations.

If you connect or disconnect the battery, take care not to touch both battery terminals with a metal object at the same time. Please remember to observe caution in other respects as well if you have to charge the battery with a separate charger. Recharging with an overly large current creates a risk of explosion.

Do not alter the onboard electric system or relevant drawings; alterations and maintenance work have to be carried out by a professional.



17.4.2013 RN	A1: INTRODUCED DRAWING	Date	17.4.2013	Yamarin	56 BR	Sub-product code	DIAGRAM	Product code	2 / 6
		Drawing by	RN	Boat				HL	
		Sheet rev.	1	Copyright by				Loc	Sheet
		Project rev.	A	NAVIX MARINE PRODUCTS	System ID		Title		
Date of modification	Modified by	Description							



-X.6#1

4	5	6
1	2	3

(ON BACK VIEW)

2634610

1	NAV.L IN	F12	15 RED
2	WIPERS IN	F22	15 BLUE
3	MEMORY	F32	15 BLUE/RED
4	CD/2DC	F42	15 RED
5	PLOTTER	F52	15 BLUE

17.4.2013	RN	A1: INTRODUCED DRAWING	Yamarin	14426	14425	Project ID
Date	Drawing by		Boat	Sub-product code	Product code	
			56 BR	BATTERY HARNESS		
	Sheet rev.	1	Boat model		HL	5 / 6
	Project rev.	A			Loc	Sheet
Date of modification	Modified by	Description				

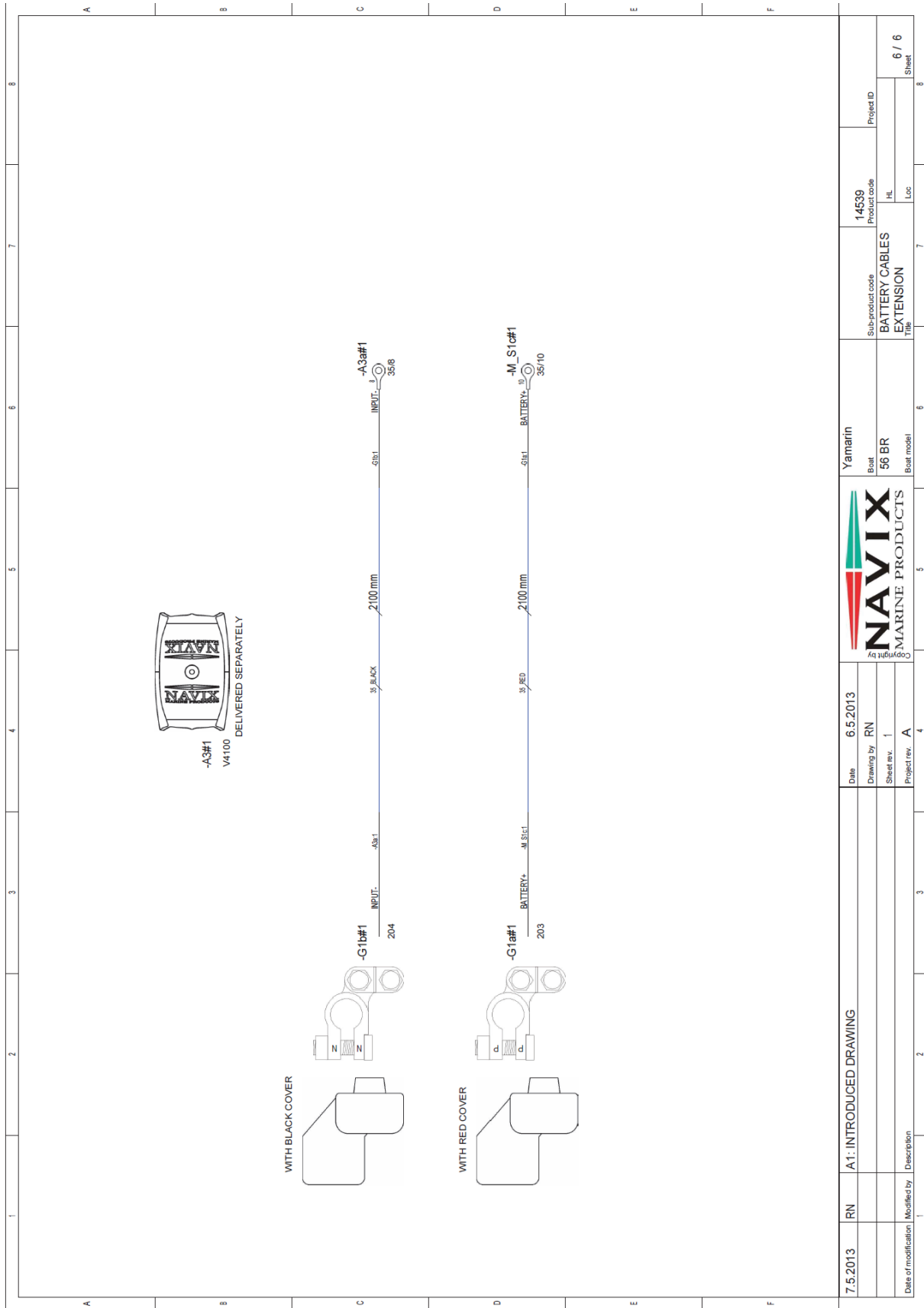


Image: Wiring diagram.

7.5.2013	RN	A1: INTRODUCED DRAWING	Date	6.5.2013	Yamarin	14639	6 / 6
			Drawing by	RN	Boat	Product code	Project ID
			Sheet rev.	1	56 BR	Sub-product code	HL
			Project rev.	A	56 BR	BATTERY CABLES	Loc
					EXTENSION	Title	Sheet