



**Yamarin 60 Day Cruiser**

**2020->**

**Owner's manual  
Käyttäjän käsikirja  
Användarhandbok**





**Yamarin 60 Day Cruiser  
Owner's manual**

## FOREWORD

Congratulations on choosing a Yamarin 60 Bow Rider! We are delighted to welcome you as a Yamarin owner.

The intention of this manual is to help you to operate your craft safely, with maximum enjoyment. The manual contains details of the craft, the equipment supplied or fitted, its systems and information on its operation, care and maintenance. Please read it carefully, and familiarise yourself with the craft before using it.

Naturally, the owner's manual is not a course on boating safety or seamanship. If this is your first craft, or you are changing to a type of craft you are not familiar with, for your own comfort and safety, please ensure that you obtain handling and operating experience before "assuming command" of the craft. Your dealer or national sailing association or yacht club will be pleased to advise you of local boating schools, or competent instructors.

This owner's manual is not a detailed maintenance or trouble shooting guide. In case of difficulty please contact the dealer. Always use qualified and competent people for the maintenance, repair and modification of the boat. Modifications that may affect the safety characteristics of the craft shall be assessed, executed and documented by competent people. The manufacturer is not responsible for modifications he has not approved.

Always keep your boat in a good condition and be aware that the boat requires maintenance and servicing. Any craft – no matter how strong it may be, can be severely damaged if not used properly. Always adjust the speed and direction of the craft to sea conditions.

All persons should wear a suitable buoyancy aid (Life jacket/Personal Flotation Device) when on deck.

**We wish you many enjoyable times on-board your Yamarin 60 Bow Rider!**

Inhan Tehtaat, Inha Works  
Hahdenniementie 2  
FI-21120 Raisio  
Finland

[www.yamarin.com](http://www.yamarin.com)

PLEASE KEEP THIS MANUAL IN A SECURE PLACE, AND HAND IT OVER TO THE NEW OWNER IF YOU SELL THE CRAFT.



# Contents

9	General
9	Definitions
9	Warranty
10	Before use
10	Registration
10	Insurance
10	Training
10	Characteristics and use of your boat
10	General
10	Basic data
12	Technical specifications
13	Maximum recommended number of passengers
14	Loading
14	Engine and propeller
14	Prevention of water incursion and stability
14	Hull and deck thru fittings and closing valves
16	Stability and buoyancy
16	Avoiding the risk of fire or danger of explosion
16	Refuelling
16	Fire protection
17	Main switch and fuses
18	Operation
18	Controls
18	Emergency switch
18	Gearshift and throttle
18	Adjusting of trim angle
19	Starting the engine
19	Driving
20	Approaching and leaving the dock
21	Using the canopy
21	Windshield front door
21	Proper use – other recommendations and guidelines
21	Man-overboard
22S	Securing loose equipment
22	Respect for the environment
22	Anchoring and mooring
23	Towing
24	Trailer transport
24	Docking
25	Servicing and maintenance
25	Washing and cleaning the boat
25	Care instructions for seat cushions
26	Care instructions for the teak deck
26	Care instructions for the synthetic teak deck
27	Care instructions for the canopy
27	Care instructions for the windshield
27	Care instructions for the stainless steel components
27	Care instructions for the remote control
27	Care instructions for the steering system
27	Care instructions for the electrical components
28	Minor superficial repairs
28	Winter storage
28	Procedures before winter storage
29	Procedures before launching
30	Lay-out
30	General lay-out
31	Fuel system
31	Steering system
32	Circuit diagrams

## EU Declaration of Conformity of Recreational Craft with the Design, Construction and Noise Emission requirements of Directive 2013/53/EU

(To be completed by manufacturer or if mandated, authorised representative)

Name of recreational craft manufacturer: Inhan Tehtaat Oy Ab, Inha Works Ltd.

Address: Hahdenniementie 2

Town: Raisio Post Code: 20810 Country: Finland

Name of authorised representative (if applicable): \_\_\_\_\_

Address: \_\_\_\_\_

Town: \_\_\_\_\_ Post Code: \_\_\_\_\_ Country: \_\_\_\_\_

Module used for design and construction assessment:  A  A1  B+C  B+D  B+E  B+F  G  H

Name of Notified Body for design and construction assessment (if applicable): DNV GL SE

Address: Brooktorikai 18

Town: Hamburg Post Code: 20416 Country: Germany ID Number: 0098

Notified Body certificate<sup>1</sup> number (if applicable): RCDB00000A6 Date: 1/2020

Module used for noise emission assessment (if applicable):  A  A1  G  H

Name of Notified Body for noise emission assessment (if applicable): \_\_\_\_\_

Address: \_\_\_\_\_

Town: \_\_\_\_\_ Post Code: \_\_\_\_\_ Country: \_\_\_\_\_ ID Number: \_\_\_\_\_

Notified Body certificate<sup>1</sup> number (if applicable): \_\_\_\_\_ Date: \_\_\_\_\_

Other Community Directives applied: \_\_\_\_\_

### DESCRIPTION OF RECREATIONAL CRAFT:

Watercraft Identification Number: FI - YAM

Brand name of the Recreational Craft: Yamarin Model or Type: 60 Day Cruiser

Type of construction:  
 Rigid  Inflatable  Rigid-Inflatable (RIB)

Type of hull:  
 Monohull  Multihull

Hull construction material:  
 Aluminium, aluminium alloys  Moulded Fibre Reinforced Plastic  
 Steel, steel alloys  Wood  
 Other (specify): \_\_\_\_\_

Recreational Craft Design category(-ies) related to the maximum recommended number of persons:

Category	Number of Persons	Max Load [kg]
A		
B		
C	6	870
D		

Length of hull L<sub>H</sub> 6,06 m  
 Beam of hull B<sub>H</sub> 2,22 m  
 Maximum Draught T: 0,39 m

Deck:  
 Fully enclosed  
 Partially protected  
 Open


Craft main propulsion:  
 Sail, projected sail area A<sub>s</sub>: \_\_\_\_\_ m<sup>2</sup>  
 Human propulsion  
 Engine/motor propulsion  
 Other (specify): \_\_\_\_\_

Installed engine type (if applicable):  
 Internal combustion, Diesel (CI)  
 Internal combustion, Petrol (SI)  
 Internal combustion, LPG/CNG  
 Electric  
 Other (specify): \_\_\_\_\_

Installed propulsion type (if applicable):  
 Outboard  
 Inboard with shaft line  
 Z or Stern drive  
 Pod-drive  
 Sail-drive  
 Other (specify): \_\_\_\_\_

Integral exhaust propulsion (if applicable):  Yes  No  
 Maximum Recommended engine power: 86 kW  
 Installed engine power: \_\_\_\_\_ kW  
 Number of propulsion engines: 1 #  
 Maximum recommended engine mass<sup>2</sup>: 235 kg

This declaration of conformity is issued under the sole responsibility of the manufacturer. I declare on behalf of the manufacturer that the recreational craft mentioned above fulfils the requirements specified in Article 4 (1) and Annex I of Directive 2013/53/EU.

Name and function: Juha Lehtola, CEO Signature and title:   
 (identification of the person empowered to sign on behalf of the manufacturer or his authorised representative) (or an equivalent marking)

Date and place of issue (dd/mm/yyyy): 20.12.2019

<sup>1</sup> The document may have a different name according to each module (A1: Stability and buoyancy report, B: EC type examination certificate, G: Certificate of conformity, etc.)  
<sup>2</sup> For outboard powered boats only

Essential requirements  (reference to relevant articles in Annex IA & IC of the Directive)	Harmonised standards Full Application	Harmonised standards Partial application, see tech. file	Other reference documents <sup>3</sup> Full Application	Other reference documents Partial Application, see tech. file	Other proof of conformity See technical file	Specify the harmonised <sup>4</sup> standards or other reference documents used  (with year of publication like "EN ISO 8666:2002")
	<b>Tick only one box per line</b>					<b>All lines right of ticked boxes must be filled in</b>
<b>General requirements (2)</b>						
Principal data – main dimensions	<input checked="" type="checkbox"/>					ISO 8666:2002
Watercraft Identification Number – WIN (2.1)	<input checked="" type="checkbox"/>					EN ISO 10087:2006
Watercraft Builder's Plate (2.2)	<input checked="" type="checkbox"/>	<input type="checkbox"/>	<input type="checkbox"/>	<input type="checkbox"/>	<input type="checkbox"/>	2013/53/EU1A-2.2
Protection from falling overboard and means of reboarding (2.3)	<input checked="" type="checkbox"/>	<input type="checkbox"/>	<input type="checkbox"/>	<input type="checkbox"/>	<input type="checkbox"/>	EN ISO 15085:2003+A2:2018
Visibility from the main steering position (2.4)	<input checked="" type="checkbox"/>	<input type="checkbox"/>	<input type="checkbox"/>	<input type="checkbox"/>	<input type="checkbox"/>	EN ISO 11591: 2016
Owner's manual (2.5)	<input checked="" type="checkbox"/>	<input type="checkbox"/>	<input type="checkbox"/>	<input type="checkbox"/>	<input type="checkbox"/>	EN ISO 10240:2004 + A1 2015
<b>Integrity and structural requirements (3)</b>						
Structure (3.1)	<input checked="" type="checkbox"/>	<input type="checkbox"/>	<input type="checkbox"/>	<input type="checkbox"/>	<input type="checkbox"/>	EN ISO 12215-1:2018, EN ISO 12215-2:2018, EN ISO 12215-3:2018, EN ISO 12215-4:2018
Stability and freeboard (3.2)	<input checked="" type="checkbox"/>	<input type="checkbox"/>	<input type="checkbox"/>	<input type="checkbox"/>	<input type="checkbox"/>	EN ISO 12217-1:2017, EN ISO 12217-3:2017
Buoyancy and flotation (3.3)	<input checked="" type="checkbox"/>	<input type="checkbox"/>	<input type="checkbox"/>	<input type="checkbox"/>	<input type="checkbox"/>	EN ISO 12217-1:2017, EN ISO 12217-3:2017
Openings in hull, deck and superstructure (3.4)	<input checked="" type="checkbox"/>	<input type="checkbox"/>	<input type="checkbox"/>	<input type="checkbox"/>	<input type="checkbox"/>	EN ISO 9093-1:2018, EN ISO 12216:2018
Flooding (3.5)	<input checked="" type="checkbox"/>	<input type="checkbox"/>	<input type="checkbox"/>	<input type="checkbox"/>	<input type="checkbox"/>	EN ISO 11812:2018, EN ISO 15083:2018
Manufacturer's maximum recommended load (3.6)	<input checked="" type="checkbox"/>	<input type="checkbox"/>	<input type="checkbox"/>	<input type="checkbox"/>	<input type="checkbox"/>	EN ISO 14946:2001 / AC:2005
Liferaft stowage (3.7)	<input checked="" type="checkbox"/>	<input type="checkbox"/>	<input type="checkbox"/>	<input type="checkbox"/>	<input type="checkbox"/>	RCD Annex I 3.7
Escape (3.8)	<input type="checkbox"/>	<input type="checkbox"/>	<input type="checkbox"/>	<input type="checkbox"/>	<input type="checkbox"/>	EN ISO 9094:2017
Anchoring, mooring and towing (3.9)	<input checked="" type="checkbox"/>	<input type="checkbox"/>	<input type="checkbox"/>	<input type="checkbox"/>	<input type="checkbox"/>	EN ISO 15084:2018
<b>Handling characteristics (4)</b>	<input checked="" type="checkbox"/>	<input type="checkbox"/>	<input type="checkbox"/>	<input type="checkbox"/>	<input type="checkbox"/>	EN ISO 11592-1:2016, RCD Annex I 4
<b>Engines and engine spaces (5.1)</b>						
Inboard engine (5.1.1)	<input type="checkbox"/>	<input type="checkbox"/>	<input type="checkbox"/>	<input type="checkbox"/>	<input type="checkbox"/>	
Ventilation (5.1.2)	<input type="checkbox"/>	<input type="checkbox"/>	<input type="checkbox"/>	<input type="checkbox"/>	<input type="checkbox"/>	
Exposed parts (5.1.3)	<input type="checkbox"/>	<input type="checkbox"/>	<input type="checkbox"/>	<input type="checkbox"/>	<input type="checkbox"/>	
Outboard engine starting (5.1.4)	<input type="checkbox"/>	<input type="checkbox"/>	<input type="checkbox"/>	<input type="checkbox"/>	<input type="checkbox"/>	
<b>Fuel system (5.2)</b>						
General – fuel system (5.2.1)	<input checked="" type="checkbox"/>	<input type="checkbox"/>	<input type="checkbox"/>	<input type="checkbox"/>	<input type="checkbox"/>	EN ISO 8469: 2018, EN ISO 10088:2017
Fuel tanks (5.2.2)	<input checked="" type="checkbox"/>	<input type="checkbox"/>	<input type="checkbox"/>	<input type="checkbox"/>	<input type="checkbox"/>	EN ISO 21487:2018
<b>Electrical systems (5.3)</b>	<input checked="" type="checkbox"/>	<input type="checkbox"/>	<input type="checkbox"/>	<input type="checkbox"/>	<input type="checkbox"/>	EN ISO 8849:2018, EN ISO 10133:2017, EN ISO 13297:2018
<b>Steering systems (5.4)</b>						
General – steering system (5.4.1)	<input checked="" type="checkbox"/>	<input type="checkbox"/>	<input type="checkbox"/>	<input type="checkbox"/>	<input type="checkbox"/>	EN ISO 8847:2017, EN ISO 10592:2017, EN ISO 25197:2018, EN ISO 8848:2017
Emergency arrangements (5.4.2)	<input type="checkbox"/>	<input type="checkbox"/>	<input type="checkbox"/>	<input type="checkbox"/>	<input type="checkbox"/>	
<b>Gas systems (5.5)</b>	<input checked="" type="checkbox"/>	<input type="checkbox"/>	<input type="checkbox"/>	<input type="checkbox"/>	<input type="checkbox"/>	EN IEN ISO 10239:2017
<b>Fire protection (5.6)</b>						
General – fire protection (5.6.1)	<input checked="" type="checkbox"/>	<input type="checkbox"/>	<input type="checkbox"/>	<input type="checkbox"/>	<input type="checkbox"/>	EN ISO 9094:2017
Fire-fighting equipment (5.6.2)	<input checked="" type="checkbox"/>	<input type="checkbox"/>	<input type="checkbox"/>	<input type="checkbox"/>	<input type="checkbox"/>	EN ISO 9094:2017
<b>Navigation lights, shapes and sound signals (5.7)</b>	<input checked="" type="checkbox"/>	<input type="checkbox"/>	<input type="checkbox"/>	<input type="checkbox"/>	<input type="checkbox"/>	EN ISO 16EN ISO 16180:2018, 1972 COLREG
<b>Discharge prevention (5.8)</b>	<input type="checkbox"/>	<input type="checkbox"/>	<input type="checkbox"/>	<input type="checkbox"/>	<input type="checkbox"/>	
<b>Annex I.B – Exhaust Emissions<sup>5</sup></b>						
<b>Annex I.C – Noise Emissions<sup>6</sup></b>						
Noise emissions level (I.C.1)	<input type="checkbox"/>	<input type="checkbox"/>	<input type="checkbox"/>	<input type="checkbox"/>	<input type="checkbox"/>	
Owner's manual (I.C.2)	<input type="checkbox"/>	<input type="checkbox"/>	<input type="checkbox"/>	<input type="checkbox"/>	<input type="checkbox"/>	

<sup>3</sup> Such as non-harmonised standards, rules, regulations, guidelines, etc.

<sup>4</sup> Standards published in EU Official Journal

<sup>5</sup> See Declaration of Conformity of engine manufacturer

<sup>6</sup> Only to be completed for boats with inboard engines or sterndrive engines without integral exhaust

## **BEFORE YOU SET OFF**

### **Familiarise yourself with this owner's manual.**

Always check at least the following items before leaving:

### **Weather conditions and forecast**

Take the wind, waves and visibility into account. Are the design category, size and equipment of your boat, as well as the skills of the skipper and crew adequate for the water area you are aiming for? During use, hull windows and other hatches must be battened down to prevent water incursion  
Loading and stability

Do not overload the craft and distribute loads appropriately. To avoid impairment of the craft's stability, do not place heavy items high up. Please consider that the stability of the boat is reduced if people stand up when on-board during use.

### **Passengers**

Ensure that there is Personal Flotation Device or Lifejackets for all people on-board. Agree crew tasks before setting off.

### **Fuel and fuel system**

Make sure that the boat has enough fuel. Keep in mind that rough conditions at sea impact on fuel consumption and that it can increase by more than 30% when compared to calm conditions. As a rule of thumb you should aim for there being at least 20% left in the tank when arriving at your destination. Regularly check the fuel filter to ensure that there is no water in the moisture trap located under the fuel filter itself. The fuel filter should be changed 1-2 times per year depending on engine hours and quality of fuel.

### **Engine and manoeuvring equipment**

Check the function and condition of steering, batteries and remote control and carry out routine checks according to the engine manual

### **Boat's seaworthiness**

Check the boat's seaworthiness: no fuel or water leaks are permitted, safety equipment must be available on-board etc. Check that there is no water in the bilge!

### **Fastening of equipment**

Check that all equipment and heavy items are positioned so that they are held in place during travel at sea and high winds. Please note that the seat cushions may fly over board if they are not fixed properly with press studs.

### **Nautical charts**

If you are not navigating in familiar waters, ensure you have nautical charts on-board that cover a large enough area. If your boat is equipped with a chart plotter, familiarise yourself with it before setting off. Ensure that the plotter charts are of the latest edition

### **Leaving the berth**

Agree with the crew who will release each mooring line, etc. Be careful not to let mooring lines or the anchoring line to tangle in the propeller during manoeuvring.

### **Obligatory equipment**

What is considered obligatory equipment varies from country to country. Find out what is required for your boat.

You will find additional instructions concerning the engine in a separate manual.

## 1. General

The owner's manual will help you to become familiarised with the properties and features of your new boat, as well as with its care and maintenance. Separate manuals for installed equipment are attached and are referred to in many sections of the owner's manual. You can, of course, complement this owner's manual by adding the manuals of devices which are installed afterwards. There is also space for your own notes at the end of this manual.

The craft has a running serial number, CIN-code (Craft Identification Number). The CIN-code can be found on the starboard side of the transom just below the rub rail. We recommend that you write down the CIN-code in the declaration of conformity in this book. When contacting the dealer, please provide the CIN-code and the type of craft. This helps in delivering the correct spare parts.

## 2. Definitions

The warnings and cautions in this manual are defined as following:

- DANGER!** Denotes an extreme intrinsic hazard exists which would result in high probability of death or irreparable injury if proper precautions are not taken.
- WARNING!** Denotes a hazard exists which can result in injury or death if proper precautions are not taken.
- NOTE!** Denotes a reminder of safety practices or directs attention to unsafe practices which could result in personal injury or damage to the craft or components.

The units used in this manual are in accordance with the SI-system. In some cases other units have been added in brackets. An exception is the wind speed, where the Beaufort scale is used in the recreational craft directive.

## 3. Warranty

The boat and the equipment installed at the boat factory are guaranteed for 2 year, starting from the first day of use. Please contact your dealer in relation to any potential warranty issues. Please remember to provide the CIN-code! If possible, please provide a digital photograph of the subject of your claim. This usually speeds up the claims process.

## 4. Before use

### 4.1. Registration

Registration regulations vary from country to country. Find out what is required in relation to your own boat.

#### 4.1.1 Insurance

Boat insurance can compensate damage occurring on water or during transport and lifting. Check insurance liability separately when lifting the boat. Insurance also has an indirect effect on safety at sea: In the event of a serious accident or damage, you must, above all, concentrate on saving people. Insurance companies will be able to give more information about different insurance alternatives. Be particularly careful to check insurance liability when you lift and transport the boat!

#### 4.1.2 Training

No one is a born sailor. There is plenty of boating literature available. Navigation courses are arranged by local yacht clubs or national boating associations where you can gain basic skills. However, please remember that you only become confident in boat handling, navigation, docking and anchoring after long practical experience.

## 5. Characteristics and use of your boat

### 5.1. General

The owner's manual is not meant to be a complete service or repair manual, but to guide the user to know the characteristics of the boat and to use his/her boat in a proper way.

### 5.2. Basic data

Recreational crafts can be constructed according to 4 categories (A, B, C and D) according to the recreational craft directive 2013/53/EU. Yamarin 60 DC is constructed according to category C. Below you will find information on what each category means:

**Category A:** The boat is built for conditions where the wind can exceed 8 Beaufort (approx. 21 m/s) and where the significant height of the waves (please refer to note below) can exceed 4m. In such circumstances the boats are largely self-sufficient. Category A does not include abnormal conditions such as hurricanes. Such conditions may be encountered on extended voyages, for example across oceans, or in coastal areas where there is an open expanse of sea for several hundred nautical miles off the coast.

**Category B:** The boat is built for conditions where the wind reaches a maximum of 8 Beaufort (approx. 21 m/s) and where the significant height of the waves (please refer to note below) does not exceed 4m. Such conditions may be encountered on offshore voyages of sufficient length or on coastal waters when unsheltered from the wind and waves for several dozens of nautical miles. These conditions may also be experienced on inland seas of sufficient size for the wave height to be generated.

**Category C:** The boat is built for conditions where the wind reaches a maximum of 6 Beaufort (approx. 14 m/s) and where the significant height of the waves does not exceed 2 m (please refer

to note below). Such conditions may be encountered on exposed inland waters, in estuaries, and in coastal waters in moderate weather conditions.

**Category D:** The boat is built for conditions where the wind reaches a maximum of 4 Beaufort (approx. 8 m/s) and where the significant height of the waves (please refer to note below) does not exceed 0.3 m and the height of the greatest waves is no more than 0.5 m. Such conditions may be encountered on protected waters on lakes and in coastal areas during fine weather conditions.

**Note:**

Significant wave height is a term used when planning to build a boat. The significant wave height is the mean height of the highest one third of the waves, which approximately corresponds to the wave height estimated by an experienced observer. In the event that the significant wave height is 2.0 m the mean height of all waves is roughly 1.2 m.

**Maximum recommended load:**

See technical specifications  
Please also refer to section 5.4 "Loading".

**Main dimensions and capacities:**

See technical specifications  
Craft length, width, total weight etc. as well as tank capacities are shown in technical specifications.

**Builder's plate:**

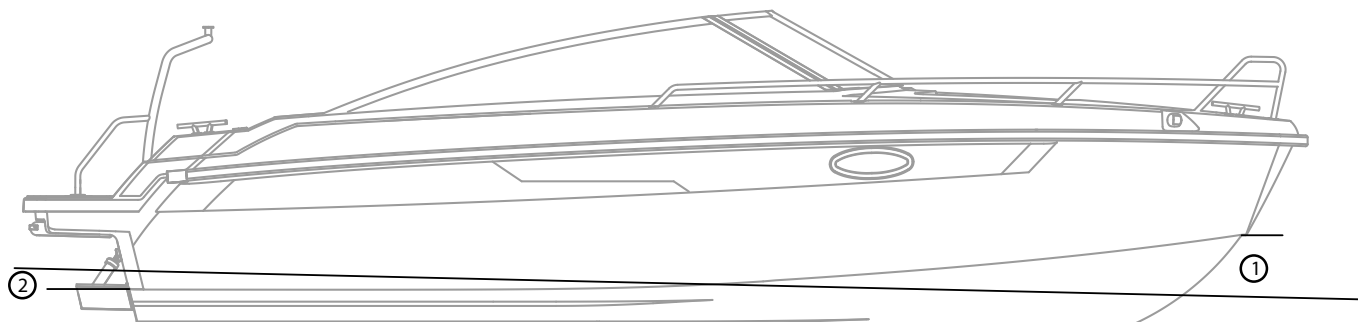
Part of the previously mentioned information is given on the builder's plate, which is affixed next to the driver's seat. A full explanation of this information is given in the relevant sections of this manual.

### 5.3. Technical specifications

Model	YAMARIN 60 DC
Design category	C
Overall length (swim ladder not included)	6.06 m
Width	2.22 m
Weight without engine, fluids and equipment	approx. 890 kg
Maximum load on builder's plate (CE sign)	870kg (6 Persons 450kg, Basic Equipment 15 kg, Liferaft 40 kg, Stores & Cargo 108kg + engine 259kg)
Maximum engine power	115 hp (86kw)
Weight of largest recommended engine	259 kg
Fuel tank capacity	105 litres
Maximum draught at full load, engine up	approx. 0.4 m
Maximum height from water line at light load	approx. 1.66 m
Construction material	Reinforced plastic
Colour codes: - Hull: - Deck	
Hydraulic hoses Remote control cables	
Reached speed at boat test	approx. 37 knots



## Yamarin 60 DC water line:



Water line:	
- At stern	130mm directly up from chine (2)
- At bow	470mm down from chine along the bow (1)

### NOTE!

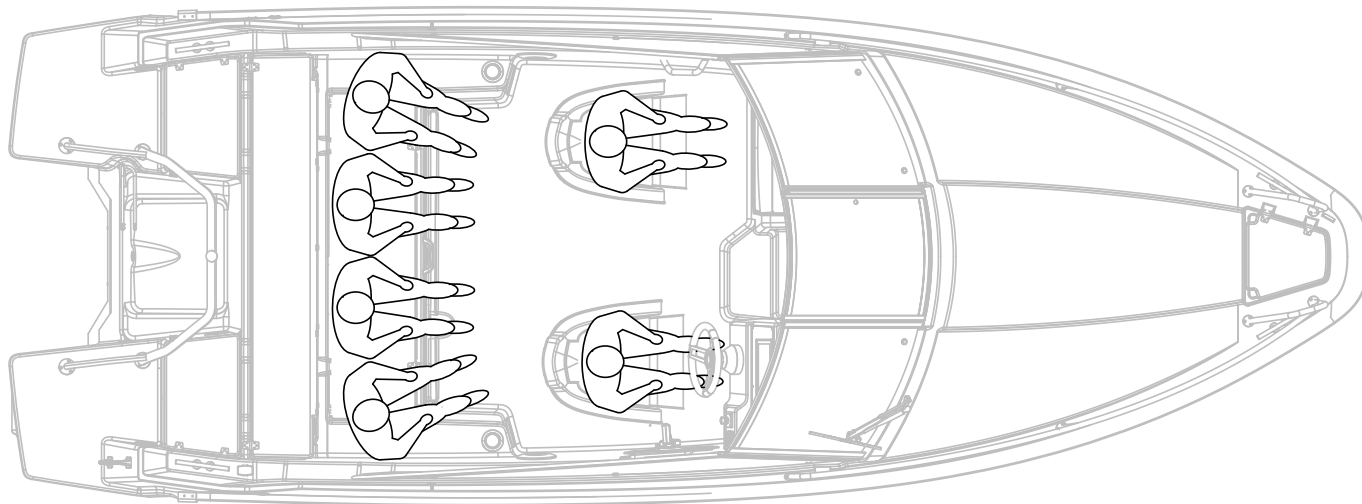
Water line dimension represents the upper limit for antifouling paint, not the actual water line.

## 5.4. Maximum recommended number of passengers

The maximum recommended number of passengers on board Yamarin 60 DC is 6 persons.

### WARNING!

Do not exceed the maximum recommended number of passengers. Regardless of the number of passengers the total weight of persons and equipment must never exceed the maximum recommended load (please refer to section 5.4 "Loading"). During the voyage all passengers must remain seated on the seats.



Seats of Yamarin 60 DC:

### NOTE!

If you load the boat from stern to bow, you will have better fuel economy.

## 5.5. Loading

The maximum permitted load for the Yamarin 60 DC is 690 kg. This load includes the following weights:

the total weight of passengers 450 kg  
(the default weight of an adult is assumed to be 75 kg and that of a child 37,5 kg)  
consumable liquids (fuel) in fixed tanks (165 L x 0,75kg) 79 kg  
Basic equipments 13kg  
Liferaft 40kg  
Stores & cargo 108kg

### **NOTE!**

The maximum permitted load includes only weights mentioned above.

### **WARNING!**

When loading the craft, never exceed the maximum recommended load. Always load the craft carefully and distribute loads appropriately (roughly an even keel). Heavy equipment should usually be placed in the storage compartment under the aft seat. Always avoid placing heavy weights high up.

## 5.6. Engine and propeller

The maximum recommended engine power for the Yamarin 60 DC is 115 hp (85 kW). The construction of the boat is not designed to bear more power than 115 hp. The maneuverability of the boat can be very dangerous if the boat has bigger than 115 hp engine. The warranty is not valid if boat is used with more power than 115 hp. Follow the dealer's instructions when choosing the propeller for your craft

## 5.7. Prevention of water incursion and stability

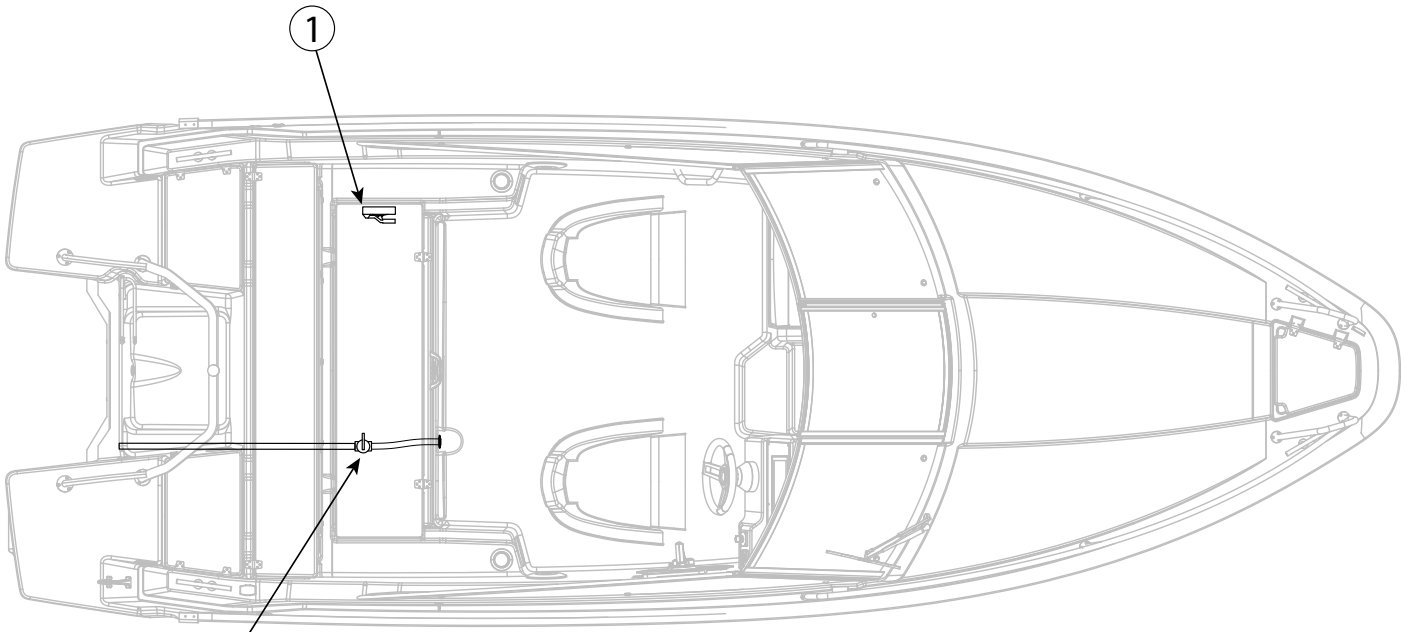
### 5.7.1 Hull and deck thru fittings and closing valves

The Yamarin 60 DC has a rainwater draining system, which means that rainwater is drained from the undecked part of the boat when the boat is on the water. The system also functions when the boat is out of water, provided that the bow is higher than the stern and closing valve is open. The closing valve (number 2 in the next picture) is located under the back seat. This drain valve is meant to be shut at maximum load to prevent potential water incursion. In other loading conditions the drain valve should remain open.

The boat has a hand pump shown in the picture below. The hand pump has a capacity of 0.5 l/pull.

The boat is equipped with high bilge water warning system. Warning system includes a float switch located in the bilge and a warning light located on the dashboard.

The owner of the boat is responsible for ensuring that there is at least one baler or bucket on the boat and that it has been secured.



- 1 Hand pump
- 2. Rain water drainage valve

**WARNING!**

The bilge pump system is not intended to cope with a leakage caused by running aground or other equivalent damage.

**PRECAUTION!**

Regularly check to ensure that there is no debris at the end of the suction hose for hand pump. The bilge pump suction hose is located in the rear end of bilge. You have a service access through rear compartments inspection hatch.

**WARNING!**

Always keep the drainpipe shut when its inboard end is constantly below the waterline due to the load. The shut-off flap on the transom only prevents water from entering the boat when reversing!

**NOTE!**

Make sure that water can flow unobstructed through the drainpipe. For instance, autumn leaves may obstruct the water flow, which can cause the boat to fill with water and sink. The bilge pump system does not work in conditions below 0°C.

**NOTE!**

There is always some amount of condensed water in the bilge. As the boat ages, there is a risk that a small amount of water may come through the hull bushings. Always remember to check the bilge, via the inspection hatch under the aft seat, before you leave the boat at quay or buoy and always before setting off. Have an authorised repair shop check for possible leaks.

**WARNING!**

The boat's handling properties may become extremely dangerous, if there is water in the bilge.

**WARNING!**

In rough weather, the hatches and drawers should be kept shut to minimise the risk of them filling with water.

## 5.7.2 Stability and buoyancy

Please note, that stability is reduced by any weight added high up. Any change in the distribution of the weight onboard may significantly affect the stability, trim and performance of your craft. However, please remember that large breaking waves always present a serious danger to stability.

The boat does not float if filled with water. In accordance with the Recreational Craft Directive boats with a length of 6 metres or more do not need to float if filled with water.

## 5.8. Avoiding the risk of fire or danger of explosion

### 5.8.1 Refuelling

Shut off the engine and extinguish any cigarettes before starting to refuel. During refuelling, do not use switches or appliances that can cause a spark.

If the nozzle shuts off while you are refuelling, you should rotate the nozzle by 90 degrees to prevent the jet from landing directly on the chain mounting screw.

Always keep a spare can of fuel onboard. A suitable place for stowing the spare can, especially considering fire safety, is either of the anchor boxes in the stern. There is no risk of gasified fuel coming into contact with battery compartments or the electrical system from either of these boxes.

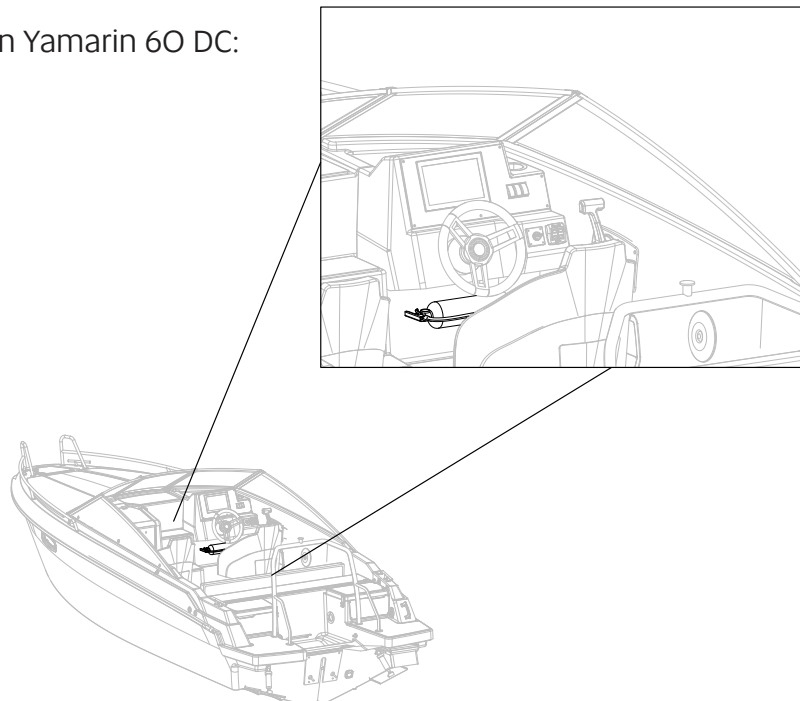
Do not stow any loose items under aft seat that, if moved, could prevent fuel from going to the engine. This is particularly important for items that may move against hoses running to or from the fuel filter. Check annually that the fuel hoses are not worn at lead-ins.

Please note that, depending on the trim of the boat or the boat's heeling angle, it might not be possible to use the full capacity of the tank.

### 5.8.2 Fire protection

The boat is equipped with a portable 2 kg fire extinguisher class 8A 68 B. The portable fire extinguisher must be serviced annually by an authorised inspector. In the event that the fire extinguisher is replaced the capacity of the new one should be the equivalent of the old one.

Location of fire extinguisher in Yamarin 60 DC:



Ensure that fire-fighting equipment is readily accessible even when the boat is loaded. Inform members of the crew about the location and operation of fire-fighting equipment.

Remember:

- Never block passages to exits and hatches
- Never hinder access to safety equipment, for instance the switches to the electric system.
- Never hinder access to fire extinguishers located in a box
- Never make changes to any of the boat's systems (especially the electricity or the fuel systems) or allow an unqualified person to make changes to any of the boat's systems
- Never smoke when handling petrol or gas.

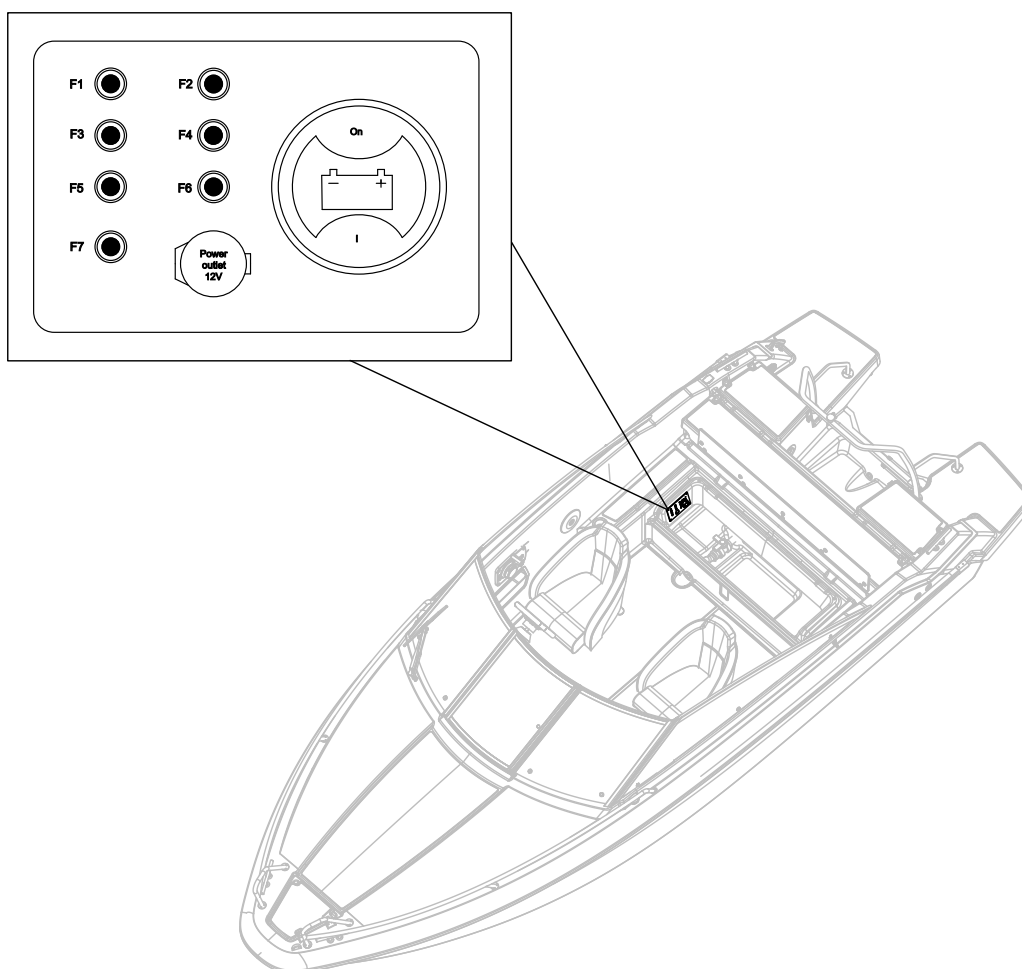
## 5.9. Main switch and fuses

Electric circuits fuses are located beneath the main power switch and to the fuse panel which is part of the instrumental panel. Do not change the fuse amperages or install any components that exceed the nominal amperage of the circuit in the electric system.

Yamarin 60 DC main switch:

In case of short-circuit current automatic fuse will trigger itself. You can "prime" it again by pressing it back in. If the automatic fuse releases itself again you have a short-circuit in your electric system or in some component, in which case please do contact an authorised service shop.

### NOTE!



Never switch off the main switch when the engine is running! This could cause serious damage to the engine's electrical system.

## 5.10. Operation

If this is your first boat or a boat type new to you, take someone with experience from a similar boat with you the first few times.

### NOTE!

The maximum propulsion power for Yamarin 60 DC is 85 kW (115 hp). Do not use the boat with bigger engine power than marked on the builder's plate.

## 5.11. Controls

You will quickly learn how to control your Yamarin 60 DC, but constantly changing weather conditions, like wind and waves, will always present new challenges for the driver. The remote control combines the functions of throttle, forward and reverse gears, and the adjusting of the engine trim angle. The boat has a hydraulic steering system.

### 5.11.1 Emergency switch

The emergency switch is a device with one end attached to the switch under the remote control and the other end to, for instance, your life vest. The emergency switch automatically switches off the engine when detached from the remote control. It is very important that the boat comes to a halt in the event that the driver, for whatever reason, loses his/her balance and is flung from the helm.

### NOTE!

Never take control of the boat without having attached the emergency switch to yourself. If you attach it to your arm, do not steer the boat with that hand, because the lanyard may twist around the steering wheel.

### NOTE!

The engine will not start if the emergency switch is not attached to the switch on the remote control.

### DANGER!

A rotating propeller presents a life-threatening danger to a swimmer or a person that has fallen overboard. Use an emergency switch to turn off the engine always when a swimmer or water skier is about to re-enter the boat from the water.

### 5.11.2 Gearshift and throttle

The engine is put into gear by pushing the button on the gear/throttle handle upwards with your fingers, and by pushing or pulling the gear/throttle lever forward or backward depending on which direction you are planning to set out. When the engine is in gear, you adjust the boat speed with the same gear/throttle lever.

When the boat is travelling forward slowly, you can use the reversing gear for braking, for instance, when approaching the quay. Shifting into reverse must not be done if the boat is travelling at higher speeds, because it damages the engine.

### 5.11.3 Adjusting of trim angle

The following are the main rules when adjusting the trim angle:

- When bringing the boat to plane, keep the "bow down" position

- When the boat is planing, and in the event that the sea is still, the bow is lifted until you can feel that both the engine and the boat move very easily. If engine is trimmed up too much, the speed of the boat is reduced. If the boat is trimmed too low, both boat and engine run heavily. To achieve good fuel economy it is important to drive the boat with the right engine trim angle.
- In a heavy sea lower the bow to allow it to slice through the waves better, thus providing a smoother ride.
- In following waves, raise the bow to avoid “diving” into the waves.

**WARNING!**

Do not drive the boat at high speeds with the engine trimmed up (bow up) as there is a risk of sudden heeling when the propeller hits the water again after a flight in heavy waves. Likewise do not drive at high speed with the engine completely trimmed down (bow down) since this can cause the boat to pitch unexpectedly when it hits the water.

**WARNING!**

Waves reduce manoeuvrability and make the boat heel. Take this into account by reducing the speed when encountering heavier seas.

### **5.11.4 Starting the engine**

1. Switch on the engine using the main switch.
2. Lower the engine to the driving position by pressing the Power Trim button on the gear/throttle handle.
3. Check that the gear/throttle handle is in the neutral position and that the emergency switch is attached to the bottom of the remote control.
4. Switch on the current, using the start key.
5. Start the engine by turning the ignition key clockwise, until it starts. If everything is correct the engine should start within 1-2 seconds. If the engine does not start you should not “crank” the starter engine for more than 10 seconds at any one time.
6. After the engine has started, let it idle for a few minutes before setting off. (Please refer to the engine manual!)

For more detailed information, please refer to the engine manual.

### **5.11.5 Driving**

It is easy to drive when the weather is fine and the sea is calm. Do not, however, forget the importance of keeping an adequate lookout. In order for the visibility from the driver’s seat to be as good as possible you should:

- ensure that passengers do not restrict your visibility
- do not drive near planing speed for long periods, as the bow up comes up and reduces visibility
- when visibility is poor, look over the windshield
- remember to also keep a lookout behind you, particularly in shipping lanes and heavily trafficked routes.

**NOTE!**

Use proper navigation lights after dark.

Always adjust your speed to the conditions and the environment. Take into account the following:

- waves (also consult the passengers about a comfortable speed)
- your own bow wake (greatest at planing speed, least at speeds under 5 knots)



- visibility (islands, fog, rain, driving against the sun)
- familiarity with the route (sufficient time for navigation)
- the width of the route (other traffic, noise and wash on shore)
- make sure, that there is always sufficient distance to avoid collision. Distance must be so big that there is time to stop the boat or to take evasive action.

When running at low speed, a planing boat's directional stability is poorer than at higher speed. So be careful in narrow passages and when meeting other boats. It is therefore important that you follow the international regulations on how to avoid collisions at sea = COLREG. Navigate with care and use new or updated nautical charts.

The running position of the boat greatly affects its driving characteristics and fuel consumption. The boat's best operational position may be achieved by:

- placing the load properly
- adjusting the engine's trim angle

The combination of the right operational position with the right speed also makes driving in open waters more comfortable and safer.

#### **WARNING!**

High speed and quick manoeuvring can lead to large heeling angles and loss of control over the boat.

#### **NOTE!**

The boat is not designed to be driven through conditions that cause it to jump waves. The warranty does not cover damage caused by air flight. By checking the engine history on the computer, you can find out if the boat has been airborne.

### **5.11.6 Approaching and leaving the dock**

Practise boat manoeuvring skills where there is ample space to learn how to approach a dock before entering a crowded marina.

A very gentle throttle application does not generate sufficient steering power. Sharp but short throttle applications enable efficient steering movements.

Ensure that everyone on-board who does not have to stand up is seated when you are approaching the dock. Sudden steering movements may cause the boat to sway and someone to get injured.

Before docking, prepare the ropes at stern and bow. Approach the dock bow first at a narrow angle. Just before touching the dock, steer against the dock and shift into reverse. Apply throttle quickly and sharply. The boat will stop and turn parallel to the dock. If possible, make the approach into the wind or current, whichever is the strongest. This makes departing from the dock easier as the wind or current pushes the bow out from the dock. If there is no wind or current the easiest way to depart is by pushing the stern as far away from the dock as possible, and then slowly reversing away from the dock into open water.

The propeller is designed to give its best grip in forward gear. Therefore the propeller performance is weaker in reverse. Neither does the boat have a similar steering response in reverse as in forward gear.



**WARNING!**

Yamarin 60 DC is a fast boat. It does not stop instantly when at planing speed. Slow down in plenty of time before anchoring, beaching or docking. Learn to estimate the distance the boat needs before it stops. Remember that steering control is poor, if there is no traction.

**WARNING!**

Do not try to stop the boat with your hands, and do not put your arm or foot between the boat and the dock, the shore or another vessel! Practise beaching and docking under favourable conditions! Use moderate but firm engine power.

**NOTE!**

When you secure the boat you must take into consideration changes in wind direction, that the water level might rise or sink, any backwash that might occur, etc. You can get more information from insurance companies, etc.

### **5.11.7 Using the canopy**

The canopy is designed to take a maximum speed of 30 knots at sea, and 50 km/h in road transport. All press studs must be properly fastened when using the canopy. The canopy is designed so that it is possible to use just the front part if desired. We recommend that you remove the sides of the canopy plus its aft part, and roll the roof cover carefully and lay it down into the canopy box so that it fits easier into the canopy box. It will work easily if you ensure that there is no fabric underneath the straight upper part of the canopy rail.

### **5.11.8 Windshield front door**

Windshield middle door must always be closed and locked when driving.

**WARNING!**

In heavy sea, strong wind or gusts keep the door closed even in port cause there is a risk of door could be thrown by it selves. Door is heavy and it can cause a serious damage if it hits person on board.

**WARNING!**

When the boat is lying still the door can get closed by a blast or when big waves hit the boat. Because of that you are recommended to keep the door closed when no one is boarding.

## **5.12. Proper use – other recommendations and guidelines**

### **5.12.1 Man-overboard**

It is always a serious situation when someone falls overboard. Rescue procedures should be practised in advance when the weather is good, because when someone has fallen overboard, there is no time for practising.

The boat is equipped with the fixed swim ladder that can be lowered down from the water. The swim ladder unfolds to the full length by pulling the extension ladder away from the boat.

It is always easiest to help a person climb on-board from the water at the stern of the boat. A rope loop attached to the boat helps lifting. The boat's swim ladder extends 55 cm into the water. If a child has fallen overboard, an adult with a life-saving device or a fender must always jump in after

the child, however, someone must always remain onboard the boat.

It is very important to maintain visual and verbal contact in the event that a person falls overboard.

### **DANGER!**

A rotating propeller presents a life-threatening danger to a swimmer or a person that has fallen overboard. Use an emergency switch to turn off the engine when a swimmer or water skier is about to re-enter the boat from the water.

## **5.12.2 Securing loose equipment**

Secure all loose equipment before setting off.

## **5.12.3 Respect for the environment**

Our seas, lakes and archipelago are unique and their conservation is a matter of honour for each boater. Therefore you should avoid:

- fuel and oil leakages
- emptying garbage and waste into the water or on the shore
- letting detergents or solvents get into the water
- loud noise both on the water and at the marina
- producing unnecessarily high wash in narrow passages and shallow waters

Service the engine well and run it at the most economical speed, which will also keep exhaust emissions low.

Please also consider other local environmental legislation and regulations. Please make sure to familiarise yourself with the international regulations on the prevention of pollution at sea (MARPOL) and respect these to the greatest possible extent.

## **5.12.4 Anchoring and mooring**

Always moor your boat carefully, even in sheltered places, because conditions can change rapidly. Mooring lines should be equipped with absorbers to dampen any jolts. To prevent abrasion, use fenders that are large enough. The location of the bollards is illustrated on the image in the section on towing.

The hook located at the bow of the boat is to lock the boat to trailer. Hook at the deck is to lock the boat (for example to the dock).

### **NOTE!**

Make sure that lock or chain does not scratch the deck of the boat.

The endurance of the front bollards forward is at least 20.9 kN, which is approximately 2,000 kg. Similarly, the endurance of the back bollards backward is 14.6 kN, which is approximately 1,400 kg.

The minimum anchor weight for the boats is 5 kg. When you land to a natural harbour, ensure that there is a sufficient distance from the shore. A moderate grip is attained if the anchor line length is 4-5 times water depth.

**WARNING!**

Do not try to stop the boat by hand and do not put your hand or foot between your boat and the dock, beach, or another boat.

**NOTE!**

When mooring your boat, take wind veering, raise or fall of water level, wake of other boats etc. into account. More guidance can be provided by insurance companies, for instance.

**NOTE!**

The owner / user of the boat is responsible for ensuring that the boat is equipped with suitable mooring and anchoring equipment.

### 5.12.5 Towing

If you tow another boat, use adequately strong, floating line. Begin the towing carefully, avoid jerks, and do not overload the engine.

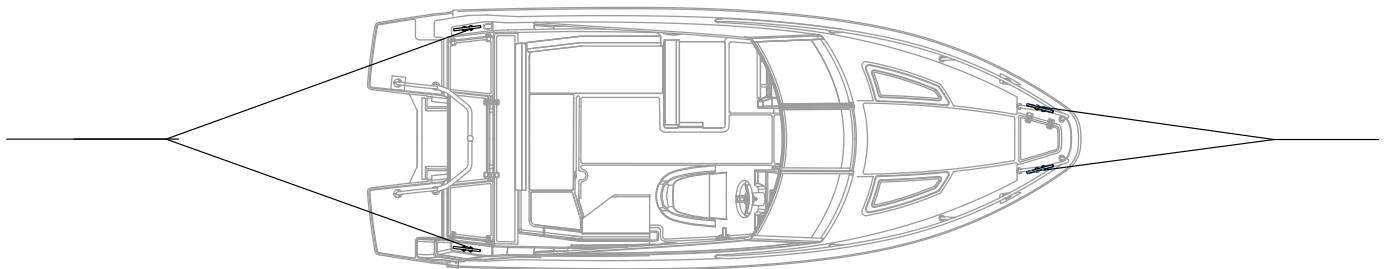
The owner of the boat should consider the measures necessary for securing the boat's towrope.

If you are towing, or if your boat has to be towed, attach the towline to the anchoring bollards as per the image.

The location of the anchor bollards during towing, anchoring, and mooring:

**WARNING!**

When towing, the towline is under high tension. If it breaks, the speed of



the end that has snapped off may rebound and cause serious injury or death. Always use a thick enough rope and do not get in the way of the rope extension.

**NOTE!**

When towing another boat or being towed, always drive at a low speed. If the boat has a displacement hull, never exceed the hull speed while towing.

**NOTE!**

The towrope should always be loosely fastened so that it can be unfastened under load.

### 5.12.6 Trailer transport

Weights on trailer can be found from Technical specifications. The keel support of trailer should carry the most of the weight of the boat. Adjust the side supports so that boat can not slide from side to side. For more information, please turn to your dealer.

Before you take boat on trailer clean the supports from sand and dirt, so they won't scratch the bottom of the boat. Check once again that trailer is mounted to trailer hitch.

The place where the boat will be taken on the trailer should be safe from the wind and waves and ramp should continue deep enough into water. Reverse trailer so deep that the rearmost keel support is just above the water level. Drive the boat carefully towards the rearmost keel support and fasten winch cable to trailer hook. Reel up the boat on trailer in a way that boat wont slide from side to side. Remember to trim up motor before reeling the boat on to trailer. Otherwise it can hit the bottom.

Tie the boat properly before starting the transport. Fastening belts located at the bow should be directed "down-back" and fastening belts located at rear should be directed "down-front". Do not leave any loose equipment or extra load to boat when it's transported. Take seat cushion away and close the hatches properly.

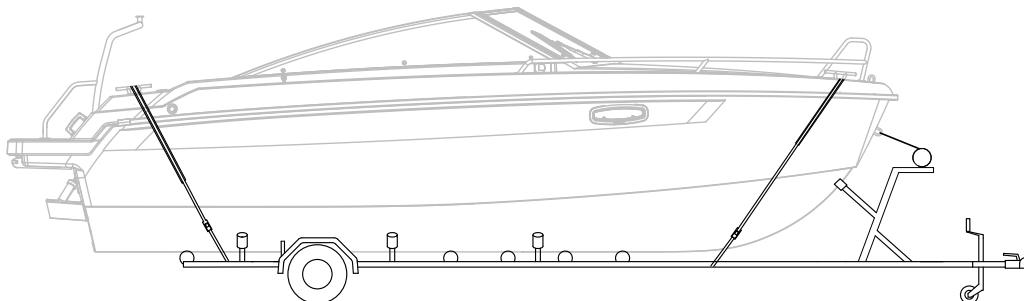
When transporting the boat the motor should be on its driving position. Make sure that there is the needed road clearance.

The fastening belts must be loosened up if the boat is kept on trailer between transportations and tightened up before next transportation.

Yamarin 6ODC on trailer.

**NOTE!**

The trailer should be a little front-weighted. Make sure that the boat is fasten tight enough to trailer and the weight of the boat is divided equally on the both side supports. If the boat swings against the side support, it can damage the hull.



When letting down the boat from trailer, remember to fasten the bow rope to the boat in order to release cable from the trailer hook when boat is on the water. Look out the winch handle!

**5.12.7 Docking**

The storage cradle should be sufficiently steady and suitable for the boat's dimensions. A sturdy plank (2x4"), should be placed between the V trestles to support the keel and to bear most of the weight of the boat. The side supports must not support the boat. The side supports should have cut outs at the bottom steps to avoid load points on the steps. The supporting structures at the transom should be strong enough to also support the weight of the engine.

Only use reputable lifting companies or boat yards with sufficient lifting capacity. In addition to the boat's own weight (please refer to technical specification), also take into consideration the accessories and other possible loads on the boat.

When the boat is lifted, lines should be placed under the boat and, during lifting, the boat must

remain horizontal.

**NOTE!**

The boat cannot be lifted by the anchor bollards/strong points.

**WARNING!**

Never stand under a boat that is suspended from a crane.

## **6. Servicing and maintenance**

Maintain your boat and its components clean. It will make your boat more comfortable to use and increases the real sale value of the boat.

Familiarise yourself with the service procedures shown in the engine manual (see attachment). Carry out the service carefully, or ensure it is performed by an accredited service company.

### **6.1. Washing and cleaning the boat**

Normally it is sufficient just to wash and wax the deck and sides. A special boat cleaning agent is most suitable for the purpose. Mildly abrasive polishes can be used to remove chafings and embedded dirt. Fibreglass surfaces can be washed with a pressure washer.

**Useful tips:** When the boat has been washed using tap water, a thin chalk-like layer of lime and minerals will remain on the boat's surface after it has dried. The problem can be eliminated by adding a few drops of pine oil soap into a bucket of rinsing water, which will soften it.

**Useful tips:** Water and lime stains on stainless steel rails and handles disappear when you apply some Lemon Pled furniture spray. The rails start shining just as nice as they did when the boat left the shipyard.

**Useful tips:** If the boat's ropes smell bad after winter storage, immerse them for a couple of hours into a bucket of water and add a bottle of apple vinegar and a splash of fabric conditioner for clothes. Allow the lines to dry properly.

### **6.2. Care instructions for seat cushions**

In order to ensure that the boat's seat cushions remain in good condition you are advised to always use the canopy or harbour cover when raining. Although they are made of water resistant material, their seams can let water in. It is advisable to protect the cushions by spraying them with Sunbrella-spray. If the cushions remain damp for any length of time, they may grow mouldy and become damaged. If the mattresses get wet, the fabric can be removed by unzipping the mattress and it can dried, for instance, in the sun, at room temperature or in a sauna (50°C). The warranty does not cover cushions spoilt by rain or dampness.

**NOTE!**

During winter storage they must be stored in a dry and well-ventilated place.

**NOTE!**

The wet cushions should not be placed in a storage room because they gather mould easily.

**NOTE!**

Single seats must be covered with seat covers when boat is not in use. If seats have got wet during

the use of the boat, they must be dried carefully before covering.

The press studs of the seat cushions should be sprayed with a silicon spray every now and then, otherwise they may become so tight that the fabric is torn when trying to open them. The warranty does not cover ripped seat cushions.

### **6.3. Care instructions for the teak deck**

Clean as follows, depending on how soiled the teak deck is:

Slightly soiled:

Wash with soapy water and a stiff sponge (e.g., a stiff green 3M sponge) or a scrubbing-brush.

Heavily soiled or scratched decks:

Dry-sand the deck with an eccentric grinder using 120 grade sandpaper (use grade 80 paper used for the worst areas). Only about a 0.5 mm layer need be removed from the surface as teak, being a dense, oily wood, does not absorb dirt deeply. The teak batten and pegs should be around 8 mm and 5 mm thick respectively. Removing up to half or even one millimetre will not affect the durability of the teak deck, and will give it a brand new finish.

#### **WARNING!**

Never use a pressure washer as this can damage the wood surface and joints. Similarly, never use wire brushes on teak.

After cleaning, choose one of the following finishing options:

- 1) Leave the teak surface untreated. The surface will gradually gain an attractive silver-grey patina as it weathers in the sun.
- 2) Apply a thin coat of teak oil to bring out the beautiful reddish brown colour of the wood. Use teak oil containing tinting pigment or varnish. If you want the deck to keep its full reddish brown colour throughout the summer, it will need washing and oiling at least twice. If oil is applied without first washing the deck, dirt will be absorbed into the wood causing it to darken. Washing is therefore vital to keeping the deck in its original condition. The deck must be totally dry when applying the oil. Avoid oiling the wood in direct sunlight.

### **6.4. Care instructions for the synthetic teak deck**

The synthetic teak deck should be washed with a scrub brush and detergent (for instance, car shampoo). The synthetic teak can also be washed with a pressure washer. If necessary, the surface can also be sanded with abrasive paper (roughness of even 80).

#### **NOTE!**

No oil or wax should be applied to the synthetic teak.

### **6.5. Care instructions for the canopy**

Store the canopy over winter in a dry and well-ventilated place. The press studs of the canopy should be sprayed with a silicon spray every now and then, otherwise they may become so tight that the fabric is torn when trying to open them. The warranty does not cover a canopy that has

been damaged.

## **6.6. Care instructions for the windshield**

The boat's windshield is made of tempered glass and it can be washed with ordinary glass cleaners.

### **Useful tips:**

When wiping the boat's windshield dry after cleaning avoid using circular motions. This can leave circular smudges on the windshield that become visible in sunlight impeding visibility. Wipe off any streaks with dry newspaper or cotton cloth first using horizontal motions and then vertical motions. Repeat this a few times and you'll bring the windshield to a brilliant shine.

## **6.7. Care instructions for the stainless steel components**

To keep the boat's stainless steel parts, such as rails, handles and bollards, shining and as good as new, the owner of the boat should keep the parts clean and waxed. The edges of the mounting flanges of the rails should also be cleaned. Any dirt that remains under the edge of the flange will begin to look like rust. In the case of regular use (i.e. no damage), the parts should be cleaned and waxed at least twice every summer. In autumn, when the boat is stored for the winter, the rails should also be cleaned and waxed.

## **6.8. Care instructions for the remote control**

Normally the remote control needs no other maintenance than greasing and adjustment during the winter service. If, for any reason, it becomes stiff to operate, it needs to be serviced immediately.

## **6.9. Care instructions for the steering system**

Normally the hydraulic steering system does not need to be serviced. If the steering becomes "loose", there is a leak in the system. The leak must be repaired immediately!

### **WARNING!**

A hydraulic system with leak, or one with trapped air is extremely dangerous.

## **6.10. Care instructions for the electrical components**

Electrical components, like main switches, other switches and couplings does not normally need to be serviced if the boat is winter stored in dry and well ventilated place. The best way to protect electrical components against oxidation is to spraying them every now and then with a moisture repellent antioxidant.

## **6.11. Minor superficial repairs**

Minor damages to the boat's gel coat surface can be repaired by yourself. However, a neat, unnoticeable repair requires a considerable amount of skill:



1. Tape off the area around the damage. This is to ensure that the area around the damage isn't accidentally damaged.
2. Bevel the edges sloping into the damaged area and clean with acetone.
3. In the event that the damage is deeper than 2 mm it can be advisable to fill it with an appropriate polyfiller.
4. Mix topcoat with 1.5-2% hardener.
5. Fill the repair with more topcoat than needed, so that its surface remains slightly proud of the surrounding area.
6. Carefully put a tape over the topcoat (masking tape or brown parcel tape).
7. After the topcoat has hardened, remove the tape and sand it using 600- and 1200-paper applying water.
8. Buff using abrasive paste.

The colours used on this boat are specified in the section on Technical Specifications. One point to consider is that a paint called gelcoat has been used in manufacturing the boat but the surface is always repaired with a paint called topcoat. Gelcoat paint does not harden without a mould surface whereas paraffin has been added to topcoat to allow it to harden.

#### **NOTE!**

Certain post delivery installations may cause damage to the structure of the boat or impair safety if not performed correctly. Please contact the dealer before any questionable works are carried out on the boat.

## **7. Winter storage**

Preparing boats for winter storage is an annual autumnal routine. Have your boat lifted in good time before the water freezes. Your boat is not designed for use in ice and it is not meant to be used in below zero temperatures (for example, the rain water draining system will freeze). It is advisable to perform all maintenance repair and inspection procedures when lifting the craft.

Please familiarise yourself with the servicing instructions provided in the engine manual. We recommend that you leave them to an authorised service agent. Do not forget to service the remote control and steering system. Make sure to perform their maintenance according to separate instructions and manuals.

### **7.1. Procedures before winter storage**

Wash the bottom of the boat immediately after the boat has been lifted. Algae and slime will come off easier if they are not left to dry. Give the engine, and other accessories – following separate manuals, their winter service. If your boat is stored outside or in a humid place during the winter, remove the textiles and other equipment that may corrode or become mouldy in damp conditions. Wash the ropes in fresh water. Replace ropes that are worn. Leave bushing valves open. Remove drain plug for the winter.

Check the condition of the hull and rub down any scrapes to let possible moisture inside the laminate dry. Repair damages in spring before launching the boat.

Always cover your boat so that snow cannot gather inside. Always make sure, however, that there is adequate ventilation. As an optional extra there is a winter storage protector for your Yamarin 60 Bow Rider.



## 7.2. Procedures before launching

Repair possible damages to the gel coat surface according to section 6.10.

In coastal areas an antifouling paint should be used to prevent the hull from becoming covered. Fouling of the bottom and especially the propeller increases the fuel consumption remarkably. However, if the boat is anchored at the inlet of a stream, on a land locked lake, or if it is lifted out of the water at least once a week, it is normally not necessary to use an antifouling paint. Carefully follow the paint manufacturer's instructions when applying the antifouling paint. If you are sanding old antifouling paint, remember that the dust is toxic.

At lake areas antifouling is not needed and not recommended. However, we recommend using epoxy primer if the boat is left in the water for several months each year. Fresh water, especially warm fresh water is absorbed easier to laminate than seawater.

### **NOTE!**

Do not apply any paint to the zinc anodes, log sensor, or piston rods of hydraulic trim tabs. Do not apply paints containing copper on aluminium parts and remember to follow the paint manufacturer's instructions.

### **Useful tips:**

Do not throw away a used paint brush. A dried and hardened paint brush that has been used for antifouling paint can be reused if you first soak it for a couple of hours in a mix of 2 litres of hot water, 100 ml of vinegar, and 50 ml of baking powder.

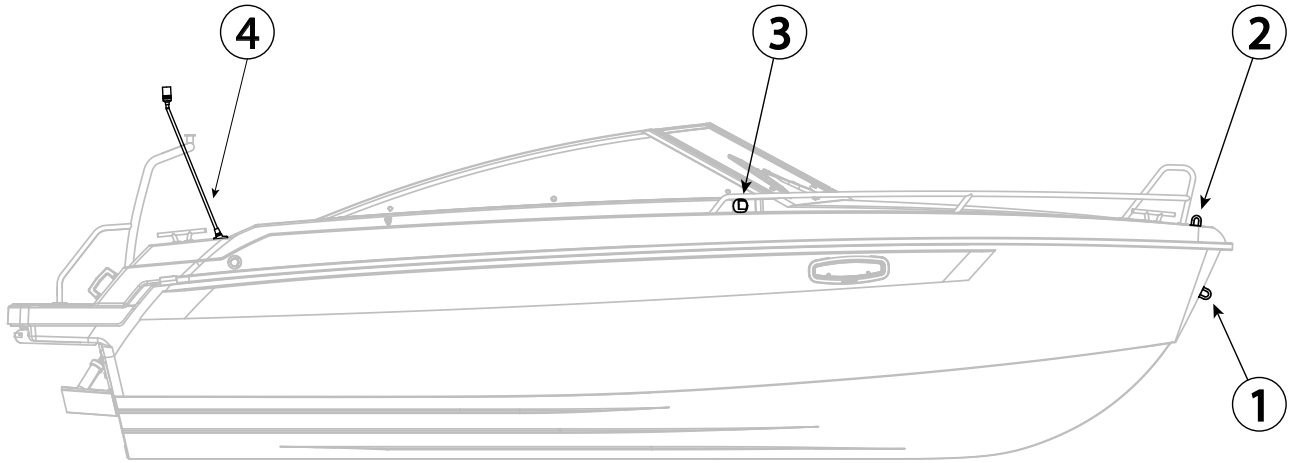
Perform the necessary service procedures according to the engine manual. Check the function of electric equipment and remove possible oxidation from fuse connectors etc.

Remember that eventually, petrol turns stale in time, and that you should always use fresh fuel when starting the engine for the first time after winter storage.

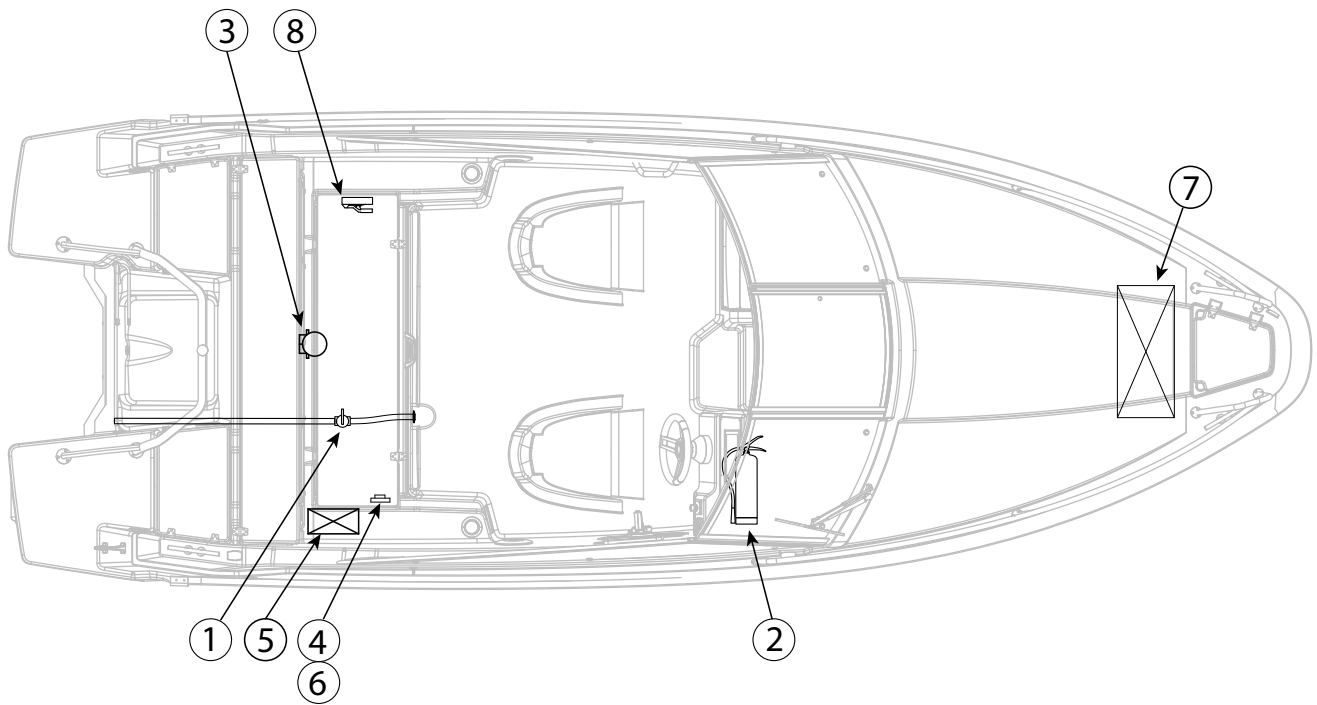
When the boat has been launched you should open all hull bushings and check to ensure that there are no leaking hoses or connectors. Bring the safety equipment on-board before setting off.

## 8. Lay-out

## 8.1. General lay-out



- 1 Trailer hook
- 2 Locking hook
- 3 Navigation light
- 4 Light mast

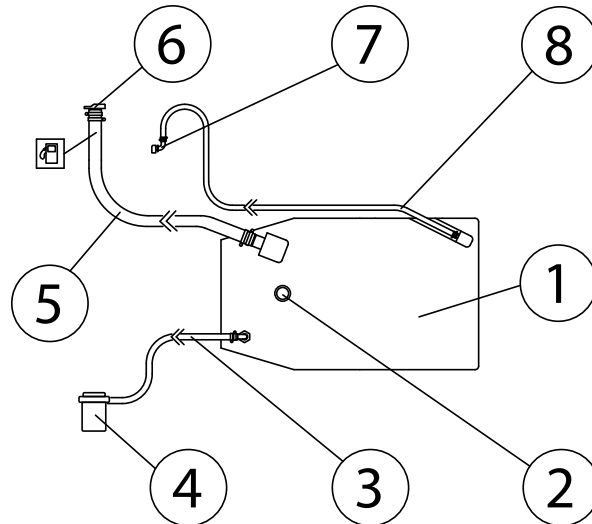


- 1. Rainwater drainage valve
- 2. Fire extinguisher
- 3. Fuel filter
- 4. Fuse panel
- 5. Battery
- 6. Main switch
- 7. Place for life raft
- 8. Pilgepump

## 8.2. Fuel system

Yamarin 60 DC equipped with a built-in-fuel tank. There is a fuel filter, which also serves as a transparent water separator. The filter must be changed at least once a year. When a new or removed filter has been mounted, the fuel line must be filled with a ball pump before starting the engine.

**NOTE!** The condition of the fuel hoses has to be inspected at regular intervals and every effort should be made to prevent damage to them. Damaged fuel hoses should be changed. If you change fuel hoses, make sure they have an ISO 7840 label.



- |                      |                            |
|----------------------|----------------------------|
| 1. Fuel tank         | 5. Fuel tank filling hose  |
| 2. Fuel tank sensor  | 6. Fuel filling            |
| 3. Fuel feeding hose | 7. Fuel tank vent          |
| 4. Fuel filter       | 8. Fuel tank breather hose |

## 8.3. Steering system

Yamarin 60 DC is equipped with a hydraulic steering system as standard. One of the features of the hydraulic steering system is that the position of the steering wheel changes continuously. For this reason, the boat has a symmetrical steering wheel. The lengths of hydraulic hoses are 5.5 meters.

Hydraulic steering does not normally require maintenance. If the steering becomes “loose” the system has a leak. Any leaks must be repaired immediately!

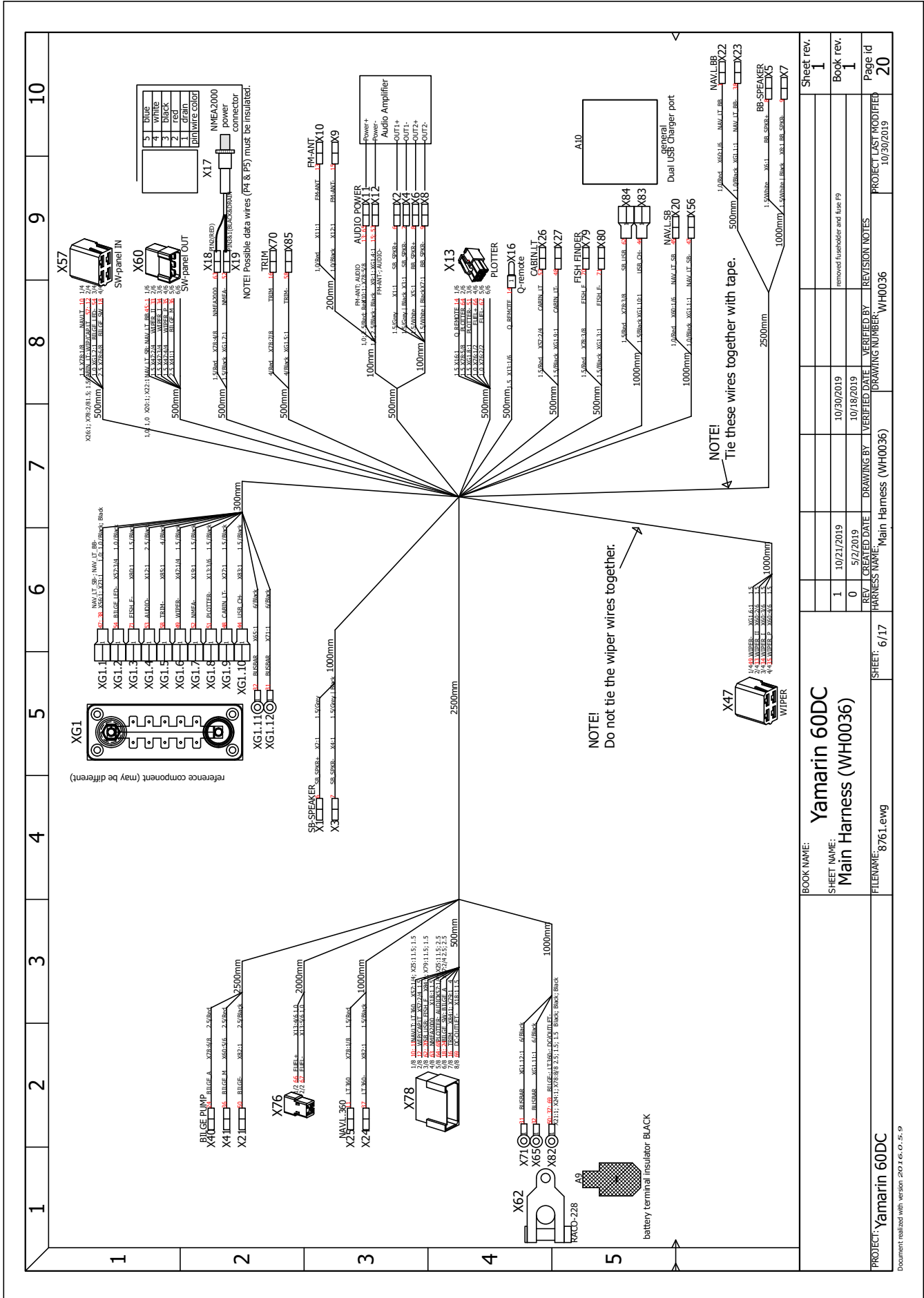
### **NOTE!**

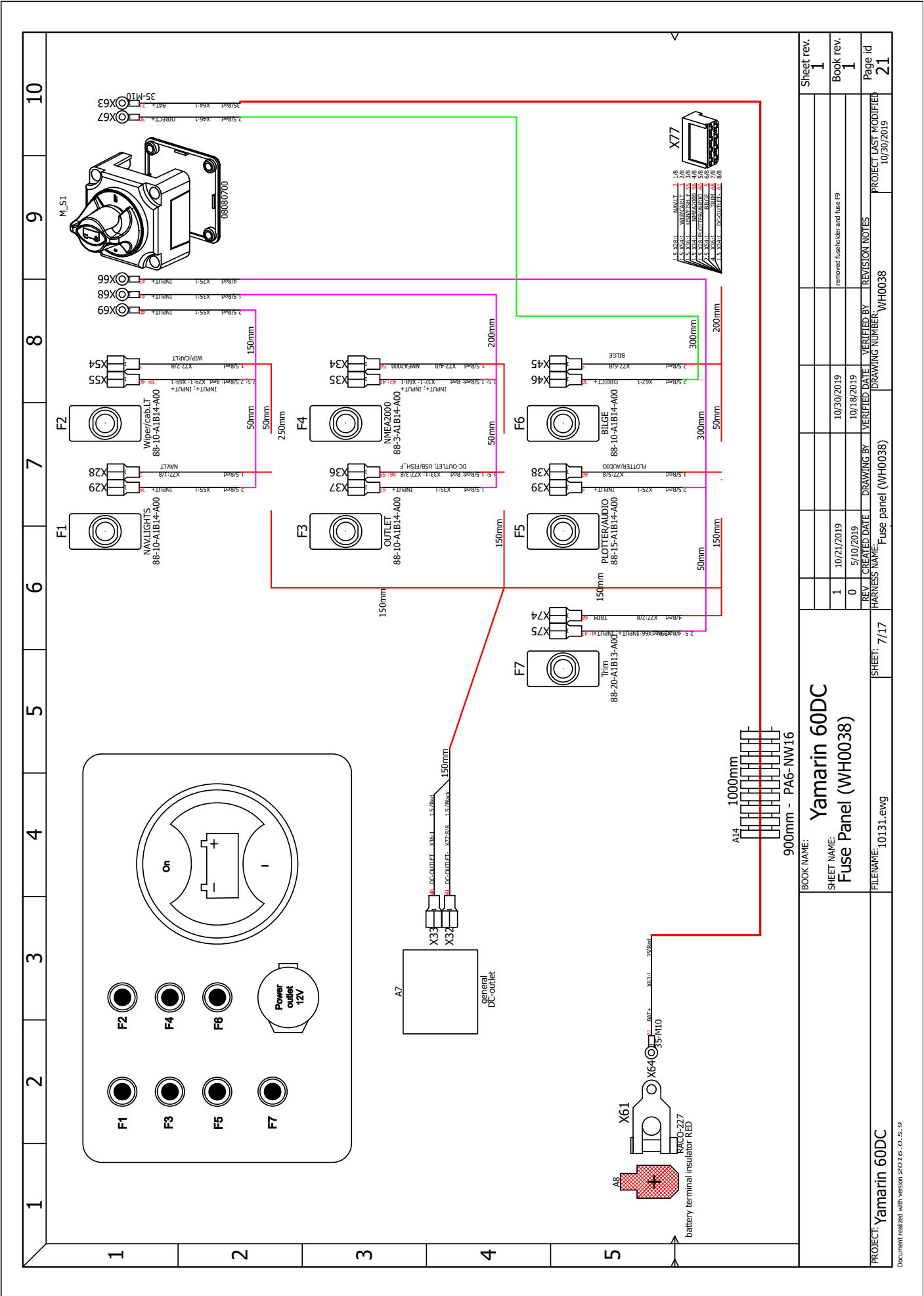
If you want to replace a component in the steering system, please note that all components must be in conformity with the ISO 10592 standard and carry the CE mark.

### **WARNING!**

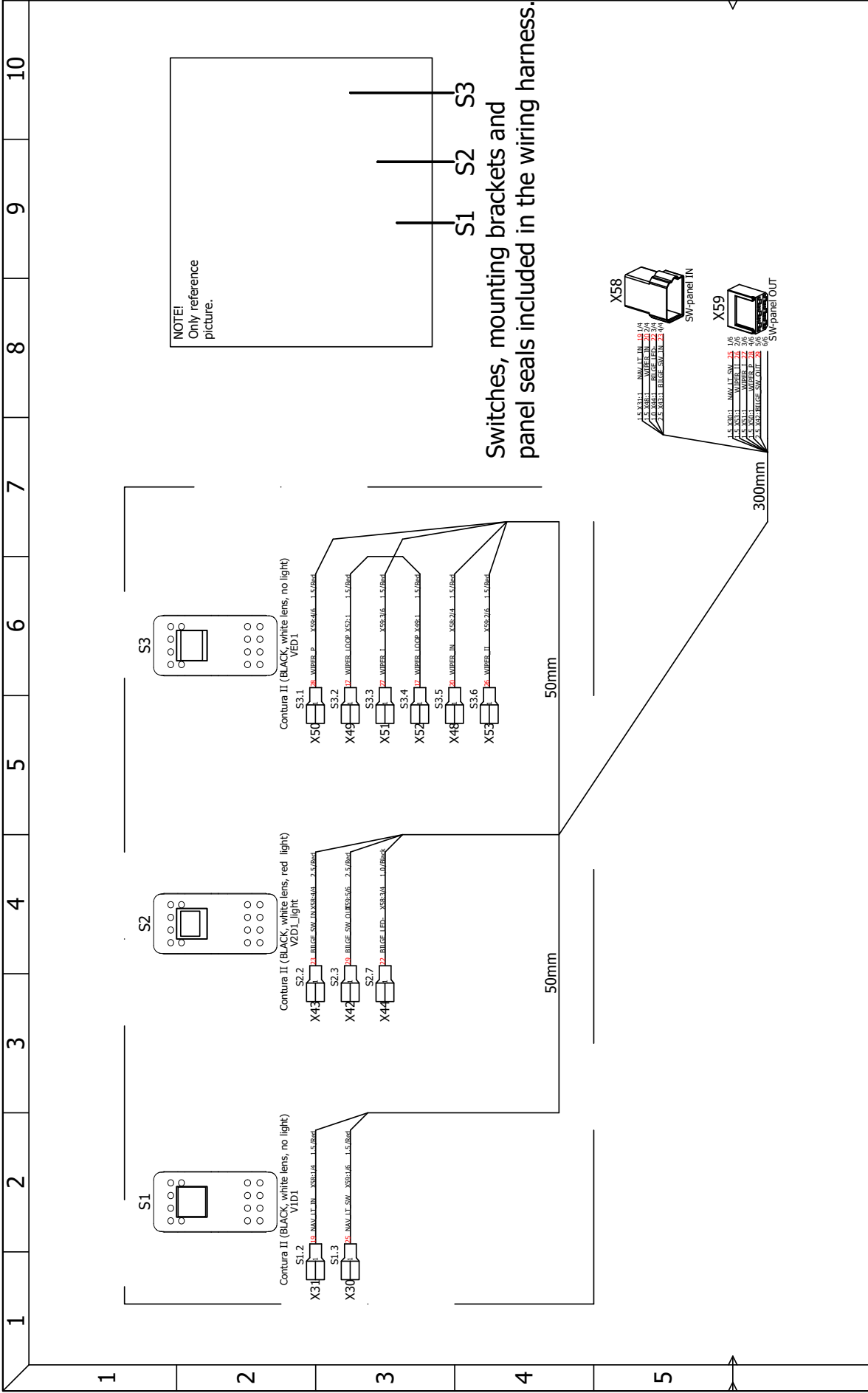
Hydraulic steering system, which has a leak or air, is highly dangerous.

## 9. Circuit diagrams

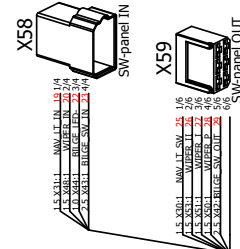




PROJECT: Yamarin 60DC		SHEET: 7/17		HARNESS NAME: Fuse panel (WH0038)		DRAWING NUMBER: WH0038		REVISION NOTES		PROJECT LAST MODIFIED: 10/30/2019	
BOOK NAME: Yamarin 60DC		SHEET NAME: Fuse Panel (WH0038)		FILENAME: 10131.evwg		REV. CREATED DATE: 5/10/2019		DRAWING BY: 10/18/2019		VERIFIED BY: 10/18/2019	
REV. 1		10/21/2019				REV. 0		5/10/2019		10/30/2019	
removed fuseholder and fuse F9										removed fuseholder and fuse F9	
Sheet rev.	1									Book rev.	
Book rev.	1									Page id	
Page id	21									21	



Switches, mounting brackets and panel seals included in the wiring harness.



PROJECT: Yamarin 60DC		BOOK NAME: Yamarin 60DC		Sheet rev: 1	
SHEET NAME: Switch Panel (WH0037)		SHEET: 8/17		Book rev: 1	
FILENAME: 10175-ewg		DRAWING NAME: Switch Panel (WH0037)		DRAWING NUMBER: WH0037	
REV: 0		REV: 1		REVISION NOTES	
CREATED DATE: 5/14/2019		CREATED DATE: 10/18/2019		PROJECT LAST MODIFIED: 10/30/2019	
DRAWN BY:		DRAWN BY:		Page id: 22	
VERIFIED DATE:		VERIFIED DATE:			
VERIFIED BY:		VERIFIED BY:			



**Yamarin 60 Day Cruiser  
Käyttäjän käsikirja**

## ESIPUHE

### **Arvoisa Yamarin 60 Day Cruiserin omistaja! Kiitämme Teitä siitä, että valitsitte Yamarinin!**

Käyttöohjekirja perehdyttää Sinut uuden veneesi ominaisuuksiin sekä auttaa sen hoidossa ja huollossa. Se on laadittu avuksesi, jotta opit käsittelemään venettäsi turvallisesti ja välttämään mahdolliset ongelmat. Tarkista, että olet venetoimituksen yhteydessä saanut haltuusi kaikkien veneeseesi asennettujen laitteiden ohjekirjat. Täydennä käsikirjaa myöhemmin hankkimiesi laitteiden tiedoilla ja ohjekirjoilla. Omille muistiinpanoillesi on tilaa käsikirjan lopussa. Lue tämä käsikirja huolellisesti sekä tutustu tarkoin itse veneesi yksityiskohtiin ennen kuin lähdet vesille.

Mikäli tämä on ensimmäinen veneesi tai olet vaihtanut Sinulle uuteen venetyyppiin, varmistu siitä, että Sinulla on riittävä tuntuma ja kokemus sen käsittelyssä. Omankin mukavuutesi ja turvallisuutesi vuoksi tämä on todella tärkeää. Vasta silloin olet valmis vastaanottamaan vastuun veneesi ”kapteenina”. Jälleenmyyjä, venekerhot, Suomen Veneilyliitto tai Suomen Navigaatioliitto antavat mielellään tietoja paikallisista veneilykouluista tai suosittelevat päteviä opettajia.

Omistajan käsikirja ei ole yksityiskohtainen huolto- tai vianetsintäopas. Ongelmatapauksissa ottaa yhteyttä veneen jälleenmyyjään. Käyttäkää aina päteviä ja koulutettuja henkilöitä huoltoon, korjauksiin ja muutostöihin. Muutokset, jotka voivat vaikuttaa veneen turvallisuusominaisuuksiin, tulee arvioida, toteuttaa ja dokumentoida pätevien henkilöiden toimesta. Veneen valmistaja ei ole vastuussa muutoksista, joita se ei ole hyväksynyt.

Pidä veneesi aina hyvässä kunnossa ja ota huomioon, että se vaatii kunnossapitoa ja huoltoa. Mikä tahansa vene – riippumatta sen vahvuudesta – voi vaurioitua merkittävästi, mikäli sitä ei käytetä asianmukaisesti. Mukauttakaa aina veneen nopeus ja suunta aallokko-oloihin.

### **Toivotamme Sinulle mukavia ja rentouttavia hetkiä vesillä Yamarin 60 Day Cruiserin kanssa!**

Inhan Tehtaat, Inha Works  
Hahdenniementie 2  
FI-21120 Raisio  
Finland

[www.yamarin.com](http://www.yamarin.com)

SÄILYTÄ TÄMÄ KÄSIKIRJA VARMASSA PAIKASSA JA LUOVUTA SE SEURAAVALLE OMISTAJALLE, MIKÄLI MYYT VENEESI.



# Sisällysluettelo

45	Yleistä
45	Määritelmät
45	Takuu
46	Ennen käyttöönottoa
46	Rekisteröinti
46	Vakuutukset
46	Koulutus
46	Veneen ominaisuudet ja käyttö
46	Yleistä
46	Veneen perustiedot
48	Tekninen erittely
49	Suurin suositeltu henkilömäärä
50	Kuormitus
50	Moottori ja potkuri
50	Veden sisäänpääsyn estäminen ja vakavuus
50	Rungon ja kannen läpiviennit sekä sulkuventtiilit
52	Vakavuus ja kelluvuus
52	Tulipalon tai räjähdysvaaran ehkäiseminen
52	Tankkaaminen
52	Palontorjunta
53	Pääkytkin ja sulakkeet
54	Käyttö
54	Hallintalaitteet
54	Hätäkatkaisin
54	Vaihteet ja kaasu
54	Moottorin rikikulman säätö
55	Moottorin käynnistäminen
55	Ajaminen
57	Kuomun käyttö
57	Tuulilasin ovi
57	Oikea käyttö – muut suositukset ja ohjeet
57	Mies yli laidan
58	Irrallisten varusteiden kiinnittäminen
58	Ympäristön huomioonottaminen
58	Veneen kiinnittäminen ja ankkurointi
59	Hinaus
60	Trailerikuljetus
61	Telakointi
61	Veneen ja varusteiden kunnossapito
61	Veneen pesu ja vahaus
62	Istuintyynyjen hoito-ohjeet
62	Tiikkikannen hoito-ohjeet
63	Synteettisen tiikkikannen hoito-ohjeet
63	Kuomun hoito-ohjeet
63	Tuulilasin hoito-ohjeet
63	Haponkestävien osien hoito-ohjeet
63	Kaukohallintalaitteen hoito-ohjeet
63	Ohjausjärjestelmän hoito-ohjeet
63	Sähkökomponenttien hoito-ohjeet
64	Pienet pintakorjaukset
64	Veneen talvisäilytys
64	Toimenpiteet ennen talvisäilytystä
65	Toimenpiteet ennen vesillelaskua keväällä
66	Järjestelyt
66	Yleisjärjestelyt
67	Polttoainejärjestelmä
67	Ohjausjärjestelmä
68	Sähköjärjestelmä
68	Kytkenäkaavio



**EU-vaatimusten mukaisuusvakuutus huviveneen suunnittelun, rakenteen ja  
melupäästöjen osalta direktiivin 2013/53/EU mukaisesti**  
(Valmistaja tai valtuutettu edustaja täyttää)

Huviveneen valmistajan nimi: Inhan Tehtaat Oy Ab, Inha Works Ltd.

Osoite: Hahdenniementie 2

Kunta: Raisio Postinumero: 20810 Maa: Finland

Valtuutetun edustajan nimi (jos käytetty): \_\_\_\_\_

Osoite: \_\_\_\_\_

Kunta: \_\_\_\_\_ Postinumero: \_\_\_\_\_ Maa: \_\_\_\_\_

Suunnittelun ja valmistuksen arvioinnissa käytetty moduuli:  A  A1  B+C  B+D  B+E  B+F  G  H

Ilmoitetun laitoksen nimi suunnittelun ja valmistuksen arvioinnin osalta (jos vaaditaan) DNV GL SE

Osoite: Brooktorkai 18

Kunta: Hamburg Postinumero: 20416 Maa: Germany Tunnusnumero: 0098

Ilmoitetun laitoksen sertifikaatin<sup>1</sup> numero (jos käytetty): RCDB00000A6 Pvm: 1/2020

Melupäästöjen arvioinnissa käytetty moduuli (jos käytetty):  A  A1  G  H

Ilmoitetun laitoksen nimi melupäästöjen arvioinnin osalta (jos käytetty): \_\_\_\_\_

Osoite: \_\_\_\_\_

Kunta: \_\_\_\_\_ Postinumero: \_\_\_\_\_ Maa: \_\_\_\_\_ Tunnusnumero: \_\_\_\_\_

Ilmoitetun laitoksen sertifikaatin<sup>1</sup> numero (jos käytetty): \_\_\_\_\_ Pvm: \_\_\_\_\_

Muut sovelletut yhteisön direktiivit: \_\_\_\_\_

**HUVIVENEEN TIEDOT:**

Vesikulkuneuvon tunnusnumero: FI - YAM

Huviveneen merkki: Yamarin Malli tai tyyppi: 60 Day Cruiser

**Rakennetyyppi:**

kiinteärunkoinen  ilmatäytteinen  kovapohjainen kumivene (RIB)

**Runkotyyppi:**

yksirunko  monirunko

**Rungon rakennusmateriaali:**

alumiini, alumiiniseokset  lujitemuovi  
 teräs, teräseokset  puu  
 muu (tarkenna): \_\_\_\_\_

Huvivene  
Suunnittelu luokan suurimman  
suositellun henkilömäärän mukaan:

Suunnittelu- luokka	Henkilö- määrä	Suurin kuorma (kg)
A		
B		
C	6	870
D		

Rungon pituus  $L_H$  6,06 m

Rungon leveys  $B_H$  2,22 m

Suurin syväys: 0,39 m

**Kansi:**

umpinainen  
 osittain katettu  
 avoin

**Kulkuneuvon pääasiallinen käyttövoima:**

purje, purjeiden projektiopinta-ala  $A_S$  \_\_\_\_\_ m<sup>2</sup>  
 ihmisvoima  
 kone/moottori  
 muu (tarkenna): \_\_\_\_\_

**Asennettu moottorityyppi (jos sovellettavissa):**

polttomoottori, diesel (CI)  
 polttomoottori, bensiini (SI)  
 polttomoottori, LPG/CNG  
 sähkö  
 muu (tarkenna): \_\_\_\_\_

**Asennettu propulsiotyyppi (jos sovellettavissa):**

perämoottori  
 sisämoottori akselivedolla  
 Z- tai perävetolaite  
 ruoripotkuri (pod drive)  
 S-vetolaite (saildrive)  
 muu (tarkenna): \_\_\_\_\_

**Vetolaitteistossa kiinteä pakoputkisto (jos sovellettavissa):**  kyllä  ei


Suurin suositeltu koneteho: 86 kW

Asennettu koneteho: \_\_\_\_\_ kW

Propulsiovoimien lukumäärä: 1 #

Suurin suositeltu moottorin paino<sup>2</sup>: 235 kg

Tämä vaatimusten mukaisuusvakuutus on annettu yksin valmistajan vastuulla. Vakuutan valmistajan nimissä että yllämainittu huvivene täyttää direktiivin 2013/53/EU artiklassa 4 (1) ja liitteessä I määritellyt vaatimukset.

Nimi ja toimi: Juha Lehtola, CEO Allekirjoitus ja titeli:   
(valmistajan tai valtuutetun edustajan puolesta allekirjoittamaan valtuutetun henkilön tunnistettuna) (tai vastaava merkintä)

Paikka ja aika (pp/kk/vvvv): 20.12.2019

<sup>1</sup> Dokumentti saattaa moduulista riippuen olla nimetty eri tavoin (A1: Stability and buoyancy report, B: EC type examination certificate, G: Certificate of conformity, etc.)

<sup>2</sup> Vain perämoottorilla varustetuille veneille

Olennaiset vaatimukset  (viitaten Direktiivin Liitteen I numerointiin)	Harmonised standards Full Application	Harmonised standards Partial application, see tech. file	Other reference documents <sup>3</sup> Full Application	Other reference documents Partial Application, see tech. file	Other proof of conformity See technical file	Erittelet noudatetut yhdenmukaistetut <sup>4</sup> standardit tai muut tekniset eritelmät  (sisältäen julkaisuvuoden, esim. "EN ISO 8666:2002")
	Rastita vain yksi kohta rivillä					
<b>General requirements (2)</b>						
Olennaiset tiedot - päämitat	<input checked="" type="checkbox"/>					ISO 8666:2002
Vesikulkuneuvon tunnusnumero - WIN (2.1)	<input checked="" type="checkbox"/>					EN ISO 10087:2006
Vesikulkuneuvon valmistajan kilpi (2.2)	<input checked="" type="checkbox"/>	<input type="checkbox"/>	<input type="checkbox"/>	<input type="checkbox"/>	<input type="checkbox"/>	2013/53/EU1A-2.2
Laidan yli putoamisen ehkäiseminen ja veneeseen uudelleen nouseminen (2.3)	<input checked="" type="checkbox"/>	<input type="checkbox"/>	<input type="checkbox"/>	<input type="checkbox"/>	<input type="checkbox"/>	EN ISO 15085:2003+A2:2018
Näkyvyys pääasiallisesta ohjailupaikasta (2.4)	<input checked="" type="checkbox"/>	<input type="checkbox"/>	<input type="checkbox"/>	<input type="checkbox"/>	<input type="checkbox"/>	EN ISO 11591: 2016
Omistajan käsikirja (2.5)	<input checked="" type="checkbox"/>	<input type="checkbox"/>	<input type="checkbox"/>	<input type="checkbox"/>	<input type="checkbox"/>	EN ISO 10240:2004 + A1 2015
<b>Rakenteeseen, lujuuteen ja tiiviyteen liittyvät vaatimukset (3)</b>						
Rakenne (3.1)	<input checked="" type="checkbox"/>	<input type="checkbox"/>	<input type="checkbox"/>	<input type="checkbox"/>	<input type="checkbox"/>	EN ISO 12215-1:2018, EN ISO 12215-2:2018, EN ISO 12215-3:2018, EN ISO 12215-4:2018
Vakavuus ja varalaita (3.2)	<input checked="" type="checkbox"/>	<input type="checkbox"/>	<input type="checkbox"/>	<input type="checkbox"/>	<input type="checkbox"/>	EN ISO 12217-1:2017, EN ISO 12217-3:2017
Kanto- ja kelluntakyky (3.3)	<input checked="" type="checkbox"/>	<input type="checkbox"/>	<input type="checkbox"/>	<input type="checkbox"/>	<input type="checkbox"/>	EN ISO 12217-1:2017, EN ISO 12217-3:2017
Rungon, kannen ja kansirakenteiden aukot (3.4)	<input checked="" type="checkbox"/>	<input type="checkbox"/>	<input type="checkbox"/>	<input type="checkbox"/>	<input type="checkbox"/>	EN ISO 9093-1:2018, EN ISO 12216:2018
Vedellä täyttyminen (3.5)	<input checked="" type="checkbox"/>	<input type="checkbox"/>	<input type="checkbox"/>	<input type="checkbox"/>	<input type="checkbox"/>	EN ISO 11812:2018, EN ISO 15083:2018
Valmistajan suositus suurimmasta sallitusta kuormasta (3.6)	<input checked="" type="checkbox"/>	<input type="checkbox"/>	<input type="checkbox"/>	<input type="checkbox"/>	<input type="checkbox"/>	EN ISO 14946:2001 / AC:2005
Pelastuslaittojen säilytys (3.7)	<input checked="" type="checkbox"/>	<input type="checkbox"/>	<input type="checkbox"/>	<input type="checkbox"/>	<input type="checkbox"/>	RCD Annex I 3.7
Poistumistie (3.8)	<input type="checkbox"/>	<input type="checkbox"/>	<input type="checkbox"/>	<input type="checkbox"/>	<input type="checkbox"/>	EN ISO 9094:2017
Ankkurointi, kiinnittäminen ja hinaaminen (3.9)	<input checked="" type="checkbox"/>	<input type="checkbox"/>	<input type="checkbox"/>	<input type="checkbox"/>	<input type="checkbox"/>	EN ISO 15084:2018
<b>Ohjailuominaisuudet (4)</b>	<input checked="" type="checkbox"/>	<input type="checkbox"/>	<input type="checkbox"/>	<input type="checkbox"/>	<input type="checkbox"/>	EN ISO 11592-1:2016, RCD Annex I 4
<b>Moottorit ja moottoritilat (5.1)</b>						
Sisämoottorit (5.1.1)	<input type="checkbox"/>	<input type="checkbox"/>	<input type="checkbox"/>	<input type="checkbox"/>	<input type="checkbox"/>	
Tuuletus (5.1.2)	<input type="checkbox"/>	<input type="checkbox"/>	<input type="checkbox"/>	<input type="checkbox"/>	<input type="checkbox"/>	
Suojaamattomat osat (5.1.3)	<input type="checkbox"/>	<input type="checkbox"/>	<input type="checkbox"/>	<input type="checkbox"/>	<input type="checkbox"/>	
Perämoottorin käynnistyminen (5.1.4)	<input type="checkbox"/>	<input type="checkbox"/>	<input type="checkbox"/>	<input type="checkbox"/>	<input type="checkbox"/>	
<b>Polttoainejärjestelmä (5.2)</b>						
Yleistä polttoainejärjestelmästä (5.2.1)	<input checked="" type="checkbox"/>	<input type="checkbox"/>	<input type="checkbox"/>	<input type="checkbox"/>	<input type="checkbox"/>	EN ISO 8469: 2018, EN ISO 10088:2017
Polttoainesäiliöt (5.2.2)	<input checked="" type="checkbox"/>	<input type="checkbox"/>	<input type="checkbox"/>	<input type="checkbox"/>	<input type="checkbox"/>	EN ISO 21487:2018
<b>Sähköjärjestelmä (5.3)</b>	<input checked="" type="checkbox"/>	<input type="checkbox"/>	<input type="checkbox"/>	<input type="checkbox"/>	<input type="checkbox"/>	EN ISO 8849:2018, EN ISO 10133:2017, EN ISO 13297:2018
<b>Ohjausjärjestelmä (5.4)</b>						
Yleistä ohjausjärjestelmästä (5.4.1)	<input checked="" type="checkbox"/>	<input type="checkbox"/>	<input type="checkbox"/>	<input type="checkbox"/>	<input type="checkbox"/>	EN ISO 8847:2017, EN ISO 10592:2017, EN ISO 25197:2018, EN ISO 8848:2017
Varajärjestelmät (5.4.2)	<input type="checkbox"/>	<input type="checkbox"/>	<input type="checkbox"/>	<input type="checkbox"/>	<input type="checkbox"/>	
<b>Kaasujärjestelmä (5.5)</b>	<input checked="" type="checkbox"/>	<input type="checkbox"/>	<input type="checkbox"/>	<input type="checkbox"/>	<input type="checkbox"/>	EN IEN ISO 10239:2017
<b>Palontorjunta (5.6)</b>						
Yleistä palontorjunnasta (5.6.1)	<input checked="" type="checkbox"/>	<input type="checkbox"/>	<input type="checkbox"/>	<input type="checkbox"/>	<input type="checkbox"/>	EN ISO 9094:2017
Palontorjuntavälineet (5.6.2)	<input checked="" type="checkbox"/>	<input type="checkbox"/>	<input type="checkbox"/>	<input type="checkbox"/>	<input type="checkbox"/>	EN ISO 9094:2017
<b>Merenkulkuvalot, merkkikuviot ja äänimerkinantolaitteet (5.7)</b>	<input checked="" type="checkbox"/>	<input type="checkbox"/>	<input type="checkbox"/>	<input type="checkbox"/>	<input type="checkbox"/>	EN ISO 16EN ISO 16180:2018, 1972 COLREG
<b>Päästöjen torjunta (5.8)</b>	<input type="checkbox"/>	<input type="checkbox"/>	<input type="checkbox"/>	<input type="checkbox"/>	<input type="checkbox"/>	
<b>Annex I.B – Pakokaasupäästöt<sup>5</sup></b>						
<b>Annex I.C – Melupäästöt<sup>6</sup></b>						
Melupäästöjen tasot (I.C.1)	<input type="checkbox"/>	<input type="checkbox"/>	<input type="checkbox"/>	<input type="checkbox"/>	<input type="checkbox"/>	
Omistajan käsikirja (I.C.2)	<input type="checkbox"/>	<input type="checkbox"/>	<input type="checkbox"/>	<input type="checkbox"/>	<input type="checkbox"/>	

<sup>3</sup>Muut kuin yhdenmukaistetut standardit, säännöt, säädökset, ohjeistot,

<sup>4</sup>Euroopan unionin virallisessa lehdessä julkaistut standardit

<sup>5</sup>Katso moottorivalmistajan vaatimustenmukaisuusvakuutus

<sup>6</sup>Koskee vain veneitä joissa on sisä- tai sisäperämoottori ilman vetolaitteeseen sisäänrakennettua pakokaasujärjestelmää

## **Tutustu tähän omistajan käsikirjaan.**

Tarkista aina ennen vesille lähtöä ainakin seuraavat seikat:

### **Säätila ja ennuste**

Ottakaa huomioon tuuli, aallokko ja näkyvyys. Ovatko veneenne suunnitteluluokka, koko ja varustus sekä päällikön ja miehistön taidot riittäviä sille vesialueelle, jolle olette lähdössä? Voimakkaassa tuulessa ja suuressa aallokossa runkoikkunoiden, luukkujen ja ovien tulee olla suljetut, jotta vesi ei pääsisi veneen sisälle.

### **Kuormitus ja vakavuus**

Älkää ylikuormittako venettä, jakakaa kuorma oikein. Painavat esineet sijoitetaan takapenkin alla oleviin säilytystiloihin. Huomioikaa myös, että veneen vakavuus heikkenee, mikäli henkilöt seisovat veneessä.

### **Matkustajat**

Varmista, että kaikille mukanaolijoille on kelluntapukine tai pelastusliivit. Sopikaa kunkin henkilön tarvittavat tehtävät matkan aikana ennen lähtöä.

### **Polttoaine ja polttoainejärjestelmä**

Tarkistakaa, että polttoainetta on riittävästi; myös reservipolttoainetta huonon sään tms. varalle. Ajettaessa isoissa aalloissa polttoaineen kulutus voi helposti nousta yli 30 % verrattuna tyyneen keliin. Peukalosääntönä voi pitää, että matkan päätteeksi pitää aina olla vähintään 20 % polttoainetta jäljellä. Muista tarkastaa myös polttoaineensuodattimesta, ettei läpinäkyvässä vedenerottimessa suodattimen alapuolella ole vettä. Polttoaineensuodatin tulee vaihtaa 1-2 kertaa vuodessa riippuen ajotunneista ja polttoaineen laadusta.

### **Moottori ja ohjauslaitteet**

Tarkistakaa ohjauksen ja kaukohallintalaitteen toiminta sekä kunto ja tehkää moottorin ohjekirjan mukaiset tarkistustoimet.

### **Veneen merikelpoisuus**

Tarkistakaa veneen merikelpoisuus muutenkin: ei polttoaine- tai vesivuotoja, turvavarusteet mukana jne. Tarkistakaa, ettei veneen välipohjassa ole vettä.

### **Tavaroiden kiinnitys**

Tarkistakaa, että kaikki tavarat on asetettu niin, että ne pysyvät paikoillaan myös merenkäynnissä ja kovassa tuulessa. Huomio, että istuintyyny voi lentää kyydistä, mikäli niiden nepparit eivät ole kiinnitettyinä.

### **Merikartat**

Ellet kulje täysin tuttua reittiä, varmista että mukanasasi on merikarttoja riittävän laajalta alueelta! Mikäli veneesi on varustettu karttaplotterilla, opettele käyttämään sitä ennen kuin lähdet vesille. Varmista, että merikartat ovat uusinta painosta.

### **Lähtömanööverit**

Sopikaa miehistön kanssa, kuka irrottaa minkäkin köyden jne. Tarkistakaa etteivät kiinnitysköydet tai ankkuriköysi pääse potkuriin lähdön tai saapumisen aikana.

### **Pakolliset varusteet**

Vesiliikennelainsäädännön mukaan jokaisessa moottorilla varustetussa vesikulkuneuvossa on oltava seuraavat käyttökuntoiset varusteet:

- 1) Hyväksytyt pelastusliivi, kelluntapukine tai pelastuspuku kullekin veneessä olijalle. Ko. puki-  
neen tulee kokoluokaltaan ja kantavuudeltaan vastata henkilön kokoa ja painoa.
- 2) Tyhjennysväline
- 3) Aivot tai mela tai ankkuri köysineen
- 4) Hyväksytyt vähintään luokka 8A68B käsiammutin. Sammutin pitää tarkastuttaa kerran  
vuodessa. (Yamarin 60 DC:ssä on vakiovarusteena hyväksytyt sammutin. Huom! Koska sammutin  
asennetaan veneeseen sen valmistusvaiheessa, yhden vuoden voimassa oleva tarkastusleima voi  
mennä umpeen lyhyehkön ajan uuden veneen käyttöönoton jälkeen. Vesiliikennelainsäädännön  
mukaan veneen käyttäjä on vastuussa sammuttimen tarkastusleiman voimassaolosta).

Moottoria koskevia lisäohjeita saatte sen erillisestä ohjekirjasta.

## 1. Yleistä

Omistajan käsikirja auttaa sinua tuntemaan uuden veneesi ominaisuuksia, hoitoa ja huoltoa. Veneeseen asennettujen laitteiden omat ohjekirjat on liitetty mukaan ja useissa kohdissa viitataan niihin. Voit tietysti täydentää käsikirjaa myöhemmin hankittujen laitteiden ohjekirjoilla. Omille muistiinpanoillesi on varattu tilaa käsikirjan lopussa.

Veneellä on juokseva sarjanumero, CIN-koodi (Craft Identification Number). CIN-koodi on merkitty veneen runkoon uimatasen alapuolelle oikealle puolelle veneen peräpeiliin. Suosittelemme, että merkitsette CIN-koodin vaatimustenmukaisuuden vakuutukseen tähän kirjaan. Asioidessanne jälleenmyyjien kanssa, ilmoittakaa CIN-koodi sekä veneen tyyppi, niin oikeiden varaosien saanti helpottuu.

## 2. Määritelmät

Tässä käsikirjassa olevat varoitukset ja huomautukset määritellään seuraavasti:

### **VAARA!**

Merkitsee, että on olemassa vakava vaaratekijä, joka johtaa suurella todennäköisyydellä kuolemaan tai pysyvään vammautumiseen, ellei asianmukaisiin varokeinoihin ryhdytä.

### **VAROITUS!**

Merkitsee, että on olemassa vaaratekijä, joka voi johtaa loukkaantumiseen tai kuolemaan, ellei asianmukaisiin varokeinoihin ryhdytä.

### **HUOM!**

Merkitsee muistutusta turvallisesta toimintatavasta tai kiinnittää huomiota vaaralliseen toimintatapaan, joka voi johtaa loukkaantumiseen, veneen tai sen osien vaurioitumiseen, sekä ympäristön vaurioitumiseen.

Käsikirjassa on käytetty SI-järjestelmän mukaisia yksiköitä. Joissain tapauksissa muita yksiköitä on lisätty sulkuihin. Poikkeuksena tästä on tuulen nopeus, joka on huvivenedirektiivissä esitetty bofo-reina.

## 3. Takuu

Veneellä ja sen varusteilla on 2 vuoden takuu, alkaen veneen käyttöönottopäivästä. Ota yhteys jälleenmyyjäsi mahdollisissa takuuasioissa. Muista ilmoittaa CIN-koodi. Mikäli mahdollista, ota reklaamaatiokohteesta digitaalikuva. Se nopeuttaa yleensä takuuasioiden käsittelyä.

## 4. Ennen käyttöönottoa

### 4.1. Rekisteröinti

Vesikulkuneuvorekisterin mukaisesti vene jonka moottorin teho on yli 20 hv (15 kW) tai vene jonka pituus on vähintään 5,5 metriä, on Suomessa merkittävä vesikulkuneuvorekisteriin. Tarkemmat ohjeet rekisteröinnistä saat Trafilta ([www.trafi.fi](http://www.trafi.fi)).

Rekisteröitävän moottorikäyttöisen vesikulkuneuvon kuljettajalta vaaditaan vähintään 15 vuoden ikä.

### 4.2. Vakuutukset

Venevakuutus voi korvata vesillä tai kuljetuksen ja telakoinnin aikana sattuvan vahingon. Varmista erikseen vakuutusvastuu venettä nostettaessa. Vakuutuksella on myös välillinen vaikutus turvallisuuteen, koska vakavan haverin sattuessa vesillä, voit keskittyä ennen kaikkea ihmisten pelastamiseen. Tarkempia tietoja eri vakuutusvaihtoehdoista antavat vakuutusyhtiöt. Varmista erikseen vakuutusvastuu venettä nostettaessa ja kuljettaessa!

### 4.3. Koulutus

Veneilyä käsittelevää kirjallisuutta on runsaasti. Navigointikursseja järjestävät Suomen Navigaatio-liitto yhdessä kansalais- ja työväenopistojen kanssa.

Veneilykouluista antaa tietoja Suomen Veneilyliitto. Nämä antavat hyvän pohjan taidoillenne, mutta varmuus veneen käsittelyssä, navigoinnissa, kiinnittämisessä ja ankkuroinnissa saavutetaan vasta pitkän käytännön harjoittelun jälkeen. Veneilyliitosta saatte myös tietoja paikallisista venekerhoista ja niiden toiminnasta.

## 5. Veneen ominaisuudet ja käyttö

### 5.1. Yleistä

Omistajan käsikirjan tarkoituksena ei ole olla täydellinen huolto-opas tai korjauskirja, vaan opastaa käyttäjää käyttämään venettä asianmukaisella tavalla.

### 5.2. Veneen perustiedot

Huviveneet voidaan suunnitella neljään suunnitteluluokkaan (A, B, C ja D) huvivenedirektiivin 2013/23/EU mukaan. Yamarin 60 DC on suunniteltu suunnitteluluokan C mukaisesti. Tässä alla selvitetään, mitä eri suunnittelukategorioiden tarkoittaa.

**Luokka A:** Vene on suunniteltu käytettäväksi olosuhteissa, joissa tuulen voimakkuus saattaa ylittää 8 boforia (n. 21 m/s) ja merkitsevä aallonkorkeus (katso huomautus jäljempänä) 4 metriä. Veneet ovat tällöinkin suureksi osaksi omavaraisia. Epänormaali olosuhteet kuten hurrikaanit jäävät ulkopuolelle. Kuvattuja olosuhteita voidaan kohdata pitkällä matkoilla, esimerkiksi valtameren ylityksissä, tai rannikolla, kun tuulelle ja aalloille avoin matka on useita satoja meripeninkulmia.

**Luokka B:** Vene on suunniteltu käytettäväksi olosuhteissa, joissa tuulen voimakkuus on enintään 8 boforia (n. 21 m/s) ja aallokko sen mukainen merkitsevä aallonkorkeus (katso huomautus jäljempänä) enintään 4 metriä. Tällaisia olosuhteita voidaan kohdata riittävän pitkällä avomerimatkoilla, tai rannikkovesillä, kun tuulelle ja aalloille avoin matka on useita kymmeniä meripeninkulmia.

Kuvattuja olosuhteita voidaan kohdata myös järvillä, jotka ovat riittävän suuria ko. aallonkorkeuden kehittymiselle.

**Luokka C:** Vene on suunniteltu käytettäväksi olosuhteissa, joissa tuulen voimakkuus on enintään 6 boforia (n. 14 m/s) ja aallokko sen mukainen merkitsevä aallonkorkeus (katso huomautus jäljempänä) enintään 2 metriä. Tällaisia olosuhteita voidaan kohdata avoimilla järvillä, jokisuistoissa, ja rannikkovesillä kohtuullisissa sääoloissa.

**Luokka D:** Vene on suunniteltu käytettäväksi olosuhteissa, joissa tuulen voimakkuus on enintään 4 boforia (n. 8 m/s) ja aallokko sen mukainen merkitsevä aallonkorkeus enintään 0,3 m, satunnaiset suurimmat aallot 0,5 m korkuisia. Tällaisia olosuhteita voidaan kohdata suojaisilla sisävesillä, ja rannikkovesillä hyvällä säällä.

**Huomautus:**

Merkitsevä aallonkorkeus on termi, jota käytetään venesuunnittelussa. Käytännössä merkitsevä aallonkorkeus saadaan huomioimalla korkein kolmannes kaikista vesialueella mitatuista aallonkorkeuksista ja ottamalla keskiarvo niistä. Jos merkitsevä aallonkorkeus on 2,0 metriä, on kaikkien aaltojen korkeuden keskiarvo noin 1,2 metriä.

Suurin suositeltu kuormitus: Katso tekninen erittely

Katso myös kohta 5.4 "Kuormitus".

**Päämitat ja kapasiteetit:**

Katso tekninen erittely

Veneen pituus, leveys, syväys, kokonaispaino, jne. sekä tankkikapasiteetit on esitetty teknisessä erittelyssä.

**Valmistajan kilpi:**

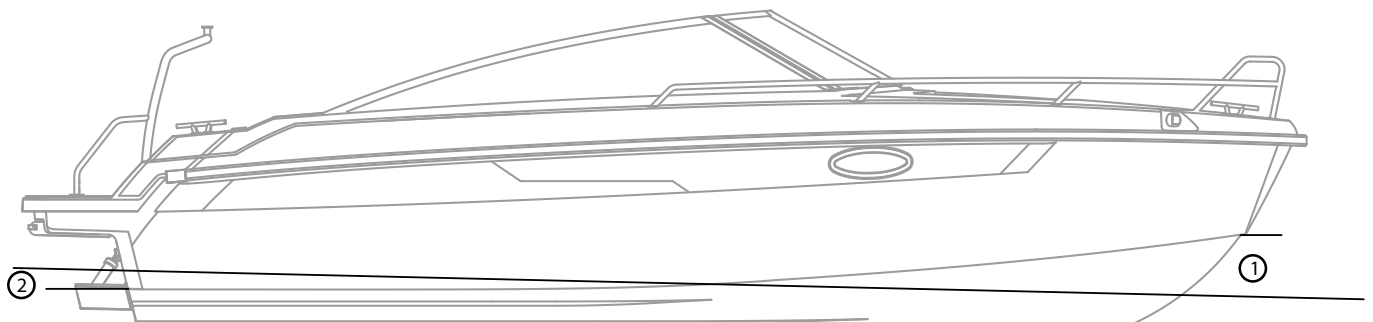
Veneeseen kaukohallintalaitteen läheisyyteen kiinnitetyssä valmistajan kilvessä on annettu osa em. tiedoista. Täydentävät selvitykset on annettu tämän käsikirjan asianomaisissa kohdissa.

### 5.3. Tekninen erittely

Malli	YAMARIN 60 DC
Suunnittelukategoria	C
Kokonaispituus	6.06 m
Leveys	2,22 m
Veneen paino	890 kg
Maksimikuormitus CE-kilvessä	870kg ( Henkilöt ja kuorma 611kg, raskain mahdollinen perämoottori 259kg)
Suurin sallittu moottori- teho	115hp (86 kW)
Suurin sallittu moottori- paino	259 kg
Polttoainetankin ti- lavuus	105 Litraa
Syvyys	n. 0,4m
Korkeus	n. 1,66m
Valmistusmateriaali	Lasikuitu
Värikoodit: - Runko: - Kansi	
Hydraulikaapeleiden pituus	16 jalkaa = 4,87m
Veneen maksiminopeus	Noin 37 solmua

Tuotantoteknisistä syistä veneen painossa ja mitoissa voi esiintyä vaihtelua.

#### Yamarin 60 DC:n vesilinja:



Vesilinja:	
- peräkulmassa	165 mm palteen kulmasta suoraan ylöspäin (2)
- keularangassa	520 mm alaspäin palteen vekistä keularangassa (1)

HUOM!

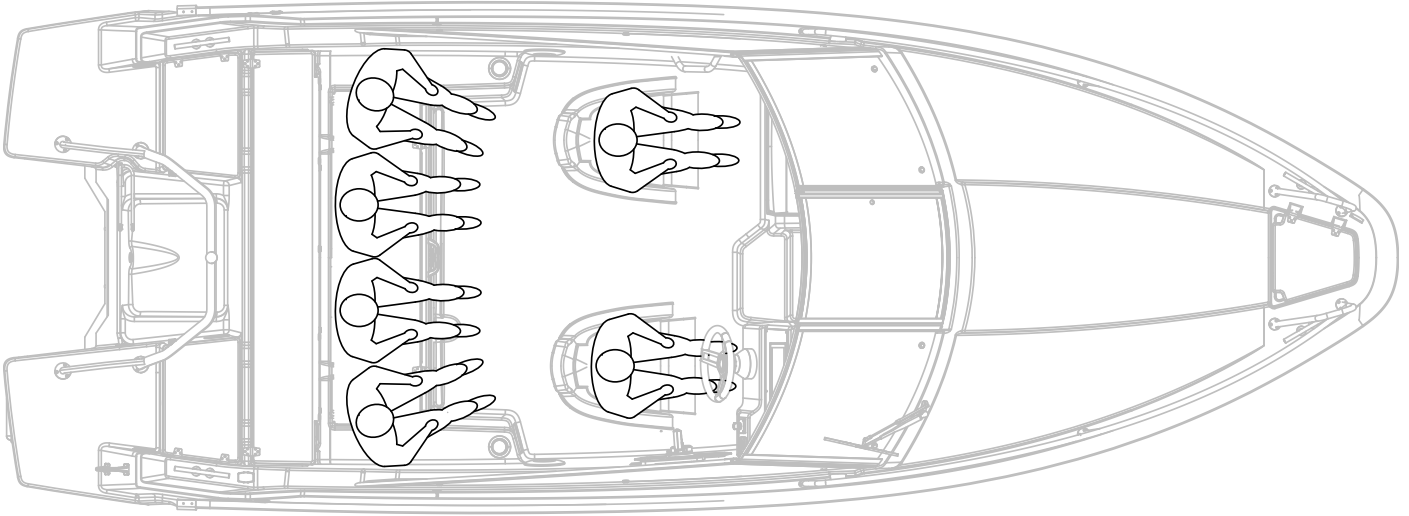
Mitat kertovat antifouling-värin ylärajan, eivät veneen todellista vesilinjaa



## 5.4. Suurin suositeltu henkilömäärä

Yamarin 60 DC:n suurin suositeltava henkilömäärä on 6 henkilöä.

Yamarin 60 DC:n istuinpaikat:



### **VAROITUS!**

Älkää ylittäkö suurinta suositeltua henkilömäärää. Veneessä olevien henkilöiden lukumäärästä riippumatta, henkilöiden ja varusteiden kokonaispaino ei saa koskaan ylittää suurinta suositeltua kuormitusta (katso kohta 5.5 Kuormitus). Käyttäkää aina veneessä olevia istuimia tai istuinpaikkoja. Ajon aikana tulee kaikkien veneessä olevien henkilöiden istua istuinpaikoilla.

### **HUOM!**

Jos lastaat veneen perästä keulaan päin, kuluttaa vene vähemmän polttoainetta.

## 5.5. Kuormitus

Yamarin 60 DC:n suurin sallittu kuormitus on 690 kg. Tähän lasketaan kuuluvaksi seuraavat painot: veneessä olevien henkilöiden yhteispaino 450 kg (yhden aikuisen oletuspaino 75 kg, lapsen 37,5 kg), kiinteissä säiliöissä olevien nesteiden (polttoaine) paino 79 kg, perusvarusteet 13kg, pelastuslautta 40 kg ja varusteiden paino 108 kg

### **HUOM!**

Suurin kuormitus sisältää vain edellä mainitut painokomponentit.

### **VAROITUS!**

Kuormatessanne venettä älkää koskaan ylittäkö suurinta suositeltua kuormaa. Lastatkaa vene aina huolellisesti ja jakakaa kuorma asianmukaisesti niin, että vene kelluu suorassa. Tavallisesti painavat tavarat tulee laittaa säilytystilaan takapenkin alle. Välttäkää sijoittamasta raskaita tavaroita korkealle.

## 5.6. Moottori ja potkuri

Yamarin 60 DC:n suurin suositeltava koneteho on 115 hv. Veneen rakenteet eivät ole mitoitettu suuremmalle teholle kuin 115 hv. Veneen ajo-ominaisuudet voivat olla hengenvaarallisia, jos veneessä on suurempi moottori kuin 115 hv. Veneen takuu ei ole voimassa jos venettä käytetään suuremmalla teholla kuin 115 hv. Noudattakaa potkurin valinnassa jälleenmyyjän ohjeita.

## 5.7. Veden sisäänpääsyn estäminen ja vakavuus

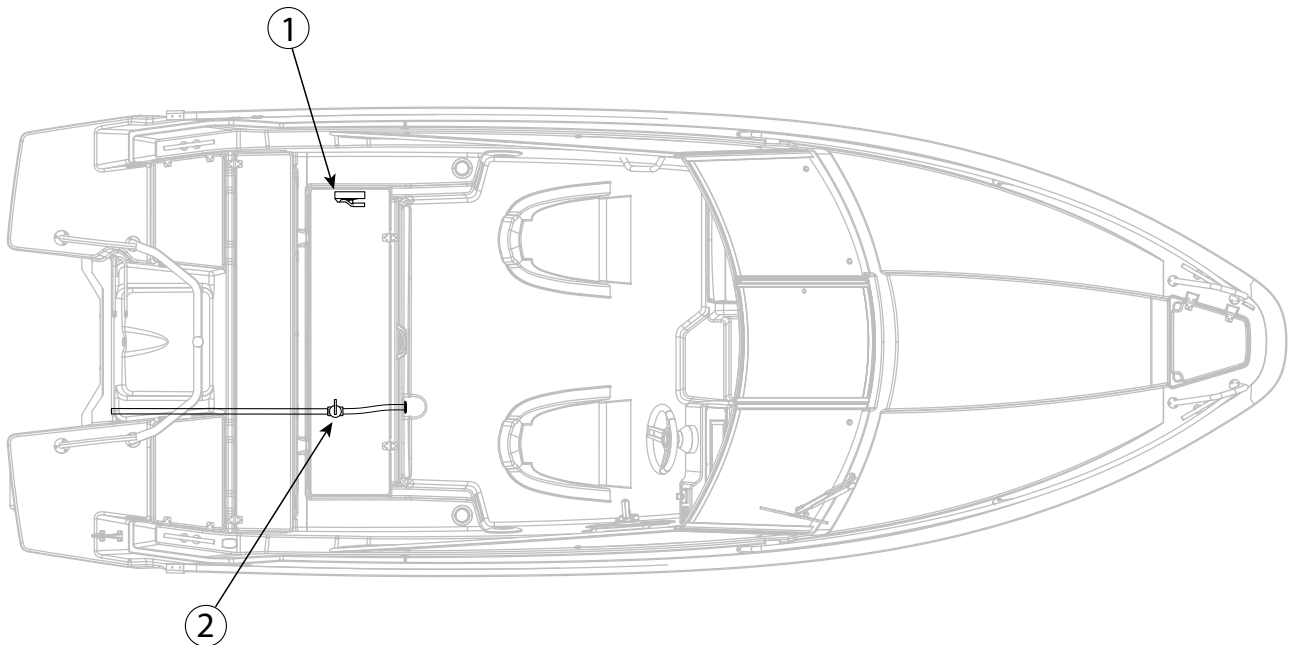
### 5.7.1 Rungon ja kannen läpiviennit sekä sulkuventtiilit

Yamarin 60 DC:ssä on sadevesityhjennys, joka tarkoittaa, että avotila tyhjenee sadevedestä kun vene on vesillä. Sadevesityhjennysjärjestelmä toimii myös maissa, kunhan keula on ylempänä kuin perä ja sadevesityhjennyksen venttiili on auki. Sadevesityhjennysventtiili sijaitsee takapenkin keskiluukun alla. Venttiili on tarkoitettu suljettavaksi vain suurimmalla sallitulla kuormalla mahdollisen veden sisäänpääsyn estämiseksi. Muissa tapauksissa venttiilin tulee aina olla auki, jotta sadevesi pääsee tyhjentämään veneestä.

Veneeseen on asennettu käsikäyttöinen pilssipumppu seuraavan kuvan mukaisesti. Käsikäyttöisen pilssipumpun kapasiteetti on n. 0,5 l/veto.

Veneen omistajan vastuulla on pitää veneessä vähintään 1 äyskäri tai ämpäri ja huolehtia, että ne on varmistettu häviämisen varalta.

Vene on varustettu korkean pilssiveden varoitusjärjestelmällä, joka varoittaa välipohjaan kertyneestä vedestä. Järjestelmään kuuluu pilssissä sijaitseva kohoanturi ja kojetauluun asennettu varoitusvalo.



1. Käsikäyttöinen pilssipumppu
2. Avotilan tyhjennyksen sulkuventtiili

**VAROITUS!**

Pilssipumppujärjestelmää ei ole suunniteltu karilleajosta tai muusta vauriosta aiheutuvan vuodon hallintaan (runkovaurio).

**TURVATOIMENPIDE!**

Tarkastakaa säännöllisin väliajoin, ettei käsikäyttöisen pilssipumpun imuletkujen päässä ole roskia. Pilssipumpun letkun pää sijaitsee kölin takapäässä, joten saat sen tarkastettua takasäilytystilan tarkastusluukun kautta.

**VAROITUS!**

Sulje tyhjennysputki aina, kun sen sisäpuolinen pää on kuormauksesta johtuen jatkuvasti vesilinjan alapuolella. Peräpeilissä oleva poistoaukon sulkuläppä estää veden sisääntulon vain peruutettaessa!

**HUOM!**

Huolehdi, että vesi pääsee esteettä virtaamaan ulos tyhjennysputkessa. Mahdolliset roskat, esim. syksyllä puun lehdet voivat estää veden virtaamisen, jolloin seurauksena vene voi täytyä vedellä ja upota. Tyhjennysjärjestelmä ei toimi pakkasella.

**HUOM!**

Välipohjaan kertyy aina hiukan kondenssivettä. Myös rungon läpiviennit saattavat päästä hiukan vettä läpi, varsinkin veneen vanhetessa. Muista tarkistaa veneen välipohja tarkistusluukun kautta aina ennen, kuin jätät veneen laituriin tai poijuun ja lähtiessäsi vesille. Korjauttakaa mahdolliset vuodot valtuutetussa huoltoliikkeessä.

**VAROITUS!**

Vene ajo-ominaisuudet voivat muuttua hengenvaarallisiksi jos veneen välipohjassa on vettä.

**VAROITUS!**

Kovassa kelissä luukut ja lokerot tulee pitää suljettuina vedellä täyttymisen riskin minimoimiseksi.

## 5.8. Vakavuus ja kelluvuus

Huomatkaa, että veneen vakavuus heikkenee minkä tahansa korkealle lisätyn painon vaikutuksesta. Kaikki muutokset massojen sijoittelussa voivat vaikuttaa huomattavasti veneen vakavuuteen, trimmiin ja suorituskykyyn. Muistakaa kuitenkin, että suuret murtuvat aallot ovat aina vakava vaara vakavuudelle.

## 5.9. Tulipalon tai räjähdysvaaran ehkäiseminen

### 5.9.1 Tankkaaminen

Ennen tankkauksen aloittamista sammuta moottori sekä tietenkin savukkeet. Tankkauksen aikana ei saa käyttää kytkimiä tai laitteita, jotka voivat aiheuttaa kipinöitä.

Jos täyttöpistooli lyö päältä pois tankatessasi sinun täytyy kääntää pistoolia esimerkiksi 90 astetta, jotta suihku ei osuisi suoraan ketjun kiinnitysruuviin.

Pidä aina mukana reservipolttoainetta. Sopivia säilytystiloja varakanisterille ovat erityisesti moilemmat taka-ankkurikotelot. Käyttäessäsi niitä, ei ole mitään riskiä, että kaasuuntunut polttoaine pääsisi kosketuksiin akkutilan tai sähköjärjestelmän kanssa.

Älkää säilyttäkö takapenkin alla irrallisia tavaroita, jotka voisivat siirtyessään estää moottorin polttoaineensaannin. Tämä koskee erityisesti tavaroita, jotka voivat siirtyä polttoaineletkuja tai suodatinta vasten. Tarkista polttoaineletkut vuosittain, varsinkin läpivientien kohdat, ettei niissä ole kulumia.

Huomatkaa, että tankin täyttä kapasiteettia ei aina voida käyttää veneen trimmi- tai kallistuskulmasta riippuen.

#### **VAROITUS!**

Kaasuuntunut polttoaine on helposti räjähtävää. Noudata ehdotonta varovaisuutta ja näitä ohjeita tankkauksen yhteydessä. Polttoaineen haju merkitsee aina, että veneessäsi on kaasuuntunutta polttoainetta.

### 5.9.2 Palontorjunta

Vene on varustettu 2 kg:n käsisammuttimella, luokka 8A 68 B. Jotta sammuttimen toiminta olisi varmistettu, tulee se tarkastuttaa kerran vuodessa valtuutetun tarkastajan toimesta. Mikäli käsisammuttimia vaihdetaan, tulee tilalle hankkia sammutuskyvyltään vähintään vanhaa käsisammutinta vastaava käsisammutin.

Varmistukaa siitä, että palonsammutusvälineet ovat helposti saatavilla myös silloin, kun vene on kuormattu. Tiedottakaa kaikille miehistön jäsenille palontorjuntavälineiden sijainti ja toiminta.

Älkää koskaan:

tukkiko kulkureittiä poistumisaukoille ja luukuille

tukkiko pääsyä turvalaitteisiin, esim. sähköjärjestelmän katkaisijoille

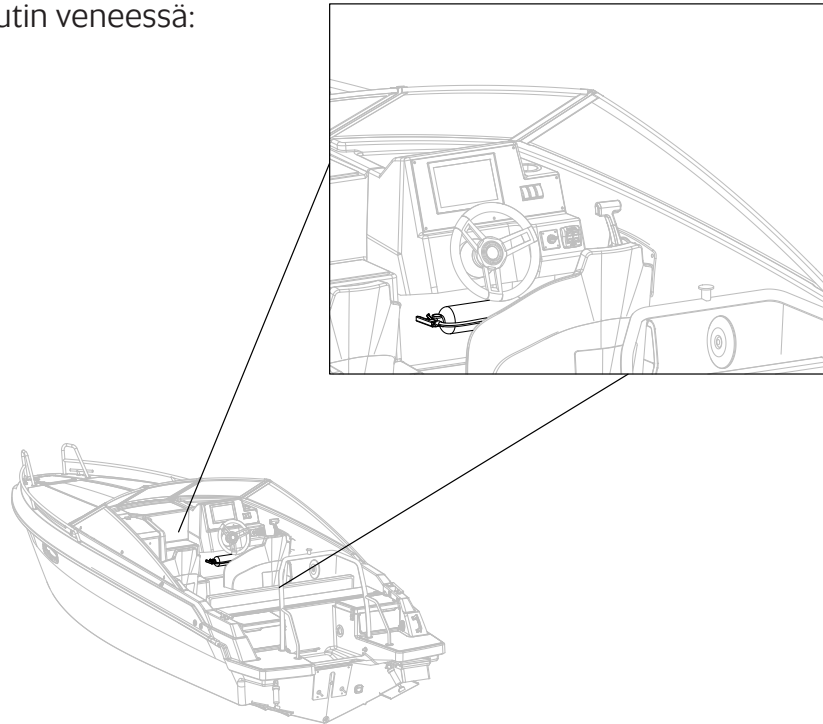
tukkiko pääsyä lokeroon sijoitetuille käsisammuttimille

muuttako mitään veneen järjestelmää (erikoisesti sähkö- tai polttoainejärjestelmää) tai salliko asiantuntemattoman henkilön tehdä muutoksia mihinkään veneen järjestelmään

tupakoiko käsitellessänne polttoainetta tai kaasua.

Sammuttimen sijainti veneessä:

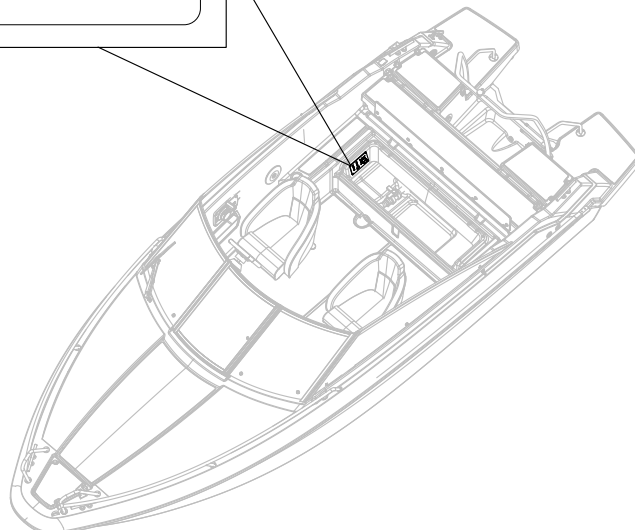
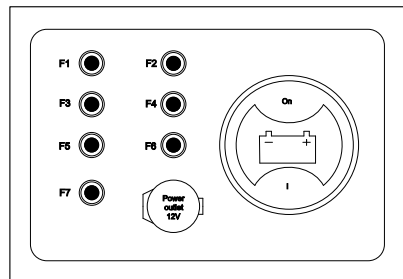
Käsisammutin veneessä:



## 5.10. Pääkytkin ja sulakkeet

Virtapiirien sulakkeet on sijoitettu pääkytkimen alapuolelle. Älkää muuttako sulakkeiden ampeerilukuja tai asentako sähköjärjestelmään komponentteja, joilla virtapiirin nimellisampeeriluku ylittyy.

Yamarin 60 DC:n pääkytkin:



Sulakkeet ovat automaattisulakkeita. Vikavirran syntyessä automaattisulake lyö ulos. Voit "kuitata" sulakkeen painamalla sen takaisin sisään. Jos sulake lyö uudestaan ulos, on sähköjärjestelmässä tai jossain komponentissa oikosulku. Tällöin joudutaan kääntymään sähköasentajan puoleen.

### **HUOM !**

Älä koskaan katkaise virtaa pääkatkaisimesta moottorin ollessa käynnissä! Tämä saattaa vahingoittaa moottorin sähköjärjestelmää.

## 5.11. Käyttö

Jos tämä on ensimmäinen veneesi tai sinulle uusi venetyyppi, ota ensimmäisillä kerroilla mukaasi henkilö, jolla on kokemusta vastaavasta veneestä.

### **HUOM!**

Veneen suurin propulsioteho on 85 kW (115 hv). Älä käytä venettä, jos siinä on suurempi konetehto, kuin valmistajan kilpeen merkitty konetehto.

## 5.12. Hallintalaitteet

Yamarin 60 DC:n hallitsemisen oppii nopeasti, mutta vaihtelevat olosuhteet, kuten tuuli ja aallokko, asettavat kuljettajan aina uusien tilanteiden eteen. Kaukohallintalaitteeseen on yhdistetty kaasu, vaihteet eteen ja taakse sekä moottorin rikikulman säätö. Veneessä on hydrauliohjaus.

### 5.12.1 Hätkatkaisin

Turvakytkin on laite, jonka toinen pää kiinnitetään kytkimeen, joka löytyy kaukohallintalaitteen alta ja toinen esimerkiksi pelastusliiveihin. Turvakytkin sammuttaa moottorin automaattisesti kun se irtoaa kytkimestä kaukohallintalaitteessa. On erittäin tärkeää, että vene pysähtyy, jos jostain syystä kuljettaja menettää tasapainonsa ja lentää pois ohjauspaikalta.

### **HUOM!**

Älä koskaan käytä venettä kiinnittämättä turvakytkintä itseesi. Jos kiinnität turvakytkimen käsivarteeksi, älä ohjaa venettä sillä kädellä, koska silloin ketju saattaa tarttua rattiin jyrkissä käännoksissä.

### **HUOM!**

Moottori ei käynnisty ellei turvakytkin ole kiinnitetty kytkimeen kaukohallintalaitteessa.

### **VAARA!**

Pyörivä potkuri on hengenvaarallinen veteen pudonneelle tai uimarille. Käyttäkää hätkatkaisijaa ja sammuttakaa moottori aina, kun uimari tai vesihiihtäjä nousee veneeseen.

### 5.12.2 Vaihteet ja kaasu

Saat kytkettyä vaihteen päälle painamalla vaihde/kaasukahvassa olevaa painiketta sormilla ylöspäin ja työntämällä tai vetämällä vaihde/kaasuvipua eteen tai taaksepäin sen mukaan, kumpaan suuntaan olet lähdössä liikkeelle. Kun vaihde on kytketty, voit säätää veneen nopeutta samalla vaihde/kaasuvivulla.

Kun vene on hitaassa kulussa eteenpäin, voidaan peruutusta käyttää jarruna esimerkiksi laituriin ajossa. Muutoin kuin hitaassa kulussa eteenpäin, peruutusvaihdetta ei saa kytkeä päälle, koska se vahingoittaa moottoria.

## 5.12.3 Moottorin rikikulman säätö

Perussäännöt koneen rikikulman säädössä ovat seuraavat:

Nostettaessa venettä liukuun pidä ”keula alas”-asento.

Veneen ollessa liu’ussa aallokon ollessa pieni, nosta keulaa kunnes moottori ja vene kulkee kevyesti. Mikäli moottoria trimmataan liian ylös, veneen nopeus laskee. Mikäli ajetaan liian pienellä trimmillä, vene kulkee hitaasti ja moottori käy raskaasti. Hyvän polttoainetalouden saavuttamiseksi on tärkeää ajaa oikealla moottorin trimmillä (=oikea trimmikulma).

Kovassa vasta-aallokossa laske keulaa alaspäin, jolloin kulku pehmenee.

Myötääallokossa nosta keulaa ylöspäin, jottei se ”sukeltaisi” aaltoihin.

### **VAROITUS!**

Älä aja venettä suurilla nopeuksilla moottori ylöstrimmattuna, (= keula ylhäällä), koska riskinä on, että vene kallistuu rajusti potkurin osuessa ilmalennon jälkeen veteen suuressa aallokossa. Samaten ei tule ajaa suurilla nopeuksilla moottori täysin negatiiviseksi trimmattuna (= keula alhaalla), koska tämä voi johtaa siihen, että vene kallistuu äkkiarvaamatta veneen keulan osuessa veteen.

### **VAROITUS!**

Aallot heikentävät veneen ohjailtavuutta ja kallistavat venettä. Ottakaa tämä huomioon vähentämällä nopeutta aallokon kasvaessa.

## 5.12.4 Moottorin käynnistäminen

Kytke virta päälle pääkytkimestä.

Laske moottori ajoasentoon painamalla peukalolla vaihde/kaasukahvassa olevaa Power Trim -kytkintä alas.

Tarkista, että vaihde/kaasukahva on vapaa-asennossa ja turvakytkin on kytketty kaukohallintalaitteen kytkimeen.

Kytke virta päälle käynnistämättä konetta.

Käynnistä moottori kiertämällä virta-avainta myötäpäivään, kunnes se starttaa. Mikäli kaikki on kunnossa, moottorin tulisi käynnistyä 1-2 sekunnin kuluessa. Mikäli moottori ei käynnisty, starttaamista ei tule jatkaa yli 10 sekuntia kerrallaan.

Kun moottori on käynnistynyt, anna sen käydä tyhjäkäynnillä muutama minuutti ennen kun lähdet ajamaan. (Katso moottorin käyttöohjekirja!)

Tarkemmat käyttöohjeet löydät moottorin ohjekirjasta.

## 5.12.5 Ajaminen

Kauniilla ja tyyneellä säällä ajaminen on helppoa. Muista kuitenkin riittävän tähystyksen välttämättömyys. Jotta ohjauspaikalta olisi mahdollisimman hyvä näkyvyys: sijoita matkustajat siten, ettei näkökenttäsi rajoitu  
älä aja kauaa liukukynnysnopeudella, jolloin keulan nousu haittaa näkyvyyttä  
huonossa näkyvyydessä tähystä tuulilasini ylitse  
erityisesti laivaväylillä muista vilkuilla myös taaksepäin.

### **HUOM!**

Käytä pimeän tullen kulkuvaloja.

Sovita aina nopeutesi vallitseviin olosuhteisiin sekä ympäristöön. Ota huomioon:  
aallokko (kysy myös matkustajien mielipidettä mukavasta nopeudesta)  
omat peräaaltosi (suurimpia liukuun nousussa, pienimpiä uppoumanopeudella, eli alle 5 solmua)  
näkyvyys (saaret, sumu, sade, vasta-aurinko)  
reitin tuntemus (navigointiin tarvittava aika)  
reitin ahtaus (muut vesilläliikkujat, melu ja peräaallot rannoilla)  
varmistakaa, että teillä on aina törmäyksen välttämiseen tarvittava etäisyys, joka riittää veneen pysäyttämiseen tai väistämiseen.

Hitaasti ajettaessa liukuvalla veneellä on heikompi suuntavakausta kuin kovemmassa vauhdissa. Ole siten tarkkana kapeikoissa ja varsinkin kohdatessasi toisia veneitä. Opetelkaa meriteiden säännöt (esim. Editan julkaisemasta kirjasta "Vesiliikenteen säädökset") ja seurakaa niiden antamia ohjeita sekä COLREG:n (kansainväliset säännöt yhteentörmäämisen ehkäisemiseksi merellä) vaatimuksia. Navigoikaa huolellisesti ja käyttäkää uusia tai päivitettyjä merikortteja.

Veneen kulkuasento vaikuttaa voimakkaasti ajo-ominaisuuksiin kuten myös polttoaineenkulutukseen, sekä näkyvyyteen ohjauspaikalta. Kulkuasentoon voit vaikuttaa: kuorman sijoittelulla. Yleissääntö on, että mahdollisimman vähän painoa keulaan. moottorin rikikulman säädöllä.

Oikea kulkuasento sopivaan nopeuteen yhdistettynä tekee myös aallokossa ajon mukavammaksi ja turvallisiksi.

### **VAROITUS!**

Suuri nopeus ja äkilliset ohjausliikkeet saattavat johtaa veneen hallinnan menettämiseen ja suuriin kallistuskulmiin.

### **HUOM!**

Venettä ei ole suunniteltu siihen, että sitä hyppyytetään aalloissa niin, että se irtoaa vedestä kokonaan. Takuu ei korvaa vaurioita, jotka ovat syntyneet ilmalennon johdosta. Mahdolliset ilmalennot voidaan tarkastaa moottorin historiikista tietokoneen avulla.

## **Laituriin ajo ja laiturista lähteminen**

Harjoittele veneen käsittelyä laiturin lähestymistilanteissa paikassa, missä on hyvää tilaa ennen kuin ajat venettäsi ahtaaseen satamaan ensimmäistä kertaa.

Kovin varovainen kaasuttaminen ei anna tarvittavaa ohjausvoimaa. Tehokkaat ohjausliikkeet laituriin ajettaessa saadaan, kun kaasua käytetään napakasti, mutta lyhyitä jaksoja.



Pidä huoli, että kaikki veneessä olijat, joiden ei ole pakko seisoa, istuvat, kun käsittelet venettä laituriin ajaessasi. Äkilliset ohjausliikkeet voivat kallistaa venettä ja aiheuttaa loukkaantumisia.

Ennen laituriin ajoa, varusta kiinnitysköydet valmiiksi keulaan ja perään. Lähesty laituria pienessä kulmassa keula edellä. Juuri ennen kosketusta laituriin, käännä ohjaus laituria kohti ja vaihda peruutukselle. Kaasuta lyhyesti ja napakasti. Vene pysähtyy ja kääntyy laiturin suuntaiseksi. Jos mahdollista, aja laituriin vastatuuleen tai vastavirtaan sen mukaan, kumpi on voimakkaampi. Silloin on helppoa lähteä jatkamaan matkaa, kun tuuli tai virta painaa veneen irti laiturista. Irtautumaan pääset parhaiten, kun työnnät ensin perän niin kauas laiturista kuin mahdollista. Peruuta sitten hitaasti irti laiturista selville vesille.

Potkuri on suunniteltu antamaan paras pitonsa eteenpäin ajettaessa. Peruutettaessa potkurin teho on siis heikompi. Vene ei myöskään tottele ohjausta peruutettaessa yhtä hyvin kuin eteenpäin ajettaessa.

### **VAROITUS!**

Yamarin 60 DC on nopea vene. Se ei pysähdy liu'usta hetkessä. Hidasta nopeutta ajoissa ennen rantaan tai laituriin ajoa. Opettele arvioimaan veneen pysähtymiseen tarvittava matka. Muista, että vene ohjautuu huonosti, jos veto ei ole päällä.

### **VAROITUS!**

Älä yritä pysäyttää venettä käsivoimin, äläkä laita kättäsi tai jalkaasi veneen ja laiturin, rannan tai toisen veneen väliin! Harjoittele rantautumista hyvissä olosuhteissa! Käytä konevoimaa hillitysti mutta määrätietoisesti!

### **HUOM!**

Kiinnittäessäsi venettäsi ota huomioon tuulen kääntyminen, vedenpinnan nousu tai lasku, peräaalot jne. Lisäohjeita saat mm. vakuutusyhtiöiltä.

## **5.12.6 Kuomun käyttö**

Kuomu on mitoitettu kestävänsä enintään 30 solmun nopeuden vesillä ja vastaavasti 50 km/h maantiellä. Kaikki kuomun nepparit pitää olla kunnolla kiinni ajon aikana. Jotta saisit kuomun mahtumaan helpommin kuomukoteloon, suosittelimme, että otat kuomun sivut ja takaosan pois. Tämän jälkeen taitat sivujen yläosat kokonaan katon päälle niin, ettei jää kangasta kuomukaarien kulmien kohdalle. Lopuksi rullaat katto-osan ja sen päälle taivutetut sivuosat huolellisesti ja lasket kuomun kuomukoteloon.

## **5.12.7 Tuulilasin ovi**

Tuulilasin ovi tulee aina pitää suljettuna ja lukittuna veneen ajon aikana.

### **VAROITUS!**

Merenkäynnissä, kovassa tuulessa tai tuulenpuuskissa tulee ovi pitää suljettuna, koska muuten on olemassa riski, että ovi saattaa paiskautua kiinni itsestään. Ovi on raskas ja se saattaa aiheuttaa henkilövahinkoja, mikäli se osuu henkilöön paiskautuessaan kiinni.

### **VAROITUS!**

Veneen ollessaan paikalla isot aallot tai tuulenpuuska voi johtaa siihen, että ovi yllättäen lyö kiinni. Tästä syystä on suositeltavaa pitää ovi aina kiinni, kun ei kuljeta etukannen kautta.

## 5.13. Oikea käyttö – muut suositukset ja ohjeet

### 5.13.1 Mies yli laidan

Mies yli laidan – tilanne on aina vakava. Sitä kannattaa harjoitella etukäteen hyvällä säällä, sillä onnettomuuden sattuessa siihen ei ole mahdollisuutta. Käytä aina hyväksytyä kelluntapukinetta.

Vene on varustettu kiinteillä uimatikkailla, jonka saa käyttöön myös vedestä käsin. Uimatikkaat aukeavat täyteen pituuteensa nykäisemällä tikkaiden ylös käännettyä jatko-osaa veneestä pois päin ja laskemalla se alas. Varo jatko-osan teleskoopitikaista. Se voi liukua itsestään ulos, kun tikkaita käännetään alas.

Veneestä veteen joutunut kannatta aina auttaa takaisin veneeseen perästä. Veneeseen kiinnitetty köysilenkki helpottaa nostamista. Veneen uimaportaat ulottuvat noin 55 cm veden alle. Jos veteen pudonnut on lapsi, on aikuisen aina hypättävä perään mukanaan esim. ylimääräiset pelastusliivit tai lepuuttaja, mutta jonkun on jätävä myös veneeseen.

On erittäin tärkeää säilyttää näkökontakti ja keskusteluyhteys pudonneeseen.

#### **VAARA!**

Pyörivä potkuri on hengenvaarallinen veteen pudonneelle tai uimarille. Käyttäkää hätäkatkaisijaa ja sammuttakaa moottori aina, kun uimari tai vesihiihtäjä nousee veneeseen.

### 5.13.2 Irrallisten varusteiden kiinnittäminen

Kiinnittäkää kaikki painavat varusteet, kuten ankkurit, luotettavasti paikalleen ennen liikkeellelähtöä.

### 5.13.3 Ympäristön huomioonottaminen

Suomen saaristo ja järvet ovat ainutlaatuisia ja niiden luonnon säilyttäminen on veneilijänkin kunnia-asia. Vältä siis polttoaine- tai öljyvuoja roskien tai jätteiden tyhjentämistä vesistöön tai jättämistä rannalle pesuaineiden tai liuottimien päästämistä veteen kovaa melua sekä vesillä että satamissa tarpeettoman korkeaa peräaaltoa erityisesti kapeikoissa tai matalissa vesissä.

Huolla moottorisi hyvin ja aja taloudellista nopeutta, jolloin myös pakokaasukaasupäästöt pysyvät pieninä.

Jokaista luonnossa liikkuvaa koskee ns. jokamiehenoikeus, jonka mukaan toisen mailla saa pihapiiriä lukuun ottamatta liikkua vahinkoa ja haittaa aiheuttamatta. Tämä oikeus sallii myös liikkumisen vesistöissä ja tilapäisen ankkuroimisen, uimisen ja maihin nousemisen asumattomaan rantaan, ellei sitä ole erikseen virallisesti kielletty. Asuttujen rantojen viereen ankkuriin jääminen on kiellettyä. Ilman lupaa ei myöskään saa kiinnittyä toisen laituriin tai asuttuun rantaan.

Tutustukaa kansainvälisiin sääntöihin merten saastumisen ehkäisemiseksi (MARPOL) ja kunnioittakaa niitä niin paljon kuin mahdollista.

Saarissa voi telttailla, ellei se aiheuta maanomistajalle vahinkoa. Telttailu on kielletty lähellä pihajärvien alueita ja viljelyksiä. Nuotion saa sytyttää vain, jos maanomistajalta on lupa. Veneilijät saavat myös poimia luonnonvaraisia marjoja ja sieniä, kunhan eivät vahingoita puita tai luontoa. Tarkasta oman alueesi säännöt luonnossa liikkumisesta.

## 5.13.4 Veneen kiinnittäminen ja ankkurointi

Kiinnittäkää veneenne aina suojaisaankin paikkaan huolellisesti, koska olosuhteet saattavat muuttua nopeasti. Kiinnitysköysien tulisi olla varustetut joustimilla nykäysten vaimentamiseksi. Katso kiinnityspisteet luvusta Hinaus. Käyttäkää riittävän suuria lepuuttimia hankautumisen estämiseksi.

Veneen keulassa oleva silmukka on tarkoitettu trailerikäyttöä varten. Kannessa oleva silmukka on tarkoitettu veneen lukitusta varten. Silmukoiden sijainti on esitetty sivulla 36.

### **HUOM!**

Varo, ettei lukko tai kettinki hankaa veneen kannen reunaa.

Veneen etupollareiden lujuus eteenpäin on vähintään 20,9 kN eli noin 2 000 kg. Vastaavasti takapollareiden lujuus taaksepäin on 14,6 kN eli noin 1 400 kg.

Veneessä tulee käyttää ankkuria, jonka paino on 5 kg tai enemmän. Laske ankkuri riittävän kauas rannasta. Kohtuullinen pito saavutetaan kun köyttä on 4 - 5 kertaa veden syvyys.

### **VAROITUS!**

Älkää yrittäkö pysäyttää venettä käsivoimin älkääkä laittako kättänne tai jalkaanne veneen ja laiturin, rannan tai toisen veneen väliin.

### **HUOM!**

Kiinnittäessänne venettänne ottakaa huomioon tuulen kääntyminen, vedenpinnan nousu tai lasku, peräaallot jne. Lisäohjeita saatte mm. vakuutusyhtiöiltä.

### **HUOM!**

On omistajan / käyttäjän vastuulla tarkistaa, että veneen kiinnitys ja ankkurointivarustus on sopiva veneen tarkoitettulle käytölle.

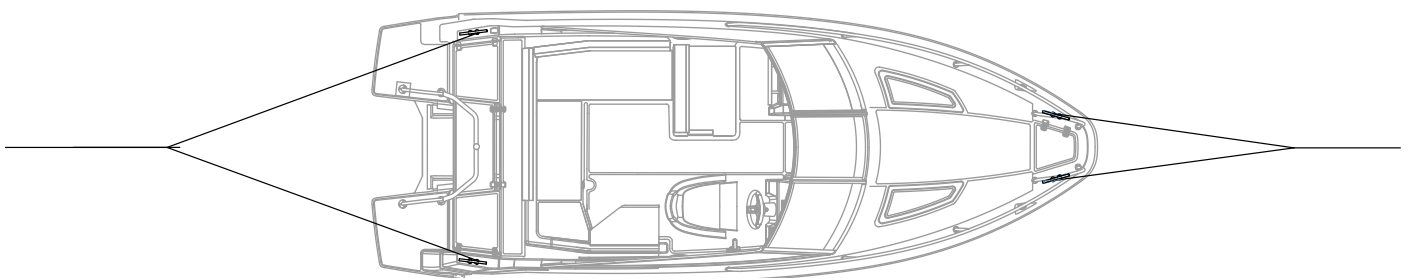
## 5.13.5 Hinaus

Kun hinaat toista venettä, käytä riittävän vahvaa, kelluvaa hinausköyttä. Aloita hinaus varovaisesti, vältä nykäyksiä, älä ylikuormita moottoria.

Veneen omistajan tulee harkita, mitkä toimenpiteet ovat tarpeellisia veneen hinausköyttä varmistettaessa.

Kun hinaat tai jos venettäsi joudutaan hinaamaan, kiinnitä hinausköysi peräpollareihin seuraavan kuvan mukaisesti.

Hinausköyden kiinnittäminen pollareihin.



## **VAROITUS!**

Hinausköysi on suuren jännityksen alainen. Jos se katkeaa, saattaa katkenneella päällä olla hengenvaarallinen nopeus. Käyttäkää aina riittävän paksua köyttä älkääkä oleskelko köyden vetolinjalta.

## **HUOM!**

Kun hinaat tai olet hinattavana, käytä aina pientä nopeutta. Jos on kyse uppoumarunkoisesta veneestä, älä koskaan ylitä hinauksessa runkonopeutta.

## **HUOM!**

Hinausköysi tulee aina kiinnittää siten, että se on irrotettavissa kuormitettuna.

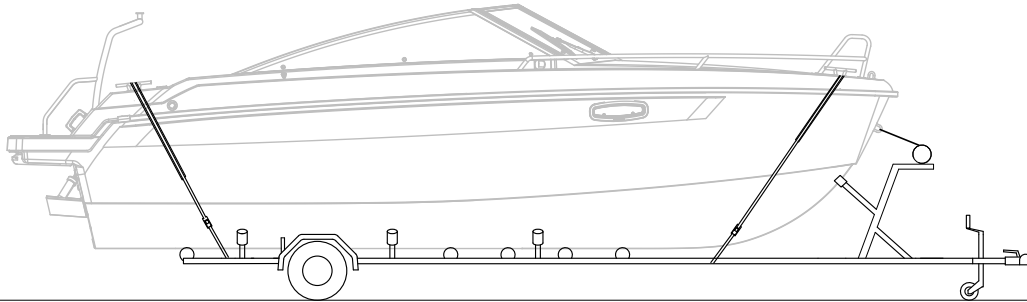
### **5.13.6 Trailerikuljetus**

Painotiedot trailerikuljetukseen löytyvät teknisestä erittelystä. Trailerin kölitukien tulisi kantaa suurin osa veneen painosta. Säädä sivutuet siten, ettei vene pääse heilumaan sivusuunnassa. Tarvittaessa kysykää lisätietoja jälleenmyyjältä oikeasta tuentatavasta ja trailerin koosta.

Puhdista tuet mahdollisesta hiekasta ja liasta, jotta ne eivät naarmuttaisi pohjaa. Tarkista vielä kerran, että trailerin ja auton vetonupin lukitus on varma!

Nostopaikan tulee olla suojainen ja traileriluiskan ulottua riittävän syvälle. Aja traileri niin syvälle, että takimmainen kölituki on juuri vedenpinnan alapuolella. Aja veneen keula varovasti kiinni takimmaiseen kölitukeen. Kiinnitä vinssin vaijeri hinaussilmukkaan ja kelaat vene trailerille huolehtien koko ajan siitä, että vene pysyy trailerin keskilinjalla suorassa. Jotta moottori ei osuisi pohjaan, muista trimmata moottori ylös ennen kuin nostat veneen trailerille.

Yamarin 6ODC:n kiinnittäminen traileriin.



Sido vene tiukasti kiinni traileriin ennen kuljetuksen aloittamista. Keulan liinat tulee suuntautua "alas-taakse" ja perän liinat alas-eteen. Älä jätä veneeseen irtonaisia tavaroita tai ylimääräistä kuormaa kuljetuksen ajaksi. Ota istuintyyny pois ja sulje kaikki luukut kunnolla.

Moottorin tulisi olla kuljetuksen aikana ajoasennossaan. Huolehdi kuitenkin riittävästä maavarasta. Jos maavara ei tässä asennossa riitä, moottorin voi kuljettaa kipattuna. Silloin se on tuettava sopivalla tukilaitteella perälaudan suojelemiseksi.

Mikäli venettä säilytetään trailerilla kuljetusten välillä, on liinat löysättävä säilytyksen ajaksi ja kiristettävä ennen seuraavaa kuljetusta.

## **HUOM!**

Trailerin tulee olla hiukan etupainoinen. Sopiva aisapaino on 4 % trailerin kokonaismassasta, mutta kuitenkin vähintään 25 kg. Aisapaino ei kuitenkaan saa ylittää vetävän ajoneuvon valmistajan vetokoukulle määrittämää suurinta pystysuuntaista kuormaa. Varmista, että vene on kiinnitetty riittävän

tiukasti traileriin ja että veneen paino jakautuu sivutuille tasaisesti. Jos heiluva vene iskeytyy kuljetuksessa yksittäistä tukea vasten, voi runko vaurioitua.

Laskiessasi venettä trailerilta muista kiinnittää keulaköysi valmiiksi veneeseen, jotta voit irrottaa trailerin vaijerin hinaussilmukasta heti, kun vene on vedessä. Varo vinssikampea!

### **5.13.7 Telakointi**

Talvisäilytyspukin tulee olla riittävän kestävä juuri kyseiselle vene/moottori- yhdistelmälle. V-pukien väliin tulisi laittaa vahva lankku (esim. 2x4”), joka tukee köliä ja kantaa suurimman osan veneen painosta. Sivutuet eivät saa kannatella venettä. Sivutuet eivät saa osua nousulistojen kohdalle ja pistekuormia tulee välttää. Tukirakenteen tulee olla varsinkin peräpeilin läheisyydessä vahva, jotta se kantaa myös moottorin painon.

Anna nosto tehtäväksi vain luotettavalle nosturiliikkeelle tai venetelakalle, jolla on riittävä nostokapasiteetti. Ota huomioon veneen omapainon (katso tekninen erittely) lisäksi veneessä olevat varusteet ja muu kuorma.

Kun venettä nostetaan, on liinat laitettava pohjan alle ja huolehdittava, että vene pysyy noston aikana vaakasuorassa.

#### **HUOM!**

Venettä ei saa nostaa pollareista.

#### **VAARA!**

Älä mene veneen alle, kun se roikkuu nosturin varassa.

## 6. Veneen ja varusteiden kunnossapito

Pidä veneesi ja sen varusteet puhtaina ja siisteinä. Se lisää viihtyisyyttä ja turvallisuutta sekä veneen jälleenmyyntiarvoa.

Tutustukaa moottorin ohjekirjassa (liite) esitettyihin huoltotoimiin. Tehkää ne itse huolellisesti tai antakaa valtuutetun huoltoliikkeen tehtäväksi.

### 6.1. Veneen pesu ja vahaus

Kannen ja kylkien hoidoksi riittää yleensä pesu ja vahaus. Pesuun sopivat parhaiten erityiset veneenpesuaineet. Älä käytä voimakkaita liuottimia, ne voivat himmentää lujitemuovipintojen kiiltoa. Hankaumien tai pinttyneen lian poistamiseen voit käyttää lievästi hiovia kiillotusaineita. Lasikuitupinnat voi hyvin pestä painepesurilla.

#### **Yleisvinkki:**

Vesijohtovedellä pestyyn veneeseen jää sen kuivuttua ohut, liitumainen kalkki- ja mineraalikerrostuma, joka johtuu veden kovuudesta. Tästä pääsee eroon sekoittamalla ämpärilliseen huuhteluvettä muutaman tipan mäntysaippualliuosta.

#### **Yleisvinkki:**

Vesihelmi- ja kalkkitahrat katoavat haponkestävistä kaiteista Lemon Pled –kalustesuihkeella. Kaiheet alkavat hohtaa kuin veistämön linjalla.

#### **Yleisvinkki:**

Jos veneköydet tuoksuvat kauden jälkeen pahalta, upota ne pariiksi tunniksi vesiämpäriin, jossa on pullollinen omenaviinietikkaa ja loraus pyykinhuuhteluainetta. Anna kuivua kunnolla ja köydet ovat kuin uudet.

### 6.2. Istuintyynyjen hoito-ohjeet

Suojaa aina veneen avotilan tyynyjä sateelta kuomulla tai satamapeitteellä. Vaikka istuintyyny ja kuljettajan istuin on tehty vedenkestävästä materiaalista, niiden saumat päästävät vettä läpi. Tyynyjä on syytä suojata suihkuttamalla niihin Sunbrella-spreytä. Jos tyyny ovat pitemmän ajan kosteina, ne homehtuvat ja menevät pilalle. Jos patjat kastuvat märiksi, voi kankaan irrottaa avaamalla patjassa olevan vetoketjun ja kuivattaa esim. auringonpaisteessa, huoneenlämpötilassa tai saunassa (50 °C). Takuu ei korvaa istuintyynyjä, jotka ovat pilaantuneet sateesta tai kosteudesta.

#### **HUOM!**

Jotta veneen istuintyyny säilyisivät hyväkuntoisina talven yli, niitä pitää säilyttää kuivassa ja hyvin tuuletetussa tilassa.

#### **HUOM!**

Märkiä tyynyjä ei pidä laittaa säilytystiloihin, koska ne homehtuvat helposti.

#### **HUOM!**

Erillisistuintuimissa tulee käyttää suojahuppua aina, kun venettä ei käytetä. Mikäli istuimet ovat kastuneet käytön aikana, tulee ne kuivata huolellisesti ennen suojahupun asettamista. Erityisesti istuintyynyn alle jää helposti kosteutta.

Istuintyynyjen nepparit pitää käsitellä silikonivaseliinilla silloin tällöin, muuten ne saattavat tarttua kiinni niin lujasti, että kangas voi mennä rikki niitä irrottaessa. Takuu ei korvaa rikottuja istuintyynyjä. Laita hyvin vähän silikonivaseliinia keralla, jotta tyyny ei sotkeutuisi.

### 6.3. Tiikkikannen hoito-ohjeet

Riippuen siitä, kuinka likaantunut tiikkikansi on, se puhdistetaan seuraavalla tavalla:

Lievästi likaantunut:

Pestään saippuavedellä ja kovalla sienellä. Kova sieni on esimerkiksi 3M:n vihreä sieni, joka taitaa olla tuttu useimmille. Vaihtoehto kovalle sienelle on juuriharja.

Kovasti likaantunut ja naarmuttunut tiikkikansi:

Suoritetaan kuivahionta epäkeskohiomakoneella käyttäen karkeudeltaan 120-paperia (pahimmat kohdat voi hioa jopa 80-paperilla). Hyvin ohuen, noin 0,5 mm, pintakerroksen poistaminen riittää hyvin, koska tiikki on kova ja tiivis, öljymäinen puulaji, johon lika ei pääse imeytymään syvälle. Tiikkiriman paksuus on noin 8 mm ja proppujen paksuus noin 5 mm. Puolen tai jopa yhden millimetrin poistamisella ei ole mitään merkitystä tiikkikannen kestävyyskannalta, mutta tuloksena saadaan uudenveroinen tiikkikansi.

#### **VAROITUS!**

Älä koskaan pese tiikkikantta painepesurilla, koska se voi rikkoa puupinnan tai saumat. Teräsharjat eivät myöskään kuulu tiikinpuhdistusvälineisiin.

Puhdistuksen jälkeen on kaksi vaihtoehtoa pintakäsittelylle:

Tiikkipintaa ei käsitellä ollenkaan vaan annetaan olla ihan sellaisenaan. Toiset ihmiset tykkäävät tiikin sateen ja auringon patinoimasta hopeanharmaan sävyisestä pinnasta.

Levitetään ohut kerros tiikkiöljyä ja saadaan esiin puun alkuperäinen, ruskeanpunertava kaunis väri. Värillistä tai lakkaa sisältävää tiikkiöljyä ei suositella. Jos halutaan, että tiikkikansi pysyy koko kesän ruskeanpunertavana, se pitää pestä ja käsitellä öljyllä ainakin kaksi kertaa. Jos tiikkikanteen levitetään öljyä pesemättä sitä ensin, likaa imeytyy puuhun ja kansi muuttuu tummaksi. Pesu on siis kaikkein tärkein asia, jos halutaan pitää tiikkikansi alkuperäiskunnossaan. Tiikkikannen tulee olla täysin kuiva, kun sitä käsitellään öljyllä. Öljykäsittelyä ei pidä suorittaa suorassa auringonvalossa.

### 6.4. Synteettisen tiikkikannen hoito-ohjeet

Synteettinen tiikkikansi pestään juuriharjalla ja pesuaineella (esim. autoshampoo). Synteettisen tiikkikannen voi pestä myös painepesurilla. Tarvittaessa pintaa voi myös hioa hiomapaperilla (karheus jopa 80).

**HUOM!** Synteettistä tiikkiä ei saa käsitellä öljyllä tai vahalla.

### 6.5. Kuomun hoito-ohjeet

Säilytä kuomu talven yli kuivassa ja hyvin tuuletetussa tilassa. Kuomun nepparit pitää silloin tällöin käsitellä silikonivaseliinilla, muuten ne saattavat tarttua kiinni niin lujasti, että kuomu voi mennä rikki niitä avattaessa. Takuu ei korvaa rikottuja kuomuja.

### 6.6. Tuulilasin hoito-ohjeet

Veneen tuulilasi on karkaistua lasia ja sitä voi pestä normaaleilla lasinpuhdistusaineilla.

Yleisvinkki: Kun peset veneen tuulilasin, vältä kuivaamisessa pyörivää liikettä. Se jättää lasille ikäviä pyörretahroja, jotka näkyvät vastavalossa ja haittaavat näkyvyyttä. Käytä sanomalehtiä tai puuvillariepua ja pyyhi pesujäljet ensin vaaka- ja sitten pystysuuntaisesti. Toista muutaman kerran ja ikkunat sädehtivät.

## 6.7. Haponkestävien osien hoito-ohjeet

Säilyttääkseen veneen haponkestävät osat, kuten kahvat, kaiteet ja pollarit kirkkaina ja uudenveroisina, on veneen omistajan pidettävä osat puhtaina ja vahattuina. Myös kaiteiden kiinnityslaippojen reunoja tulee pudistaa. Lika, joka jää laipan reunan alle alkaa vähitellen näyttämään ruosteelta. Ellei mitään vaurioita tapahdu, on osat puhdistettava ja vahattava vähintään kaksi kertaa kesässä. Myös syksyllä, kun vene siirretään talvivarastoon, on kaiteet puhdistettava ja vahattava.

## 6.8. Kaukohallintalaitteen hoito-ohjeet

Kaukohallintalaite ei normaalisti tarvitse muuta huoltoa kuin rasvaamisen ja säädön talvihuollon yhteydessä. Jos kaukohallintalaite jostain syystä muuttuu jäykäksi, sitä pitää huoltaa välittömästi.

## 6.9. Ohjaujärjestelmän hoito-ohjeet

Hydrauliohjaus ei normaalisti vaadi huoltoa. Jos ohjaus muuttuu ”löysäksi”, järjestelmässä on vuoto. Vuoto on välittömästi korjattava!

### **VAROITUS!**

Hydrauliohjausjärjestelmä, jossa on vuoto tai ilmaa, on hengenvaarallinen.

## 6.10. Sähkökomponenttien hoito-ohjeet

Sähkökomponentit kuten päävirtakatkaisimet, kaikki muut katkaisimet, liittimet eivät normaalisti vaadi huoltoa jos venettä talvisäilytetään kuivassa ja hyvin tuuletetussa paikassa. Jos kuitenkin haluat suojata veneen sähkökomponentteja hapettumista vastaan teet sen parhaiten suihkuttamalla ne kosteuden- ja korroosionestoaineella.

## 6.11. Pienet pintakorjaukset

Pienet pintavauriot veneen rungossa tai kannessa voit korjata itse. Siistin ja huomaamattoman lopputuloksen aikaansaaminen vaatii kuitenkin taitoa:

Suojaa korjattavan alueen ympäristö teipillä.

Hio kolhun reunat viistoiksi ja puhdistasetonilla.

Jos vaurion syvyys on yli 2 mm kannatta täyttää kitillä ennen maalausta.

Sekoita topcoatiin 1.5-2 % kovetinta.

Levitä topcoat korjattavaan kohtaan niin, että pinta jää hiukan ympäröivää pintaa korkeammalle.

Aseta varovasti teippi korjauksen päälle.

Topcoatit kovetuttua irrota teippi ja tarvittaessa hio paikkaus siistiksi 600:n ja 1200:n vesihiomaperillä.

Kiillota korjaus hiomatahnalla ja vahalla.

Veneessä käytetyt värisävyt on esitetty teknisessä erittelyssä. On hyvä tietää, että veneen valmistuksen yhteydessä on käytetty gelcoat-nimistä maalia, mutta jälkepäin pintaa korjataan kuitenkin aina topcoat-nimisellä maalilla. Gelcoat-maali ei kovetu ilman muottipintaa, mutta topcoatiin on lisätty parafiiniä, joka mahdollistaa kovettumisen.

### **HUOM!**

Eräät jälkiasennukset ja muutostyöt voivat väärin tehtyinä aiheuttaa vahinkoa veneen rakenteelle tai olla vaaraksi turvallisuudelle. Ota yhteys jälleenmyyjään, mikäli suunnittelet muutoksia veneeseen.



## 7. Veneen talvisäilytys

Veneen talvitelakointi on Suomessa jokasyksyistä rutiinia. Nosta veneesi maihin hyvissä ajoin ennen jäiden tuloa. Venettäsi ei ole mitoitettu jäissä ajoa varten eikä tarkoitettu käytettäväksi alle 0 °C lämpötiloissa (esim. sadevesityhjennysjärjestelmä jäätyy). Talvitelakoinnin yhteydessä on hyvä käydä läpi kaikki huolto-, korjaus- ja tarkistustoimet.

Tutustu moottorin ohjekirjassa esitettyihin huoltotoimiin. Suosittelemme, että annat ne valtuutetun huoltoliikkeen tehtäväksi. Muista myös kaukohallintalaitteen ja ohjausjärjestelmän huoltotoimet. Suorita näiden huolto erillisten ohjeiden ja ohjekirjojen mukaisesti.

### 7.1. Toimenpiteet ennen talvisäilytystä

Pese veneen pohja heti maihin noston jälkeen. Levä ja lima irtoavat helpoimmin, kun ne eivät ole päässeet kuivumaan. Tyhjennä jäähdytysvesi moottorista ohjekirjan mukaisesti.

Tee moottorille ja muille laitteille talvihuolto erillisten ohjekirjojen mukaisesti. Jos varastoit veneesi talven yli ulkosalla tai kosteissa tiloissa, tyhjennä se tekstiileistä ja muista varusteista, jotka voivat homehtua tai muuten mennä pilalle kosteudessa. Pese köydet makeassa vedessä. Uusi kuluneet köydet. Jätä läpivientien venttiilit auki. Irrota ja jätä tyhjennystulppa irti talven ajaksi.

Tarkista rungon kunto ja hio mahdolliset kolhut auki siten, että laminaattiin mahdollisesti tunkeutunut kosteus pääsee kuivumaan. Korjaa vauriot keväällä ennen veneen vesille laskua.

Peitä veneesi niin, ettei lunta pääse kertymään veneen sisälle. Huolehdi kuitenkin aina riittävästä tuuletuksesta. Lisävarusteena on saatavissa talvisuoja veneellesi.

### 7.2. Toimenpiteet ennen vesillelaskua keväällä

Korjatkaa tai korjauttakaa mahdolliset gelcoatissa olevat kolhut kohdan 6.11 mukaisesti.

Merialueilla tulee kasvillisuuden kiinnittyminen pohjaan estää antifouling-värillä. Pohjan ja erityisesti potkurin likaantuminen lisää polttoaineenkulutusta huomattavasti. Jos kuitenkin venettä säilytetään joen suistossa tai Perämerellä, tai nostetaan vedestä vähintään noin kahden viikon välein, ei antifouling-väriä tarvita. Seuratkaa maalatessanne huolellisesti maalinvalmistajan ohjeita. Jos hiotte vanhaa myrkkäväriä, muistakaa, että syntyvä hiomapöly tai -liete on myrkyllistä.

Järvialueella ei tarvita antifouling-väriä. Suosittelemme kuitenkin epoksi-primerin käyttöä jos vene on vedessä useita kuukausia joka vuosi. Makea vesi, erityisesti lämmin makea vesi imeytyy laminaattiin helpommin kuin merivesi.

#### **HUOM!**

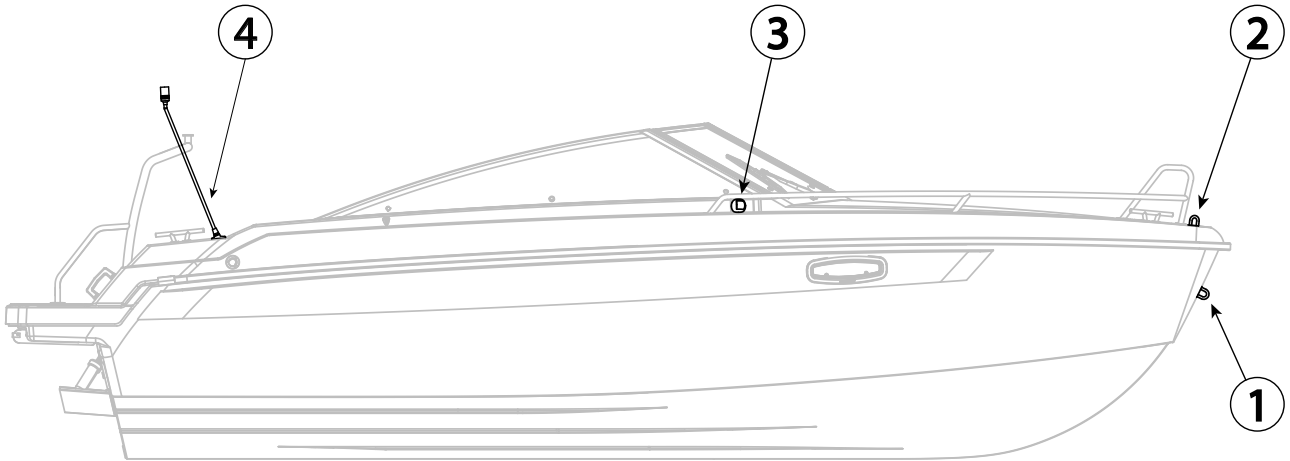
Älä maalaa moottorin kipin hydraulisynterierien männänvarsia. Älä käytä alumiiniosissa kuparipitoisia maaleja. Seuraa maalinvalmistajan ohjeita.

Tee moottorin vaatimat huoltotoimet moottorin ohjekirjan mukaisesti. Tarkista sähkölaitteiden toiminta ja poista hapettumat sulakkeiden ym. liitoksista.

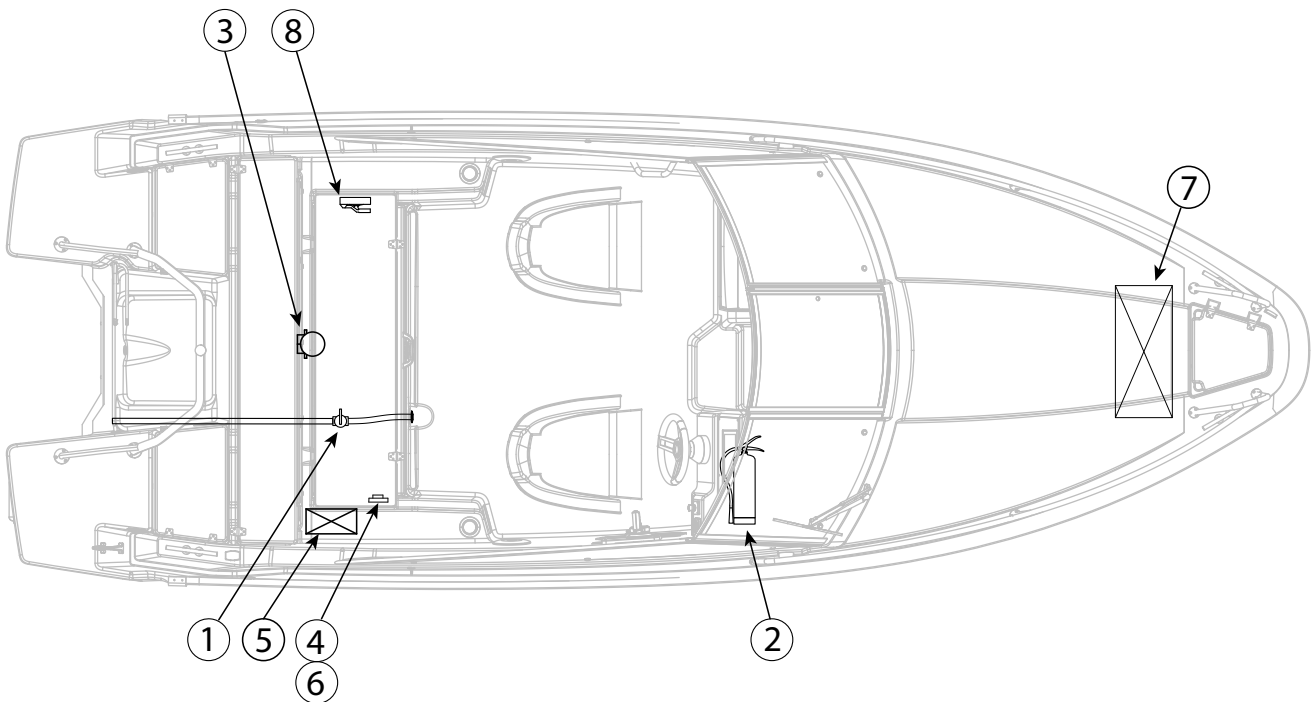
Muista, että bensiini vanhentuu, keväällä pitää aina käynnistää tuoreella bensiinillä. Laskettuasi veneen vesille avaa kaikki läpivientien venttiilit ja tarkista, ettei letkuissa tai liittimissä ole vuotoja. Läpivientien sijainti on esitetty luvussa 5. Tuo turvavarusteet veneeseen ennen vesille lähtöä.

## 8. Järjestelyt

### 8.1. Yleisjärjestelyt



- |                    |              |
|--------------------|--------------|
| 1. Keulasilmukka   | 3. Kulkuvalo |
| 2. Lukitussilmukka | 4. Valomasto |



- |                                   |                                      |
|-----------------------------------|--------------------------------------|
| 1. Sadevesityhjennyksen venttiili | 5. Akku                              |
| 2. Sammutin                       | 6. Päävirtakytkin                    |
| 3. Polttoainesuodatin             | 7. Mahdollisen pelastuslautan paikka |
| 4. Sulaketaulu                    | 8. Käsipilssipumppu                  |

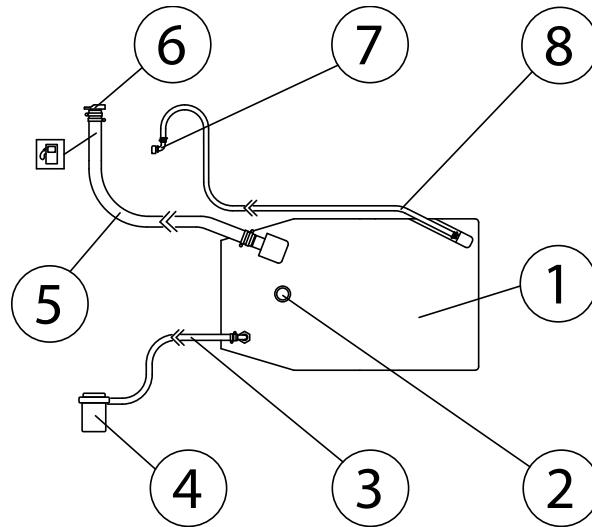
## 8.2.

### Polttoainejärjestelmä

Yamarin 60 DC on varustettu kiinteällä polttoainesäiliöllä. Polttoainelinjaan on asennettu polttoainesuodatin, joka toimii myös vedenerottajana. Suodatin pitää vaihtaa ainakin kerran vuoteen. Kun uusi suodatin tai paikaltaan pois ollut suodatin on asennettu paikoilleen, täytyy polttoainelinja pumpata täyteen pallopumpulla ennen koneen käynnistämistä.

#### **HUOM!**

Polttoaineletkujen kunto on tarkistettava säännöllisin väliajoin ja niiden vaurioituminen on pyrittävä estämään. Vialliset polttoaineletkut on vaihdettava. Jos vaihdatte polttoaineletkuja, niin varmistakaa, että niissä on ISO 7840 -merkintä.



- |                             |                                  |
|-----------------------------|----------------------------------|
| 1. Polttoainetankki         | 5. Polttoainetankin täyttöletku  |
| 2. Polttoainetankin anturi  | 6. Polttoaineen täyttöhela       |
| 3. Polttoaineen syöttöletku | 7. Polttoainetankin huotinhela   |
| 4. Polttoainesuodatin       | 8. Polttoainetankin huotoinletku |

## 8.3. Ohjausjärjestelmä

Yamarin 60 DC on varustettu hydrauliohjauksella. Hydrauliohjausjärjestelmän ominaisuuksiin kuuluu, että ratin asento muuttuu jatkuvasti ja siksi veneessä on symmetrinen ohjauspyörä. Hydrauliletkujen pituus on 4,87 metriä.

Hydrauliohjaus ei normaalisti vaadi huoltoa. Jos ohjaus muuttuu ”löysäksi”, järjestelmässä on vuoto. Vuoto on välittömästi korjattava!

#### **HUOM!**

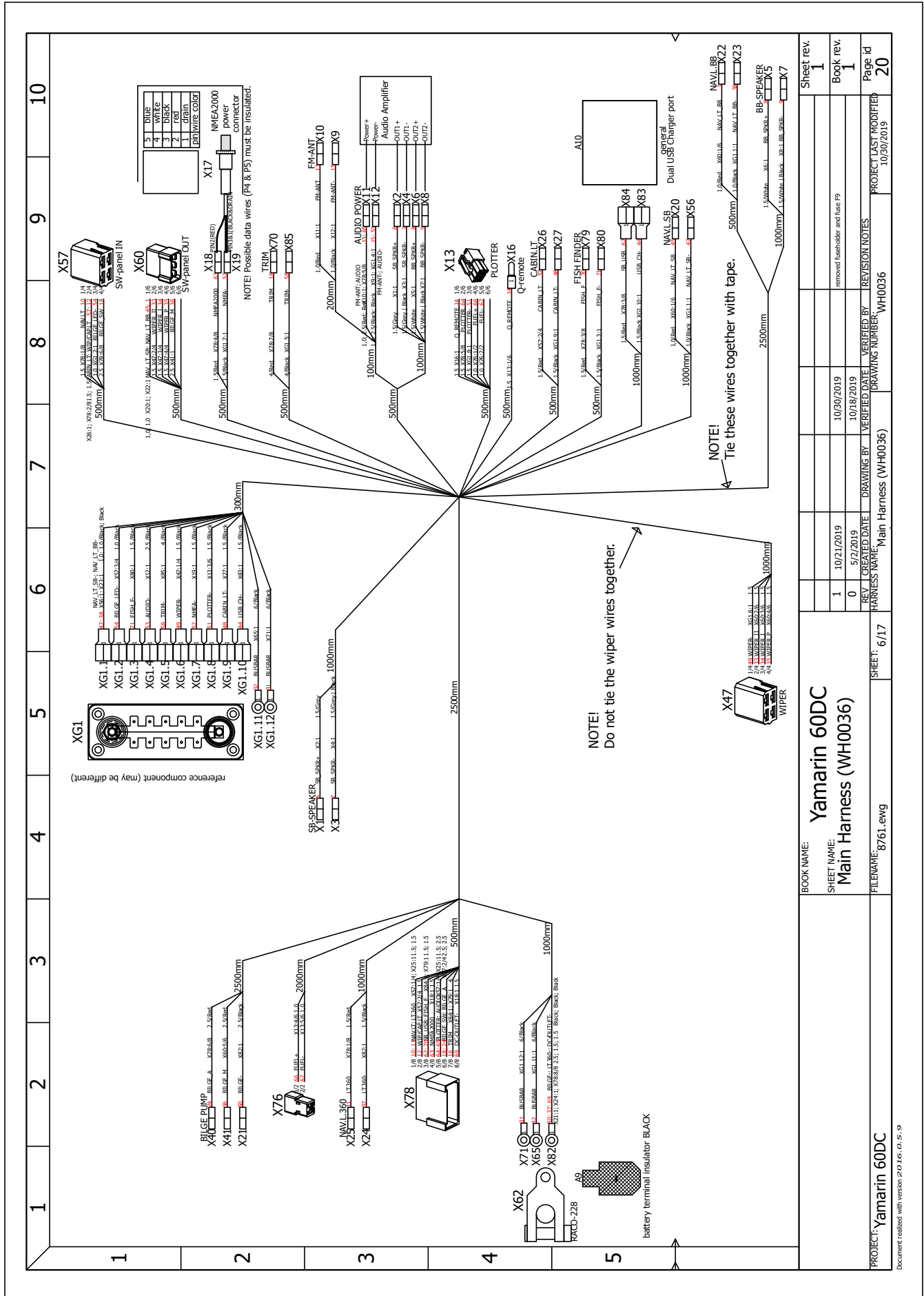
Jos vaihdat jonkun ohjausjärjestelmään kuuluvan komponentin sinun tulee tietää, että kaikkien komponenttien tulee täyttää ISO 10592 standardin vaatimukset ja olla CE-merkittyjä.

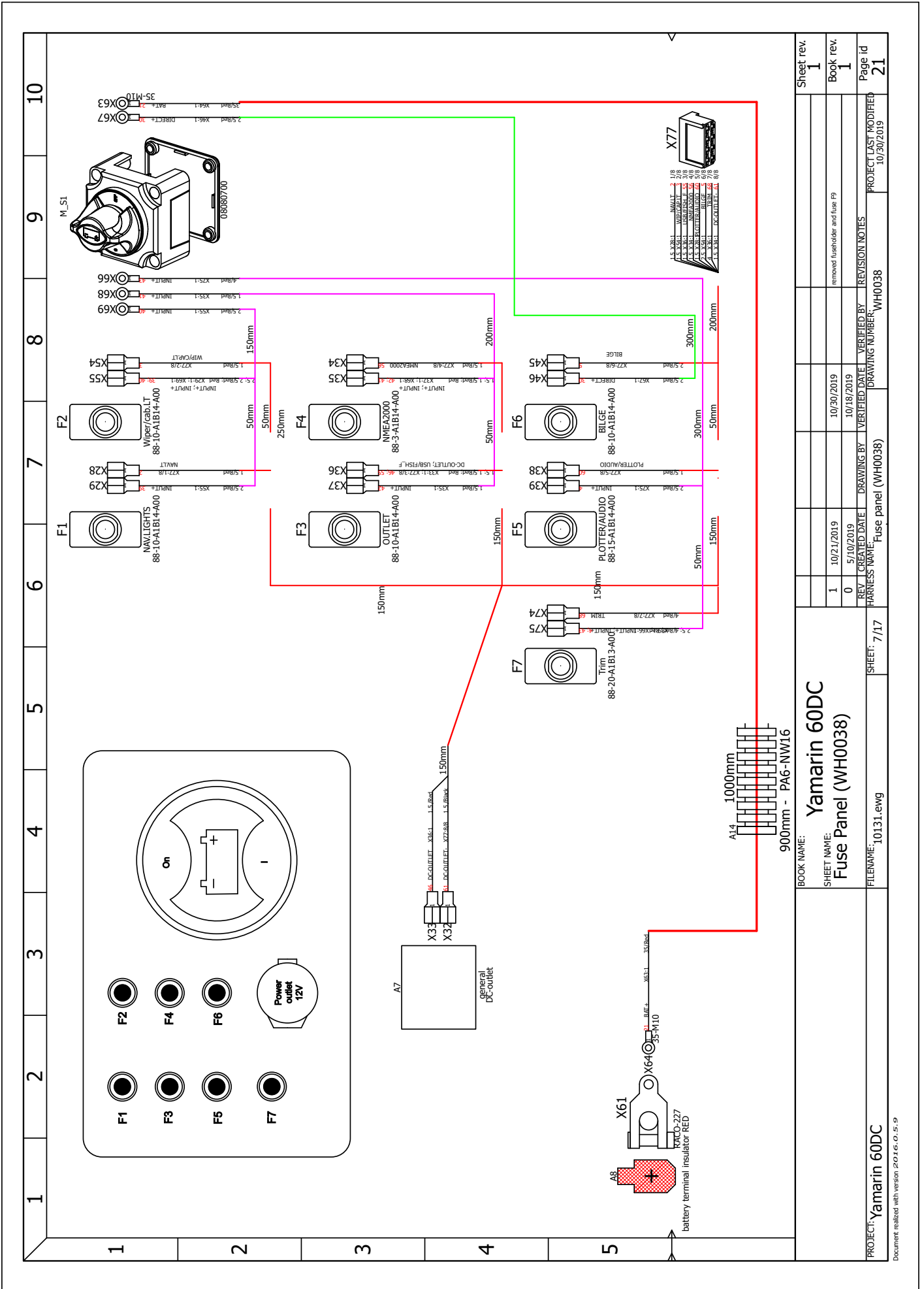
#### **VAROITUS!**

Hydrauliohjausjärjestelmä, jossa on vuoto tai ilmaa, on hengenvaarallinen.

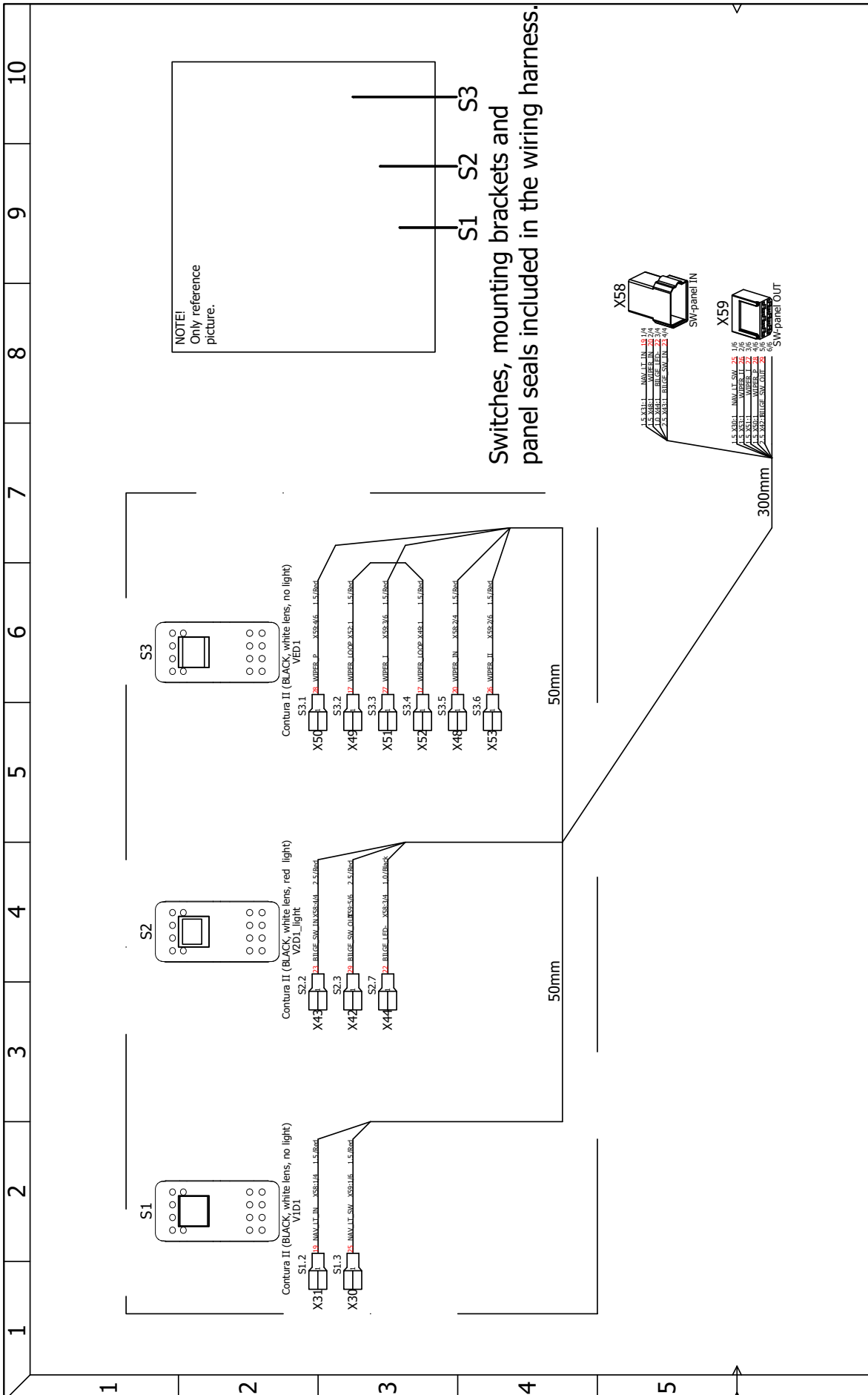
# 9. Sähköjärjestelmä

## 9.1. Kytentäkaavio





PROJECT: <b>Yamarin 60DC</b>		SHEET: 7/17		DRAWING NUMBER: <b>WH0038</b>		PROJECT LAST MODIFIED: 10/30/2019	
FILENAME: <b>_10131.ewg</b>		BOOK NAME: <b>Yamarin 60DC</b>		REVISION NOTES		Page id <b>21</b>	
SHEET NAME: <b>Fuse Panel (WH0038)</b>		SHEET NAME: <b>Fuse panel (WH0038)</b>		DRAWING BY: <b>VERIFIED DATE: 10/18/2019</b>		Book rev. <b>I</b>	
BOOK NAME: <b>Yamarin 60DC</b>		BOOK NAME: <b>Yamarin 60DC</b>		DRAWING BY: <b>VERIFIED DATE: 10/18/2019</b>		Book rev. <b>I</b>	
SHEET NAME: <b>Fuse Panel (WH0038)</b>		SHEET NAME: <b>Fuse panel (WH0038)</b>		DRAWING BY: <b>VERIFIED DATE: 10/18/2019</b>		Book rev. <b>I</b>	
FILENAME: <b>_10131.ewg</b>		FILENAME: <b>_10131.ewg</b>		DRAWING BY: <b>VERIFIED DATE: 10/18/2019</b>		Book rev. <b>I</b>	
SHEET: 7/17		SHEET: 7/17		DRAWING NUMBER: <b>WH0038</b>		Page id <b>21</b>	
BOOK NAME: <b>Yamarin 60DC</b>		BOOK NAME: <b>Yamarin 60DC</b>		DRAWING NUMBER: <b>WH0038</b>		Page id <b>21</b>	
SHEET NAME: <b>Fuse Panel (WH0038)</b>		SHEET NAME: <b>Fuse panel (WH0038)</b>		DRAWING NUMBER: <b>WH0038</b>		Page id <b>21</b>	
FILENAME: <b>_10131.ewg</b>		FILENAME: <b>_10131.ewg</b>		DRAWING NUMBER: <b>WH0038</b>		Page id <b>21</b>	
SHEET: 7/17		SHEET: 7/17		DRAWING NUMBER: <b>WH0038</b>		Page id <b>21</b>	
BOOK NAME: <b>Yamarin 60DC</b>		BOOK NAME: <b>Yamarin 60DC</b>		DRAWING NUMBER: <b>WH0038</b>		Page id <b>21</b>	
SHEET NAME: <b>Fuse Panel (WH0038)</b>		SHEET NAME: <b>Fuse panel (WH0038)</b>		DRAWING NUMBER: <b>WH0038</b>		Page id <b>21</b>	
FILENAME: <b>_10131.ewg</b>		FILENAME: <b>_10131.ewg</b>		DRAWING NUMBER: <b>WH0038</b>		Page id <b>21</b>	
SHEET: 7/17		SHEET: 7/17		DRAWING NUMBER: <b>WH0038</b>		Page id <b>21</b>	



Switches, mounting brackets and panel seals included in the wiring harness.

PROJECT: Yamarin 60DC		SHEET: 8/17		DRAWING NUMBER: WH0037		REVISION NOTES		PROJECT LAST MODIFIED: 10/30/2019		Page id		22	
BOOK NAME: Yamarin 60DC		SHEET NAME: Switch Panel (WH0037)		FILENAME: 10175-ewg		REV_CREATED DATE		DRAWING BY		VERIFIED DATE		VERIFIED BY	
1		10/21/2019		10/30/2019		10/30/2019		10/30/2019		10/30/2019		Book rev.	
0		5/14/2019		10/18/2019		10/18/2019		10/18/2019		10/18/2019		1	
1		10/30/2019		10/30/2019		10/30/2019		10/30/2019		10/30/2019		Sheet rev.	
1		10/30/2019		10/30/2019		10/30/2019		10/30/2019		10/30/2019		1	



**Yamarin 60 Bow Rider  
Användarhandbok**

## FÖRORD

Bästa båtägare av Yamarin 60 Day Cruiser! Vi tackar Dig för att ha valt en Yamarin

Syftet med denna handbok är att hjälpa Dig använda Din båt säkert och angenämt. Handboken innehåller detaljerade beskrivningar av båtens utrustning och system samt information om användande och skötsel av båten. Vi uppmanar Dig att läsa handboken noga och att bekanta Dig med Din båt före Du tar den i bruk.

Ägarens handbok är naturligtvis inte en kurs i sjömanskap eller båtsäkerhet. Försäkra Dig om att skaffa erfarenhet av hantering och användning av båten innan Du tar ansvaret som båtens befälhavare ifall detta är Din första båt, eller om Du bytt till en båttyp Du ännu inte känner till. Återförsäljaren, båtklubbarna, eller de nationella båtförbunden ger gärna information om lokala båtskolor.

Ägarens handbok är inte en detaljerad instruktionsbok för underhåll eller felsökning. Tag kontakt med återförsäljaren i svåra fall. Se alltid till att kompetenta och skolade personer sköter båtens service, reparation och ändringsarbete. Sådana förändringar som kan ha inverkan på båtens säkerhetsegenskaper, skall bedömas, genomföras och dokumenteras av kompetenta personer. Båttillverkaren är inte ansvarig för förändringar som han inte har godkänt.

Håll alltid Din båt i gott skick och ta i beaktande att båten behöver underhåll och service. Vilken båt som helst - oberoende hur hållbar den är - kan skadas betydligt, ifall den missbrukas. Anpassa alltid båtens fart och kurs i förhållande till vågförhållandena.

Vi rekommenderar att alla ombord på båten använder flytväst eller .

**Vi önskar Er många trevliga stunder till sjöss med Er Yamarin 60 Day Cruiser!**

Inhan Tehtaat, Inha Works  
Hahdenniementie 2  
FI-21120 Raisio  
Finland

[www.yamarin.com](http://www.yamarin.com)

FÖRVARA DENNA HANDBOK PÅ ETT SÄKERT STÄLLE OCH GE DEN VIDARE TILL NÄSTA ÄGARE, IFALL NI SÄLJER BÅTEN.



# Contents

81	Allmänt
81	Definitioner
81	Garanti
82	Före ibruktagande
82	Registrering
82	Försäkringarna
82	Utbildning
82	Båtens egenskaper och användning
82	Allmänt
82	Grundläggande information om båten
84	Teknisk specifikation
85	Högsta rekommenderade antalet personer ombord
86	Belastning
86	Motorn och propellern
86	Förhindrande av vatteninträngning och stabilitet
86	Skrov- och däcksgenomföringar samt avstängningsventiler
88	Stabilitet och flytbarhet
88	Undvikande av eldsvåda eller fara för explosion
88	Tankning
88	Brandförsvar
89	Huvudbrytare
90	Användning
90	Manöverutrustning
90	Nödbrytare
90	Växlar och gas
90	Justering av riggvinkel
91	Start av motorn
91	Körning
92	Körning till och från bryggan
93	Kapellet
93	Dörren till vindrutan
93	Rätt användning – andra rekommendationer och anvisningar
93	Man överbord
94	Fastsättning av lös utrustning
94	Beaktande av miljön
94	Ankring och förtöjning
95	Bogsering
96	Trailertransport
97	Sliptagning
97	Förvaringsbockens mått.
97	Service och underhåll
97	Tvätt och rengöring
98	Skötsel­anvisningar för sittdynorna
98	Skötsel­anvisningar för teakdäck
99	Skötsel­anvisningar för syntetiskt teakdäck
99	Skötsel­anvisningar för kapellet
99	Skötsel­anvisningar för vindrutan
99	Skötsel­anvisningar för syrafasta delar
99	Service av fjärreglaget
99	Skötsel­anvisningar för styrsystemet
99	Skötsel­anvisningar för elkomponenterna
100	Små ytreparationer
100	Vinterförvaring
101	Åtgärder inför sjösättningen
102	Arrangemang
102	Allmänt arrangemang
103	Styrsystem
104	Kopplings­schema



## FÖRSÄKRAN OM ÖVERENSSTÄMMELSE FÖR FRITIDSBÅT GÄLLANDE KONSTRUKTIONS-, TILLVERKNINGS- OCH BULLERKRAV (Ifylls av tillverkaren eller tillverkarens utsedda representant)

**Båttillverkarens namn:** Inhan Tehtaata Oy Ab, Inha Works Ltd.

**Adress:** Hahdenniementie 2

**Stad:** Raisio **Postnummer:** 20810 **Land:** Finland

**Den utsedda representantens namn (i förekommande fall) :** \_\_\_\_\_

**Adress:** \_\_\_\_\_

**Stad:** \_\_\_\_\_ **Postnummer:** \_\_\_\_\_ **Land:** \_\_\_\_\_

**Kontrollförfarande för konstruktion och tillverkning:**  A  A1  B+C  B+D  B+E  B+F  G  H

**Anmält organ vid kontroll av konstruktion och tillverkning (i förekommande fall) :** DNV GL SE

**Adress:** Brooktorkai 18

**Stad:** Hamburg **Postnummer:** 20416 **Land:** Germany **Identifikationsnr:** 0098

**Det anmälda organets intyg/rapport<sup>1</sup>:** RCDB00000A6 **Datum:** 1/2020

**Kontrollförfarande för buller (i förekommande fall):**  A  A1  G  H

**Anmält organ vid kontroll av buller (i förekommande fall):** \_\_\_\_\_

**Adress:** \_\_\_\_\_

**Stad:** \_\_\_\_\_ **Postnummer:** \_\_\_\_\_ **Land:** \_\_\_\_\_ **Identifikationsnr:** \_\_\_\_\_

**Det anmälda organets intyg/rapport<sup>1</sup>:** \_\_\_\_\_ **Datum:** \_\_\_\_\_

**Andra EU-direktiv som tillämpats:** \_\_\_\_\_

### BESKRIVNING AV FRITIDSBÅTEN:

**Båtens identifikationsnummer:** FI-YAM

**Båtmärke:** Yamarin **Modell, typ eller nummer:** 60 Day Cruiser

**Konstruktionstyp**  
:  Hård  Uppblåsbar  Uppblåsbart skrov med fast botten (RIB)  Segel med area,  $A_s$  : \_\_\_\_\_ m<sup>2</sup>

**Skrovkonfiguration:**  
 Enkelskrov  Flerskrov  Motordrift  Annat, specificera: \_\_\_\_\_

**Skrovmaterial**  
:  Aluminium, -legeringar  Fiberarmerad hårdplast  Dieselmotor  Bensinmotor  Gasdriven förbränningsmotor  Elektrisk  Annat, specificera: \_\_\_\_\_

**Fritidsbåtar**  
**Konstruktionskategorier när de beror av max personantal**

Kategori	Personantal	Max last (kg)
A		
B		
C	6	870
D		

**Kraftöverföringsprincip :**  
 Utombordsmotor  Inombordsmotor med stel axel  INU  Pod-drev  Segelbåtsdrev  Annat, specificera: \_\_\_\_\_

**Längd  $L_{II}$**  6,06 m  
**Bredd  $B_{II}$**  2,22 m  
**Djupgående T:** 0,39 m

**Däck:**  
 Heldäckad  Delvis däckad  Öppen

**Framdrivningssystem med integrerat avgassystem :**  Ja  Nej  
**Maximal rekommenderad motoreffekt:** 86 kW  
**Installerad motoreffekt:** \_\_\_\_\_ kW  
**Antal framdrivningsmotorer:** 1 #  
**Maximal rekommenderad motorvikt<sup>2</sup>:** 235 kg

Denna försäkrans om överensstämmelse är utfärdad på tillverkarens eget ansvar. Jag försäkras på uppdrag av tillverkaren att nämnda fritidsbåt uppfyller kraven i Artikel 4 (1) och Bilaga I i direktiv 2013/53/EU.

**Namn och befattning:** Juha Lehtola, CEO **Signatur och titel :** \_\_\_\_\_  
(identifiering av den person som är bemyndigad att skriva på för tillverkaren eller hans representant) (or an equivalent marking)

**Ort och datum (dag-mån-år) för utfärdandet:** 20.12.2019

<sup>1</sup> Dokumentet kan ha olika namn beroende på vilket kontrollförfarande som använts

<sup>2</sup> Endast för båtar för utombordsmotor

Väsentliga Krav (hänvisning till relevanta artiklar i bilaga IA & IC i Direktivet)	Harmonised standards Full Application	Harmonised standards Partial application, see tech. file	Other reference documents <sup>3</sup> Full Application	Other reference documents Partial Application, see tech. file	Other proof of conformity See technical file	Ange harmoniserad standard eller referens till annat regelverk (inklusive utgivningsår ex "EN ISO 8666:2002")
	<b>Endast en ifylld ruta per rad</b>					<b>Alla rader med ifylld ruta måste fyllas i</b>
<b>Allmänna krav (2)</b>						
Huvuddata	<input checked="" type="checkbox"/>					ISO 8666:2002
Identifiering av vattenfarkoster (2.1)	<input checked="" type="checkbox"/>					EN ISO 10087:2006
Vattenfarkostens tillverkarskylt (2.2)	<input checked="" type="checkbox"/>	<input type="checkbox"/>	<input type="checkbox"/>	<input type="checkbox"/>	<input type="checkbox"/>	2013/53/EU1A-2.2
Skydd mot fall överbord och hjälpmedel för att åter ta sig ombord (2.3)	<input checked="" type="checkbox"/>	<input type="checkbox"/>	<input type="checkbox"/>	<input type="checkbox"/>	<input type="checkbox"/>	EN ISO 15085:2003+A2:2018
Synfält från huvudsaklig styrplats (2.4)	<input checked="" type="checkbox"/>	<input type="checkbox"/>	<input type="checkbox"/>	<input type="checkbox"/>	<input type="checkbox"/>	EN ISO 11591: 2016
Instruktionsbok (2.5)	<input checked="" type="checkbox"/>	<input type="checkbox"/>	<input type="checkbox"/>	<input type="checkbox"/>	<input type="checkbox"/>	EN ISO 10240:2004 + A1 2015
<b>Krav på integritet och skrovstyrka (3)</b>						
Skrovstyrka (3.1)	<input checked="" type="checkbox"/>	<input type="checkbox"/>	<input type="checkbox"/>	<input type="checkbox"/>	<input type="checkbox"/>	EN ISO 12215-1:2018, EN ISO 12215-2:2018, EN ISO 12215-3:2018, EN
Stabilitet och fribord (3.2)	<input checked="" type="checkbox"/>	<input type="checkbox"/>	<input type="checkbox"/>	<input type="checkbox"/>	<input type="checkbox"/>	EN ISO 12217-1:2017, EN ISO 12217-3:2017
Flytkraft och flytmedel (3.3)	<input checked="" type="checkbox"/>	<input type="checkbox"/>	<input type="checkbox"/>	<input type="checkbox"/>	<input type="checkbox"/>	EN ISO 12217-1:2017, EN ISO 12217-3:2017
Öppningar i skrov, däck och överbyggnad (3.4)	<input checked="" type="checkbox"/>	<input type="checkbox"/>	<input type="checkbox"/>	<input type="checkbox"/>	<input type="checkbox"/>	EN ISO 9093-1:2018, EN ISO 12216:2018
Inträngande vatten (3.5)	<input checked="" type="checkbox"/>	<input type="checkbox"/>	<input type="checkbox"/>	<input type="checkbox"/>	<input type="checkbox"/>	EN ISO 11812:2018, EN ISO 15083:2018
Tillverkarens rekommenderade maximala last (3.6)	<input checked="" type="checkbox"/>	<input type="checkbox"/>	<input type="checkbox"/>	<input type="checkbox"/>	<input type="checkbox"/>	EN ISO 14946:2001 / AC:2005
Förvaring av lifflottar (3.7)	<input checked="" type="checkbox"/>	<input type="checkbox"/>	<input type="checkbox"/>	<input type="checkbox"/>	<input type="checkbox"/>	RCD Annex I 3.7
Utrymning (3.8)	<input type="checkbox"/>	<input type="checkbox"/>	<input type="checkbox"/>	<input type="checkbox"/>	<input type="checkbox"/>	EN ISO 9094:2017
Ankring, förtöjning och bogsering (3.9)	<input checked="" type="checkbox"/>	<input type="checkbox"/>	<input type="checkbox"/>	<input type="checkbox"/>	<input type="checkbox"/>	EN ISO 15084:2018
<b>Manöveregenskaper (4)</b>	<input checked="" type="checkbox"/>	<input type="checkbox"/>	<input type="checkbox"/>	<input type="checkbox"/>	<input type="checkbox"/>	EN ISO 11592-1:2016, RCD Annex I 4
<b>Motorer och motorrum (5.1)</b>						
Inombordsmotor (5.1.1)	<input type="checkbox"/>	<input type="checkbox"/>	<input type="checkbox"/>	<input type="checkbox"/>	<input type="checkbox"/>	
Ventilation (5.1.2)	<input type="checkbox"/>	<input type="checkbox"/>	<input type="checkbox"/>	<input type="checkbox"/>	<input type="checkbox"/>	
Friliggande delar (5.1.3)	<input type="checkbox"/>	<input type="checkbox"/>	<input type="checkbox"/>	<input type="checkbox"/>	<input type="checkbox"/>	
Utombordsmotor (5.1.4)	<input type="checkbox"/>	<input type="checkbox"/>	<input type="checkbox"/>	<input type="checkbox"/>	<input type="checkbox"/>	
<b>Bränslesystem (5.2)</b>						
Allmänt - bränslesystem (5.2.1)	<input checked="" type="checkbox"/>	<input type="checkbox"/>	<input type="checkbox"/>	<input type="checkbox"/>	<input type="checkbox"/>	EN ISO 8469: 2018, EN ISO 10088:2017
Bränsletankar (5.2.2)	<input checked="" type="checkbox"/>	<input type="checkbox"/>	<input type="checkbox"/>	<input type="checkbox"/>	<input type="checkbox"/>	EN ISO 21487:2018
<b>Elektriska system (5.3)</b>	<input checked="" type="checkbox"/>	<input type="checkbox"/>	<input type="checkbox"/>	<input type="checkbox"/>	<input type="checkbox"/>	EN ISO 8849:2018, EN ISO 10133:2017, EN ISO 13297:2018
<b>Styrssystem (5.4)</b>						
Allmänt - styrssystem (5.4.1)	<input checked="" type="checkbox"/>	<input type="checkbox"/>	<input type="checkbox"/>	<input type="checkbox"/>	<input type="checkbox"/>	EN ISO 8847:2017, EN ISO 10592:2017, EN ISO 25197:2018, EN ISO 884
Nödutrustning (5.4.2)	<input type="checkbox"/>	<input type="checkbox"/>	<input type="checkbox"/>	<input type="checkbox"/>	<input type="checkbox"/>	
<b>Gassystem (5.5)</b>	<input checked="" type="checkbox"/>	<input type="checkbox"/>	<input type="checkbox"/>	<input type="checkbox"/>	<input type="checkbox"/>	EN IEN ISO 10239:2017
<b>Brandskydd (5.6)</b>						
Allmänt - brandskydd (5.6.1)	<input checked="" type="checkbox"/>	<input type="checkbox"/>	<input type="checkbox"/>	<input type="checkbox"/>	<input type="checkbox"/>	EN ISO 9094:2017
Brandskyddsutrustning (5.6.2)	<input checked="" type="checkbox"/>	<input type="checkbox"/>	<input type="checkbox"/>	<input type="checkbox"/>	<input type="checkbox"/>	EN ISO 9094:2017
<b>Navigationsljus, signalfigurer och ljudsignaler (5.7)</b>	<input checked="" type="checkbox"/>	<input type="checkbox"/>	<input type="checkbox"/>	<input type="checkbox"/>	<input type="checkbox"/>	EN ISO 16EN ISO 16180:2018, 1972 COLREG
<b>Avfallshantering (5.8)</b>	<input type="checkbox"/>	<input type="checkbox"/>	<input type="checkbox"/>	<input type="checkbox"/>	<input type="checkbox"/>	
<b>Annex I.B - Avgasutsläpp<sup>5</sup></b>						
<b>Annex I.C - Bullerkrav<sup>6</sup></b>						
Bullernivåer (I.C.1)	<input type="checkbox"/>	<input type="checkbox"/>	<input type="checkbox"/>	<input type="checkbox"/>	<input type="checkbox"/>	
Ägarens instruktionsbok (I.C.2)	<input type="checkbox"/>	<input type="checkbox"/>	<input type="checkbox"/>	<input type="checkbox"/>	<input type="checkbox"/>	

<sup>3</sup> Såsom ej harmoniserade standarder, regler, anvisningar etc

<sup>4</sup> Standarder publicerade

<sup>5</sup> Se motortillverkarens försäkran om överensstämmelse

<sup>6</sup> Bara för att slutföras för båtar med inombordsmotorer eller Aquamatic motorer utan inbyggt avgassystem

## **INNAN DU KASTAR LOSS**

Kontrollera alltid följande saker innan beger dig ut på sjön:

### **Väderlek och väderleksprognos**

Tag alltid i beaktande vinden, vågorna och sikten. Är båtens båtkategori, storlek och utrustning samt befälhavarens och besättningens färdigheter tillräckliga för det vattenområde dit är på väg? I hård vind och i stora vågor skall luckor och dörrar vara stängda för att förhindra vatten att komma in i båten.

### **Belastning och stabilitet**

Överbelasta inte båten och fördela lasten rätt. Placera inte tunga föremål för högt uppe, så att båtens stabilitet försämras. Tänk även på att stabiliteten försämras om personerna står i båten under körning.

### **Passagerare**

Försäkra om att det finns flytplagg eller räddningsväst åt alla ombordvarande. Kom överens om uppgiftsfördelningen före avfärd.

### **Bränsle och bränslesystem**

Kontrollera att det finns tillräckligt med bränsle. Tänk på att grov sjö inverkar på bränsleförbrukningen och att den kan öka med över 30 % i jämförelse till lugnt väder. Som tumregel gäller att det bör finnas minst 20 % kvar av tankinnehållet då du kommer fram till dit mål. Kom även ihåg att kontrollera bränslefiltret att det inte finns vatten i den genomskinliga vattenskiljaren under själva filtret. Filtret skall bytas ut 1-2 gånger per år beroende på körtimmar och bensinkvalitet.

### **Motorn och manövreringutrustningen**

Kontrollera funktionen och skicket på styrningenfjärreglagetbatteriet och utför kontrollåtgärderna enligt motorns instruktionsbok.

### **Båtens sjöduglighet**

Kontrollera båtens sjöduglighet; inga bränsle- eller vattenläckage får finnas, säkerhetsutrustningen skall vara med osv. Kontrollera att Fästandet av föremål

Kontrollera att alla föremål är placerade så, att de hålls på sin plats även i sjögång. Notera att sittdynorna lätt kan flyga iväg ifall knäppena inte är fastsatta.

### **Sjökort**

Ifall inte färdas längs en rutt som du känner till, se till att det finns sjökort på ett tillräckligt stort område ombord. Om din båt är utrustad med kartplotter, lär dig använda den innan du åker ut på sjön. Sjökorten bör vara av senaste upplaga.

### **Startmanövrerna**

Kom överens med besättningen om vem som tar loss vilket rep osv. Kontrollera att förtöjnings eller ankarlina inte hamnar i propellern under avgång eller förtöjning.

### **Obligatorisk utrustning**

Kraven på obligatorisk utrustning variera från land till land. Ta reda på vad som gäller för båt.

Tilläggsinstruktioner gällande utombordsmotorn hittar du i motorns egen instruktionsbok.

## 1. Allmänt

Ägarens handbok hjälper dig att lära känna din båts egenskaper, skötsel och service. Skilda manualer för installerade apparater finns bifogade och på flera ställen i handboken hänvisas till dem. Du kan naturligtvis komplettera handboken med manualer för senare anskaffade apparater. Egna anteckningar kan göras i slutet av handboken.

Båten har en löpande serienummer, CIN-kod (Craft Identification Number). CIN-koden finns på n av akterspegeln strax under gummilisten. Vi rekommenderar att du antecknar CIN-koden i försäkran om överensstämmelse i denna bok. Nämn CIN-koden samt båttypen då du har ärende till återförsäljaren för att underlätta erhållandet av rätta reservdelar.

## 2. Definitioner

Varningar och anmärkningar i denna handbok är definierade på följande sätt:

- FARA!** Betyder att det finns ett allvarligt faromoment, som med stor sannolikhet leder till död eller permanent handikapp, ifall vederbörliga säkerhetsåtgärder inte vidtas.
- VARNING!** Betyder att det finns ett faromoment, som kan leda till personskada eller död ifall inte vederbörliga säkerhetsåtgärder vidtas.
- OBS!** Betyder påminnelse om ett säkert tillvägagångssätt eller fäster uppmärksamhet vid ett farligt tillvägagångssätt, som kan leda till personskada eller som kan skada båten eller dess delar.

I handboken har använts enheter enligt SI-systemet. I vissa fall har andra enheter tillsatts inom parentes. Ett undantag till detta är vindhastigheten, som i fritidsbåtsdirektivet är givet i beaufort.

## 3. Garanti

Båten och dess utrustning har 2 års garanti från båtens ibruktagning. Ta kontakt med din återförsäljare i eventuella garantifall. Kom ihåg att meddela CIN-koden! Ifall det är möjligt, ta gärna en digitalbild av det du vill reklamera. En eller flera tydliga digitalbilder påskyndar vanligtvis behandlandet av reklamationen.

## 4. Före ibruktagande

### 4.1. Registrering

Registreringsförfarandet varierar från land till land. Ta reda på vad som gäller för båt.

### 4.2. Försäkringarna

Båtförsäkringen kan täcka olyckor som sker på sjön eller vid transport och båtens upptagning. Försäkringen har också en indirekt inverkan på säkerheten på sjön; då det sker ett allvarligt haveri kan du koncentrera dig framför allt på att rädda människor. Försäkringsbolagen ger noggrannare information om olika försäkringsalternativ. Kontrollera speciellt om försäkringsansvaret gäller när du tar upp och transporterar båten!

### 4.3. Utbildning

Ingen är född till båtförare. Det finns gott om litteratur om båtsport. Ta reda på vad det finns för båtskolor och lokala båtklubbar där du kan få grundläggande färdigheter. Kom dock ihåg att först efter långvarig övning blir man säker i att hantera, navigera, förtöja och ankra båten.

## 5. Båtens egenskaper och användning

### 5.1. Allmänt

Ägarens handbok är inte avsedd att vara en fullständig service- eller reparationshandbok, utan skall råda användaren att använda båten på ett vederbörligt sätt.

### 5.2. Grundläggande information om båten

Fritidsbåtar kan konstrueras enligt fyra kategorier (A, B, C och D) i fritidsbåtordningen 2013/53/EU. Yamarin 60 DC är konstruerad enligt kategori C. Här undertill framgår vad som menas med de olika kategorierna.

**Kategori A:** Båten är konstruerad att användas i förhållanden, där vindens styrka kan överstiga 8 beaufort (ca. 21 m/s) och där den signifikanta våghöjden (se anmärkning nedan) kan överstiga 4 m. Båtarna är i dessa fall till stor del försörjande. Kategori A omfattar inte onormala förhållanden så som hurkaner. De ovan beskrivna förhållandena kan man råka ut för under långa resor, t.ex. då man åker över oceaner, eller vid kusten, då vinden och vågorna har ett öppet avstånd på flera hundra sjömil utanför kusten.

**Kategori B:** Båten är konstruerad att användas i förhållanden, där vindens styrka är högst 8 beaufort (ca. 21 m/s) och aen (se anmärkning nedan) är högst 4 m. Sådana här förhållanden kan man råka ut för under tillräckligt långa havsfärder, eller i kustvatten, då vinden och vågorna har ett öppet avstånd på flera tiotals sjömil. De ovan beskrivna förhållandena kan man också råka ut för på insjöar som är tillräckligt stora för att utveckla i frågavarande våghöjd.

**Kategori C:** Båten är konstruerad att användas i förhållanden, där vindens styrka är högst 6 beaufort (ca 14 m/s) och (se anmärkning nedan) högst 2 m. Sådana här förhållanden kan man råka ut för på öppna insjöar, flodmynningar och på kustvatten i måttliga väderleksförhållanden.

**Kategori D:** Båten är konstruerad att användas i förhållanden, där vindens styrka är högst 4 beaufort (ca. 8 m/s) och signifikanta våghöjden högst 0,3 m. Sådana här förhållanden kan man råka ut för på skyddade insjövattnen, och på kustvattnen då det är fint väder.

**Anmärkning:**

Signifikant våghöjd är en term som används då en båts sjöegenskaper skall uppskattas. I praktiken fås den signifikanta våghöjden genom att man beaktar den högsta tredjedelen av alla våghöjder som uppmäts på området och räknar ut medelvärdet på dessa. Om den signifikanta våghöjden är 2,0 meter är medelvärdet på alla våghöjder ungefär 1,2 meter.

**Största rekommenderade belastning: Se teknisk specifikation**

Se även punkt 5.4 "Belastning".

**Huvudmått och kapaciteter:**

Se teknisk specifikation

Båtens längd, bredd, djup, totalvikt osv. samt de olika tankarnas kapacitet är presenterade i den tekniska specifikationen.

**Tillverkarens skylt:**

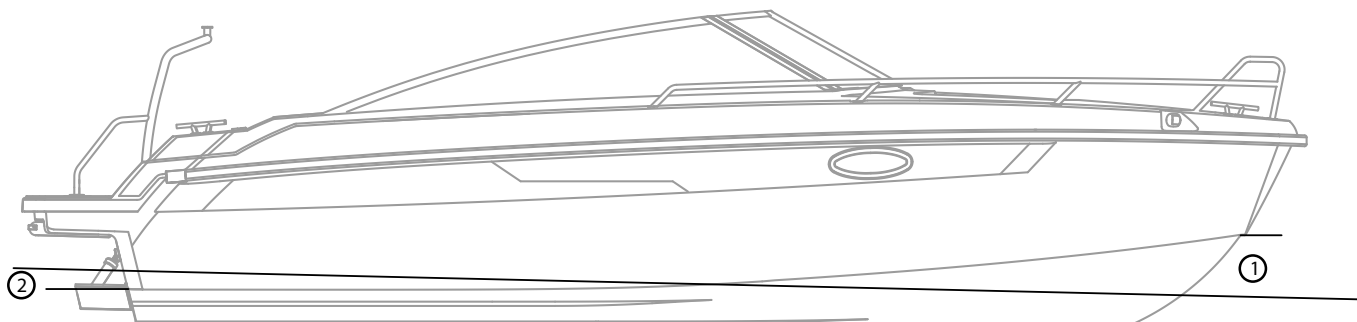
En del av den tidigare nämnda informationen är given på tillverkarens skylt som är fäst bredvid förarplatsen. Kompletterande uppgifter är givna på vederbörliga punkter i denna handbok.

### 5.3. Teknisk specifikation

Modell	YAMARIN 60 DC
Design kategori	C
Total längd	6.06 m
bredd	2.22 m
Vikt utan motor, vätskor och utrustning	approx. 890kg
Maximal belastning på byggarens skylt (CE-tecken)	870 kg (6 Persons 450kg, grundutrustning 15 kg, livflotte 40 kg, frakt: 108 kg + motor 259kg)
Vikt vid full belastning	approx. 870 kg passagerare 450 kg grundläggande utrustning 15 kg livflotte 40 kg, last 108kg motor 259 kg
Maximal motoreffekt	112 kW / 150 hp
Vikt av största rekommenderade motorn	261 kg
Bränsletankens kapacitet	165 litres
Maximal utkast vid full belastning, motor upp	approx. 0.4 m
Maximal höjd från vattenlinjen vid lättbelastning	approx. 1.5 m
Byggmaterial	Förstärkt plast
Färgkoder: - Hull: - Deck	
Hydrauliska slangar Fjärrkontrollkablar	
Nått fart vid båttest	approx. 44 knots

Vattenlinjen på Yamarin 60 DC:





Vattenlinjen:	
- akterhörnet	130 mm från slagets hörn rakt uppåt (2)
- fören	430 mm från slaget nedåt längs fören (1)

**OBS!**

De givna matten representerar antifouling-färgens övre gräns, inte den aktuella vattenlinjen.

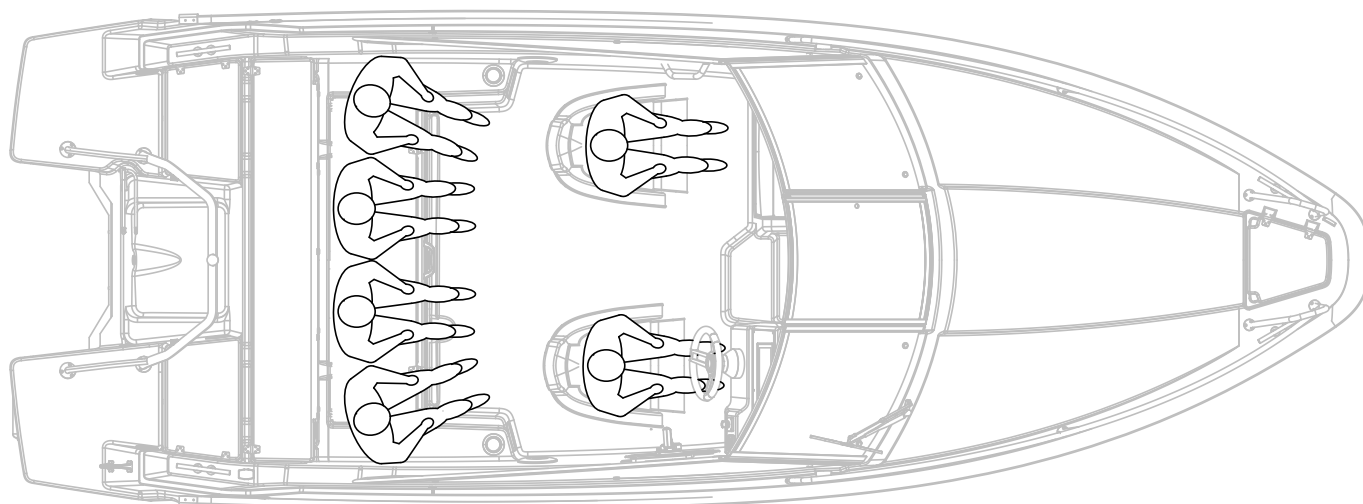
## 5.4. Högsta rekommenderade antalet personer ombord

Högsta rekommenderade antal personer ombord på Yamarin 60 DC är 6 personer.

**VARNING!**

Överskrid inte det högsta rekommenderade antalet personer ombord. Oberoende av antalet personer ombord, får personernas och utrustningens totala vikt aldrig överstiga den största rekommenderade belastningen (se punkt 5.4 "Belastning"). Under körning skall alla ombordvarande sitta på sittplatserna.

Sittplatserna i Yamarin 60 BR:



**OBS!**

Om du lastar båten akterifrån, får du bättre bränsleekonomi.

## 5.5. Belastning

Största tillåtna belastning i Yamarin 60 BR är 690 kg. I denna belastning medräknas följande vikter: den totala vikten 450 kg av personerna i båten (en vuxen persons vikt antas vara 75 kg och ett barns 37,5 kg)  
vikten på vätskor (bränsle) i fasta tankar 79 kg,  
grundläggande utrustning 13 kg  
livlofte 40kg  
last 108kg

### **OBS!**

Största tillåtna belastning enbart med de nämnda viktkomponenterna

### **WARNING!**

Överskrid aldrig den största tillåtna belastningen då ni lastar båten. Lasta alltid båten omsorgsfullt och tänk på att fördela lasten ändamålsenligt så att varken fören eller aktern sjunker speciellt mycket. Normalt skall tunga saker placeras i stuvutrymmet under akterbåken. Undvik i vilket fall som helst att placera tunga saker högt uppe.

## 5.6. Motorn och propellern

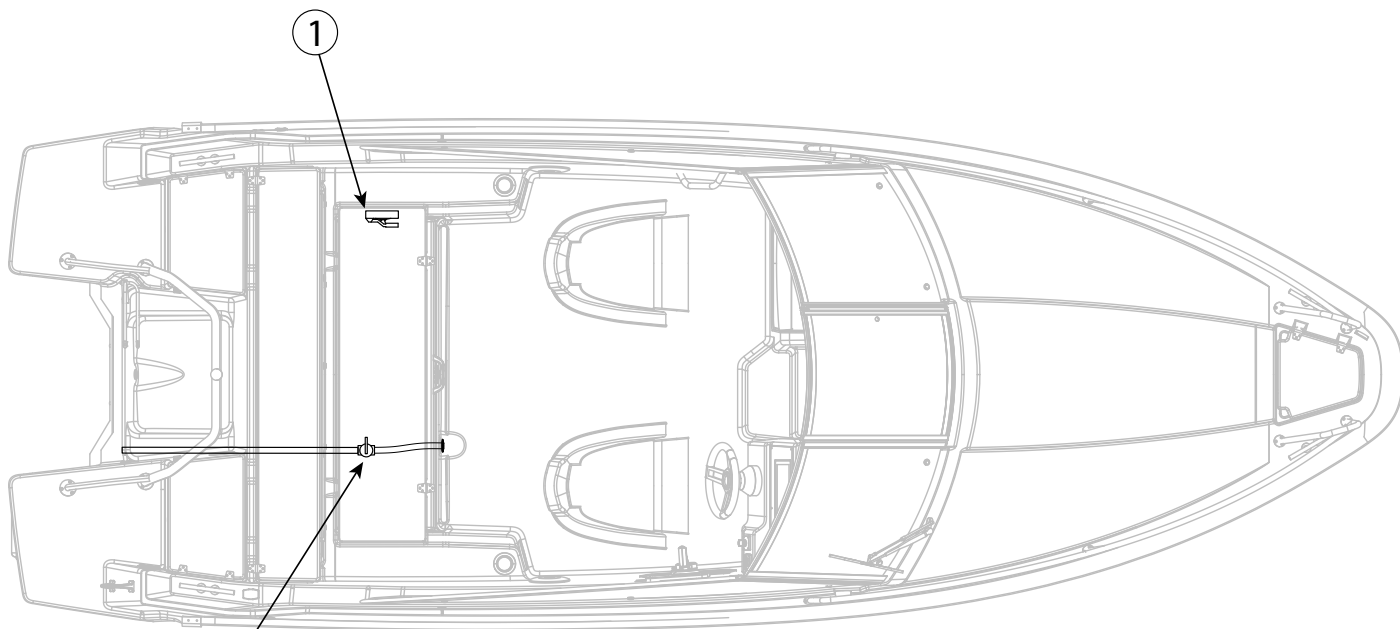
På Yamarin 60 BR är högsta tillåtna motoreffekt 115 hk (85 kW). Båtens strukturer är inte dimensionerade för större effekt än 115 hk. Båtens köregenskaper kan vara livsfarliga om båten har större motorn än 115 hk. Garantin gäller inte för båtar som har större motor än 115 hk. Vid val av propeller ber vi dig följa återförsäljarens råd.

## 5.7. Förhindrande av vatteninträngning och stabilitet

### 5.7.1 Skrov- och däcksgenomföringar samt avstängningsventiler

Yamarin 60 BR har ett självlänssystem som innebär att sittbrunnen töms på regnvatten när båten ligger i sjön. Länssystemet fungerar också på land om fören är högre upp än aktern och avstängningsventilen är öppen. Regnvattnets tömningsventil är belägen under akterbänkens lucka i mitten. Ventilen skall vid behov vara stängd då båten är fullastad för att förhindra eventuellt vattenintrång. I andra fall skall den ALLTID vara öppen, så att regnvattnet fritt kan rinna ur båten.

En manuell länspump är installerad enligt följande bild. Denna handpump har en kapacitet på ca 0,5 l/drag.



1. Handläns pump
2. Avstängningsventilen

Det är på ägarens ansvar att en öskare eller ämbare finns i båten.

#### **VARNING!**

Läns pumpssystemet är inte dimensionerat för att kunna klara av läckage orsakade av grundstötning eller annan motsvarande skada.

#### **SÄKERHETSÅTGÄRD!**

Kontrollera med jämna mellanrum att läns pumpen fungerar. Ta bort skräp från sugöppningen. Ändan av läns pumpens slang befinner sig i kölens akter ända så du kan kolla den via akterbänkens lucka.

#### **VARNING!**

Stäng alltid dräneringsrörets ventil då dess inre ända på grund av belastningen ständigt befinner sig under vattenlinjen. Avspärrningsklaffen till utloppet som finns i akterspegeln hindrar endast vid backning vattnet från att komma in!

#### **OBS!**

Se till att vattnet obehindrat kan rinna ut genom dräneringsröret. Eventuellt skräp, t.ex. löv om hösten kan hindra vattnet att rinna ut, vilket kan leda till att båten vattenfylls och sjunker. Läns systemet fungerar inte i köldgrader.

#### **OBS!**

Det samlas alltid lite kondensvatten i n Särskilt när båten blir äldre finns det risk att genomföringarna i skrovet och durken kan släppa igenom lite vatten. Kom ihåg att alltid kontrollera mellanbotten via inspektionssluckan under akterbänken innan du lämnar båten vid bryggan eller bojen och alltid innan du ger dig ut på sjön. Låt alltid en befullmäktigad reparatör reparera eventuella läckage.

#### **VARNING!**

Båtens köregenskaper kan bli livsfarliga om det finns vatten i botten.

#### **VARNING!**

I rufft före bör luckor och fack vara stängda för att minimera risken av ifyllnad av vatten.

## 5.7.2 Stabilitet och flytbarhet

Ta i beaktande att båtens stabilitet försämras av vilken som helst tyngd som är högt placerad. Alla förändringar i placeringen av vikterna kan inverka betydligt på båtens stabilitet, trim och prestanda. Kom också ihåg, att stora brytande vågor alltid är en fara för stabiliteten.

Båten är inte utrumedel och flyter alltså inte vattenfylld. Detta är helt i enlighet med fritidsbåtsdirektivet som kräver att endast öppna båtar under 6 meter skall flyta vattenfyllda.

## 5.8. Undvikande av eldsvåda eller fara för explosion

### 5.8.1 Tankning

Stäng av motorn och släck innan du tankar. Under tankning bör man inte använda elektriska apparater eller utrustning som kan förorsaka gnistor.

Ifall påfyllningspistolen slår av hela tiden då du tankar båten bör du svänga på pistolen (t.ex. 90 grader) så att inte strålen går rakt emot tanklockskedjans fastsättning.

Ha alltid en kanister med reservbensin i båten. Lämpligt utrymme, särskilt med tanke på brandsäkerheten, är endera ankarboxen i aktern. Där finns det ingen risk för att förgasad bensin kommer i kontakt med batteriutrymmet eller elsystemet.

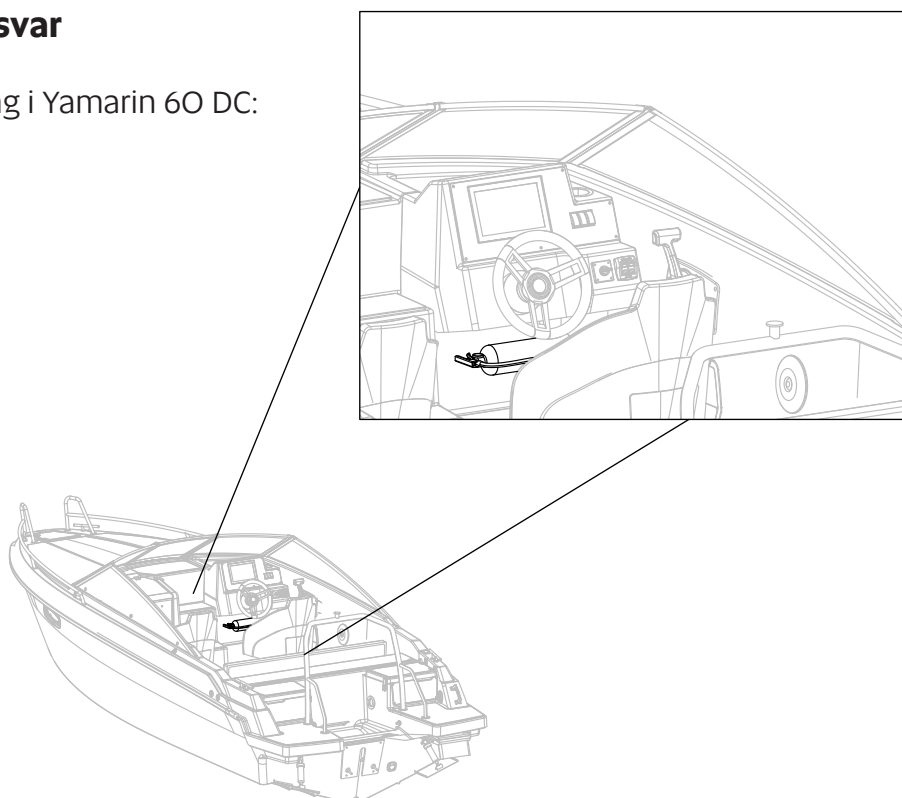
Förvara inga lösa föremål, som då de rör på sig an strypa bränsletillförseln till motorn. Detta gäller speciellt föremål som kan förskjutas mot slangarna till eller från bränslefiltret. Kontrollera årligen att bränsleslangarna inte är slitna vid genomföringarna.

Märk, att tankarnas fulla kapacitet inte alltid kan användas beroende på båtens trim- eller krängningsvinkel.

**WARNING!** Förgasad bensin är explosivt. Iaktta stor försiktighet och följ dessa anvisningar vid tankningen. Bensinlukt innebär alltid att det finns förgasad bensin i båten.

### 5.8.2 Brandförsvar

Handsläckarens placering i Yamarin 60 DC:



Båten är utrustad med en 2 kilogramms handsläckare av klass 8A 68 B. För att handsläckarens funktion skall vara säkrad bör den varje år granskas av en auktoriserad granskare. Ifall handsläckaren byts ut, bör den nya släckarens släcknings kapacitetet släckarens kapacitet.

Försäkra dig om att brandsläckningsutrustningen är lätt att komma åt även då båten är lastad. Informera alla i besättningen om var brandsläckningsutrustningen finns och om dess funktion.

Kom ihåg att aldrig:

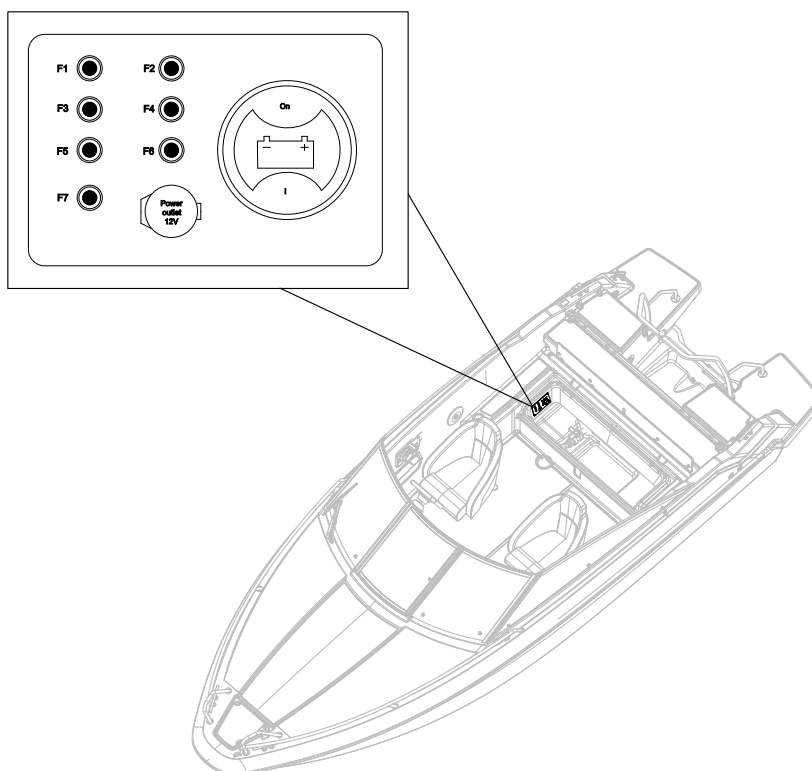
- blockera gången till luckor och utrymningsöppningar
- blockera tillträde till säkerhetsanordningarna, t.ex. elsystemets brytare
- blockera tillträde till brandsläckaren
- göra ändringar i något av båtens system (speciellt el- eller bränslesystem) eller låta en obehörig person göra ändringar i något av båtens system
- röka då någon handskas med bränsle i båten.

#### Huvudbrytare och säkringar

Strömkretsarnas säkringar är placerade under huvudströmbrytarna och i avbrytarpanelen under ratten. Ändra inte på säkringarnas ampertal och montera inga komponenter som leder till att strömkretsens nominella strömstyrka överskrids.

## 5.9. Huvudbrytare

Säkringar är automatsäkringar. Vid felström slår automatsäkringen ut. Vidställ säkringen genom att trycka den tillbaks in. Ifall säkringen slår ut igen, är elsystemet eller någon komponent i kortslutning. Kontakta en elektriker i detta fall



### **OBS!**

Koppla aldrig av strömmen med huvudbrytaren medan motorn är i gång! kan leda till att motorns elsystem förstörs.

## 5.10. Användning

Om det här är din första båt eller båttypen är ny för dig rekommenderar vi att du tar med dig en person som har erfarenhet av motsvarande båtar under de första färderna.

### **OBS!**

Båtens största propulsioneffekt är 85 kW (115 hk). Använd inte båten med större motor än vad som står i tillverkarskylten.

### 5.10.1 Manöverutrustning

Det är lätt att lära sig manövrera en Yamarin 60 DC, men omväxlande förhållanden såsom vind och sjögång ställer båtföraren ständigt inför nya situationer. Fjärreglaget omfattar gasen, växel framåt och bakåt samt reglering av Båten har hydraulisk styrning.

### 5.10.2 Nödbrytare

Nödbrytaren är en anordning vars ena ände skall fästas i avbrytaren som finns i undre kanten av fjärreglaget och den andra till exempel i flytvästen. Nödbrytaren stänger av motorn automatiskt om den ossnar från avbrytaren i fjärreglaget. Det är mycket viktigt att båten stannar om föraren av någon anledning mister balansen och slungas bort från förarplatsen.

### **OBS!**

Kör aldrig båten utan att nödbrytaren är fäst vid dig själv. Om du fäster nödbrytaren vid handleden skall du inte styra båten med samma hand, eftersom kedjan då kan fastna i ratten vid branta svängar.

### **OBS!**

Motorn startar inte om inte nödbrytaren är fäst vid avbrytaren på fjärreglaget.

### **FARA!**

En roterande propeller är livsfarlig för en person som fallit i vattnet eller en simmare. Stäng alltid av motorn innan simmaren eller vattenskidåkaren stiger ombord.

### 5.10.3 Växlar och gas

Du lägger i växeln genom att du med fingrarna trycker in knappen som finns undertill på reglagehandtaget och samtidigt skjuter/drar i reglagespaken framåt eller bakåt beroende på i vilken riktning du vill köra båten. När växeln är påkopplad kan du reglera gasen/hastigheten med samma reglagespak.

När du kör sakta framåt kan du använda bakväxeln som broms till exempel när du lägger till vid en brygga. Förutom när du kör sakta framåt skall du inte lägga i bakväxeln, eftersom detta skadar motorn.

### 5.10.4 Justering av riggvinkel

Grundreglerna för justering av motorns riggvinkel (= trim) är: Då båten planar upp används "fören ned"- läget. Då båten kommit upp i plan, och ifall sjögången är liten lyftes fören tills man känner att propellern "biter" bra praktiken. Trimmarna man upp motorn för mycket sjunker hastigheten. Använder man för lite trim går båten trögt och motorn tungt. För att uppnå god bränsle-ekonomi

är det viktigt att köra med rätt trim (= rätt riggvinkel) på motorn. I hård motsjö trimmas fören ned, vilket gör att fören klyver vågorna bättre och båten går mjukare. I medsjö lyftes fören upp så att den inte "dyker"

### **VARNING!**

Kör ej båten i hög hastighet med högt upptrimmad motor (fören upp) eftersom det finns en risk att båten kränger våldsamt då propellern åter greppar efter en flygfärd i stora vågor. Likaså skall man inte heller köra i hög hastighet med motorns trimvinkel helt negativ (fören nere) eftersom detta kan leda till att båten kränger helt oväntat då båtens slag skär i vattnet.

### **VARNING!**

Vågor försämrar styrförmågan och kränger båten. Ta detta i beaktande genom att sänka hastigheten då vågorna blir större.

## **5.10.5 Start av motorn**

Koppla på strömmen med huvudströmbrytaren.

Fäll ner motorn i körläge genom att trycka ner Power Trim-knappen på växel-/gasreglaget.

Kontrollera att reglagespaken är i friläge och att nödbrytaren är kopplad till .

Koppla på strömmen med startnyckeln utan att starta motorn.

Starta motorn genom att vrida på strömnyckeln medsols till den startar. Om allt är i skick startar motorn på 1-2 sekunder. Ifall motorn inte vill starta skall man inte "såga" med startmotorn mera än 10 sekunder per gång.

När motorn har startat, låt den gå på tomgång några minuter innan du kör iväg.

Läs noggrannare anvisningar i motorns bruksanvisning.

## **5.10.6 Körning**

Det är lätt att köra i vackert och lugnt väder. Kom ändå ihåg att det är nödvändigt att hålla tillräckligt utkik. För att sikten från förarplatsen skall vara så god som möjlig bör du:

placera passagerarna så att synfältet inte blir begränsat

inte köra länge med planingshastighet, varvid fören stiger upp och försämrar sikten

hålla utkik över vindrutan vid dålig sikt

komma ihåg att också titta bakåt, speciellt i och livligt trafikerade leder.

### **OBS!**

Använd navigationsljus efter mörkrets inbrott.

Anpassa alltid din hastighet till förhållandena och miljön. Beakta följande:

- sjögången (fråga också medpassagerarna vilken hastighet som känns bra)
- ditt eget svall (störst vid planingströskeln, minst vid hastigheter under 5 knop)
- sikten (holmar, dimma, regn, motljus)
- kännedom om farleden (erforderlig tid för navigation)
- farledens bredd (övriga båtfarare och svall på stränderna)
- försäkra, att du har alltid ett tillräckligt avstånd för att undvika sammanstötning, avstånd som räcker att stanna båten eller väja.

När man kör sakta med en planande båt har den en sämre kursstabilitet än vid högre hastighet. Var därför noggrann i smala farleder och när du möter andra båtar. Följ de internationella reglerna för att undvika kollisioner på sjön = COLREG 1972. Navigera omsorgsfullt och använd nya eller



uppdaterade sjökort.

Båtens gångläge påverkar kraftigt både köregenskaperna och bränsleförbrukningen. Man kan inverka på gångläget genom:  
placering av lasten. Allmän regel är så lite tyngd i fören som möjligt.  
justering av motorns riggvinkel.

Rätt gångläge kombinerat med lämplig hastighet gör också körning i sjögång angenämare och säkrare.

#### **VARNING!**

Hög hastighet och snabba manövrer kan leda till stora krängningsvinklar och att man mister kontrollen över båten.

#### **OBS!**

Båten är INTE dimensionerad för att köras i sjögång så att den flyger i luften. Garantin ersätter inte skador som har uppkommit pga luftfärd. Eventuella luftfärder kan kollas från motorns historik med dator.

### **5.10.7 Körning till och från bryggan**

Öva på en rymlig plats hur man lägger till vid en brygga innan du för första gången kör in i en trång hamn.

Om du är alltför försiktig med gasen får båten inte tillräcklig styrkraft. Ge gas i korta perioder men målmedvetet så lyder båten effektivt.

Se till att alla personer ombord, som inte behöver stå, sitter när du lägger till vid bryggan. Plötsliga manövrer kan göra att båten börjar luta och därmed orsaka att någon skadar sig.

Innan du lägger till skall du ta fram förtöjningslinorna färdigt i fören och aktern. Närma dig bryggan i en liten vinkel med fören före. Strax innan båten får kontakt med bryggan vänder du styrningen mot bryggan och lägger i bakväxeln. Gasa kort och friskt. Båten stannar och lägger sig i bryggans riktning. Om det är möjligt skall du köra till bryggan i motvind eller motströms beroende på vilken som är kraftigare. Då är det lätt att fortsätta färden då vinden eller strömmen driver fören ut från bryggan. Om det varken blåser eller strömmar är det lättast att lossa om du först trycker aktern så långt bort från bryggan som möjligt och därefter backar sakta ut från bryggan till öppet vatten.

Propellern är designad att ge bästa fäste vid körning framåt. När man backar har propellern alltså en lägre effekt. Båten svarar inte heller så bra på manövreringen när man backar som när man kör framåt.

#### **VARNING!**

Yamarin 60 DC är en snabb båt. Den stannar inte från planläge på ett ögonblick. Sänk farten i tid innan du lägger till vid stranden eller bryggan. Lär dig beräkna hur lång sträcka som behövs innan båten stannar. Kom ihåg att båten styrs dåligt när motorn inte drar.

#### **VARNING!**

Försök inte stanna båten med handkraft och sätt inte handen eller foten mellan båten och bryggan, stranden eller en annan båt! Öva i goda förhållanden hur man lägger till! Använd motorns kraft måttligt men målmedvetet!



**OBS!**

När du förtöjer båten skall du beakta att vinden kan svänga, vattenytan stiga eller sjunka, svallvågor kan uppkomma m.m. Mer information får du bl.a. från försäkringsbolagen.

## 5.10.8 Kapellet

Kapellet är dimensionerat för att hålla vid en hastighet på högst 30 knop till sjöss respektive 50 km/h på landsväg. Alla knäppen skall vara ordentligt fastsatta när kapellet används. För att kapellet lättare skall in i kapellgaraget rekommenderar vi att du först r bort kapellets sidor och bakvägg och därefter rullar ihop takdelen innan du faller ner den i kapellgaraget. Det lyckas bra om du omsorgsfullt ser till att det inte finns tyg ytterom kapellbågarnas raka övre del.

## 5.10.9 Dörren till vindrutan

Vindrutans dörr måste alltid hållas stängd och låst under körning.

**VARNING!**

Om det är sjögång eller blåser frisk vind eller vindbyar bör dörren vara stängd eftersom det annars finns risk att den kan slå igen av sig själv. Eftersom dörren är relativt tung kan den skada personer då den slår fast.

**VARNING!**

Då båten ligger stilla kan stora vågor eller en vindby leda till att dörren helt oväntat slår igen. Av denna orsak är det att rekommendera att dörren alltid hålls stängd då man inte rör sig på fördäcket.

## 5.11. Rätt användning – andra rekommendationer och anvisningar

### 5.11.1 Man överbord

När någon faller överbord är det alltid en allvarlig situation. Det lönar sig att i förväg öva sig inför en eventuell situation där någon faller överbord, eftersom det inte finns någon möjlighet att öva det längre när en olycka inträffar.

Den som fallit i sjön skall hjälpas upp igen via aktern. En replänk som fästs i båten underlättar lyftningen. Båtens badstege sträcker sig ungefär 55 cm under vattenytan. Om ett barn har fallit i vattnet skall en vuxen hoppa efter och ta med sig t.ex. en extra flytväst eller en fender, men någon skall också bli kvar i båten.

Det är mycket viktigt att hålla ögon- och samtalskontakt med den som fallit i sjön.

**FARA!**

En roterande propeller är livsfarlig för en simmare eller en person som fallit överbord. Stäng av motorn då en simmare eller vattenskidare kommer upp från vattnet.

### 5.11.2 Fastsättning av lös utrustning

Fäst all utrustning innan du kastar loss.

### 5.11.3 Beaktande av miljön

Våra hav, insjöar och vår skärgård är unika och bevarandet av deras miljö är hederssak för varje sjöfarare. Undvik därför:

bränsle- och oljeläckage

tömning av skräp och avfall i vattendragen eller på stränderna.

utsläpp av tvättmedel eller lösningsmedel i vattnet.

störande buller både på sjön och i hamn.

onödigt högt svall speciellt i trånga passager och grunda vatten.

Underhåll motorn väl och kör med den mest ekonomiska hastigheten, vilket också minskar avgaserna.

Ta också i beaktande andra lokala miljölagar och reglementen. Bekanta dig med internationella regler om att förhindra förorenande av haven (MARPOL) och respektera dessa så mycket som möjligt.

### 5.11.4 Ankring och förtöjning

Förtöj alltid båten omsorgsfullt även på skyddade ställen, eftersom förhållandena kan ändra snabbt. Förtöjningsrepen skall helst vara utrustade med fjädrar för att dämpa ryckar. Kolla fästpunkterna i kapitel bogsering. Använd tillräckligt stora fendertar för att förhindra båten att skava.

Ögla i fören är avsedd för trailerbruk. Ögla på däck är avsedd för låsning.

#### **OBS!**

Fäst uppmärksamhet vid att varken lås eller kedja skavar mot båtens reling.

Hållfastheten framåt för pollarna i fören är minst 20,9 kN dvs. ca 2 000 kg. Motsvarighet för pollare i aktern bakåt är 14,6 kN dvs. ca 1 400 kg.

Ankare som används i båten bör väga minst 5 kg. Lägg ankaret tillräckligt långt från stranden. Lämpligt fäste uppnås då repet är 4 - 5 gånger längre än vattendjupet.

#### **VARNING!**

Försök inte stoppa upp båten för hand och sätt inte Er hand eller fot mellan båten och bryggan, stranden eller en annan båt. Öva att ta i land i bra förhållanden och använd motorkraft med måtta men målmedvetet.

#### **OBS!**

Ta i beaktande att vinden kan vända, vattenytan kan stiga eller sjunka, svallvågor osv. då du förtöjer båten. Tilläggsinstruktioner fås från bl.a. försäkringsbolag.

#### **OBS!**

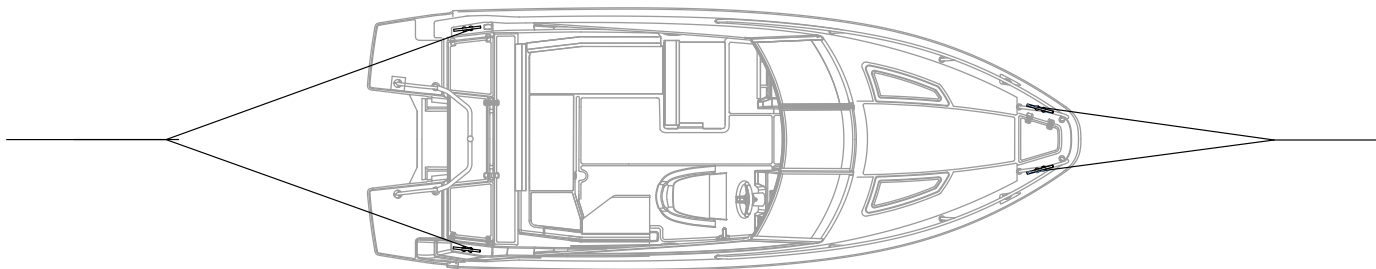
Det hör till båtägaren/användaren att se till att båten är utrustad med rätt förtöjnings/ankringsutrustning

### 5.11.5 Bogsering

Använd ett tillräckligt hållbart, flytande rep då du bogserar en annan båt. Påbörja bogserandet försiktigt, undvik knyckar, och överbelasta inte motorn.

Båtgäaren bör överväga vilka åtgärder är nödvändiga för bogserlinans fästande.

Då du bogserar eller din båt bogseras, fäst bogserlinan i akterpollarna enligt figuren.  
Fastsättning av bogserrep.



**VARNING!**

Spänningen i bogserrepet är stor under bogsering. Ifall det brister, kan den ända som gått av ha en hastighet som är livsfarlig. Använd alltid ett tillräckligt grovt rep och undvika att vistas i samma linje som repet.

**OBS!**

Då du bogserar eller din båt bogseras, kör sakta. Om det gäller en displacement båt överskrid aldrig displacementhastigheten vid bogseringen.

**OBS!**

Bogserlinan bör alltid fästas så att den går att lösgöras under belastning.

## 5.11.6 Trailertransport

Viktuppgifter om båten vid bruk av trailer finns i tekniska specifikationen. Kölrullarna bör bära den största vikten av båten. Ställ in sidostöden så att båten inte kommer åt att gunga i sidled. Vid behov be tilläggsinformation av återförsäljaren.

Putsa bort sand och smuts från kölrullar och stöd innan du tar båten på trailern så att inte botten skadas. Kontrollera en extra gång att trailern har låst sig på dragkroken.

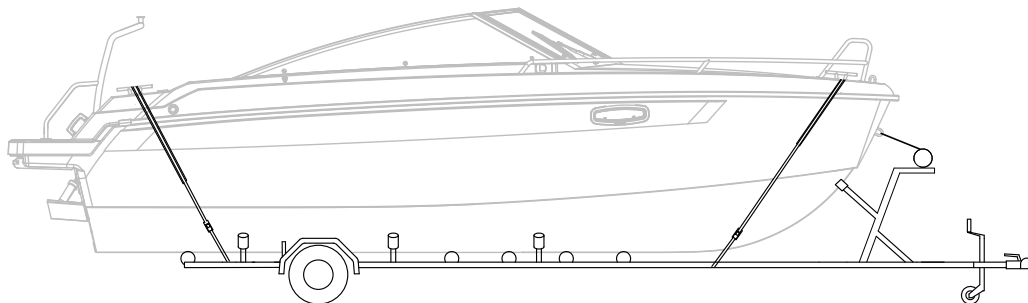
Stället där du tar upp båten bör vara skyddat från vågor och vind och rampen bör vara tillräckligt djup. Backa trailern så djupt att den bakersta kölrullen är lite under vattenytan. Kör båten försiktigt mot den bakersta kölrullen och fäst därefter vinschvajern i stävöglan. Dra upp båten så att den hela tiden hålls i linje med kölrullarna. Kom ihåg att trimma upp motorn innan du drar upp båten på trailern så att den inte tar fast i botten.

Fästande på trailer.

Spänn fast båten ordentligt på trailern innan du börjar transporten. Remmarna i fören skall vara riktade "ner-bakåt" och i aktern "ner-framåt". Lämna inte lösa föremål eller annan onödig vikt i båten under transporten. Ifall du har sittdynor på akterdäck bör de tas bort.

Motorn bör vara nerfälld i körställning under trailertransport. Kontrollera dock att markhöjden räcker till så att inte motorn tar fast i marken.

Om båten förvaras på trailer bör spännremmarna lösas på, och spännas på nytt innan nästa transport.



### **OBS!**

Trailern bör vara lite framtung. Försäkra dig om att båten är stadigt fastspänd på trailern och att båtens vikt är jämnt fördelad på sidostöden. Om en gungande båt kommer åt slå mot ett enskilt stöd kan skrovet skadas.

Då du sjösätter båten med trailer bör du komma ihåg att ha en förtöjningslina färdigt fastsatt i fören så att du kan dra båten mot dig själv för att kunna lösgöra vinschvajern från stävöglan. Akta dig för vinschveven!

## 5.11.7 Sliptagning

Det är skäl att placera en stadig plankan mellan v-bocken (t.ex. 2x4”) som stöder kölen och bär största delen av båten tyngd. Sidostöden alltså inte bära upp båten. Sidostöden bör ha urtag vid steglisterna för att undvika punktbelastning på steglisterna. Stödkonstruktionerna vid akterspegeln bör vara speciellt kraftiga för att tåla även motorns vikt. Måtten är presenterade i följande figur.

## 5.11.8 Förvaringsbockens mått.

Ge lyftuppdragen endast till ett pålitligt kranföretag eller ett båtvarv med tillräcklig lyftkapacitet. Beakta förutom båtens egenvikt (se teknisk specifikation) även utrustning och annan last i båten.

När båten lyfts med linor skall de vara placerade under båten och båten skulle vara horisontell.

### **OBS!**

Båten får inte lyftas i pollarna.

### **WARNING!**

Gå aldrig under en båt som hänger i en kran.

## 6. Service och underhåll

Behåll din båt samt båtens utrustning ren och snygg. Du njuter mer av den och återförsäljningsvärdet är bättre.

Bekanta dig serviceåtgärderna som presenteras i motorhandboken. Utför dem själv omsorgsfullt eller anlita ett auktoriserat serviceföretag.

### 6.1. Tvätt och rengöring

Tvättning och vaxning räcker vanligtvis som skötsel av däck och sidor. För ändamålet lämpar sig speciella båtrensmedel bäst. För att avlägsna små repor eller ingrodd smuts kan man använda svagt slipande polermedel. Gelcoat ytor kan med fördel tvättas med högtrycksspruta.

#### **Tips:**

Om man tvättar båten med kranvatten blir det ofta ett tunt, kritaktigt kalk- och minerallager kvar när båten torkat. Problemet löses genom att man blandar i några droppar tallsåpa i hinken med sköljningsvattnet.

#### **Tips:**

Fläckar av vattendroppar och kalk lossnar från rostfria räcken och handtag med t.ex. Lemon Pled-möbelspray eller citronsyra. Relingarna börjar skina lika fint som de gjorde när båten lämnade varvet.

#### **Tips:**

Om båtlinorna luktar illa efter säsongen kan blötlägga dem ett par timmar i en hink med en blandning av vatten, en flaska äppelvinäger och en skvätt sköljningsmedel för kläder. Låt sedan linorna torka ordentligt och de är som nya igen.

## 6.2. Skötsel­anvisningar för sittdynorna

Skydda alltid dynorna i det öppna utrymmet med kapell. Även om de är sydda av vattenfast material kan sömmarna släppa igenom vatten. Det är bra att skydda dynorna med Sunbrella-spray. Om dynorna är fuktiga en längre tid kan de mögla och bli förstörda. Ifall sittdynorna har blivit blöta måste du ta ut skumgummit och låta det torka i t.ex. solsken, rumstemperatur eller i bastu (50 °C). Garantin ersätter inte fuktskadade sittdynor.

### **OBS!**

För att sittdynorna skall hållas i gott skick över vintern bör de förvaras i ett torrt och väl ventilerat utrymme.

### **OBS!**

Våta dynor bör inte förvaras i båtens förvaringsutrymme eftersom de då möglar lätt.

### **OBS!**

De enskilda stolarna skall alltid skyddas med skyddshuvan då båten inte används. Ifall stolarna har blivit våta under bruk, skall de torka ordentligt före de täcks in med skyddshuvan.

Behandla sittdynornas knäppen med silikonvaselin eller -spray då och då, annars kan det hända att de tar fast så hårt att tyget går sönder när man tar loss dynorna. Garantin ersätter inte sönderrivna sittdynor.

## 6.3. Skötsel­anvisningar för teak­däck

Beroende på hur smutsigt ditt teak­däck är rengör du det på följande sätt:

Lite smutsigt: Tvätta det med tvättpulver och en hård tvättsvamp. Med tvättpulver menas samma sak som du använder då du tvättar kläder i en tvättmaskin. Du kan bra använda det billigaste tvättpulvret du hittar i butiken. Med hård tvättsvamp menas till exempel 3M:s gröna svamp som brukar vara bekant för de flesta. Ett alternativ till den gröna svampen är en vanlig rotborste.

Mycket smutsigt och repigt: Slipa teaken med en excenterslipmaskin. Använd slippapper av grovlek 120. De värsta ytorna kan du slipa med t.o.m. 80-papper. Det räcker bra att slipa bort en tunn yta (cirka 0,5 mm) för teak är ett hårt, oljigt träslag där smutsen inte tränger djupt in. Teak­däcket tjocklek är cirka 8 mm och träpropparnas tjocklek cirka 5 mm. Att slipa ner teak­däcket med 0,5 mm har ingen som helst betydelse för teak­däckets hållbarhet eller livslängd men efter slipningen har du ett teak­däck som ser ut som nytt.

### **VARNING!**

Tvätt aldrig ett teak­däck med trycktvätt för det kan skada ytan och träfibrerna. Stålbörste hör heller inte ihop med rengöring av ett teak­däck.

Efter rengöringen finns det två alternativ:

Teakytan behandlas inte överhuvudtaget utan man låter teak blekas i solljuset. Många tycker om den grå patinerade färgen.

2) Teakytan skyddas med teakolja så att teak får sin ursprungliga, rödbruna vackra färg.

Teakolja med färgämne eller med lack rekommenderas inte. Om du vill att ditt teak­däck skall hållas rödbrunt hela sommaren måste du tvätta och olja däck­et minst två gånger per år. Om du sätter olja utan på ett icke tvättat reakt­däck keder detta till att smutsen tränger djupare in i träet och teak­däcket blir mörkare. Det är alltså ytterst

viktigt att du alltid tvättar noggrant innan du sätter olja på teaken. Teak­däcket skall inte vara i solen då du sätter teakolja.

## 6.4. Skötsel­anvisningar för syntetiskt teak­däck

Syntetiskt teak­däck rengörs men rotborste och tvätt­medel (t.ex. bilschampo). Det går också att tvättas med trycktvätts­aggre­gat. Vid behov kan även slippapper användas (grovlek t.o.m. 80).

OBS! Syntetiskt teak får inte behandlas med olja eller pasta.

## 6.5. Skötsel­anvisningar för kapellet

Kapellet bör förvaras över vintern i ett torrt och väl ventilerat utrymme. Behandla kapellets knäp­pen då och då med silikonvaselin eller -spray. Annars kan det hända att de tar fast så hårt att ka­pellet går sönder när man öppnar det. Garantin ersätter inte sönderrivet kapell.

## 6.6. Skötsel­anvisningar för vindrutan

Båtens vindruta är av härdat glas och kan tvättas med normala fönsterputsmedel.

Tips: Undvik att torka med roterande rörelser när du tvättar båtens vindruta. Det kan lämna rundlar på vindrutan som syns i motljus och skymmer sikten. Använd tidningspapper eller en bomullstrasa och torka bort spåren efter tvätten först med vågräta och därefter med lodräta rörels­er. Upprepa ett par gånger så har du skinande fönster.

## 6.7. Skötsel­anvisningar för syrafasta delar

För att bibehålla sin glans och nya utseende bör båtens syrafasta delar ss handtag, räcken och pollare rengöras och vaxas. Även räckens fotplattors sidor rengörs. Smuts som blir under fotplattan börjar påminna om rost. Behandla delarna minst två ggr per sommar ifall inga skador förekommer. Behandla räcken också på hösten innan båten vinterförvaras.

## 6.8. Service av fjärreglaget

Fjärreglaget kräver normalt ingen annan service än smörjning och reglering i samband med vinter­servicen. Om fjärreglaget av någon anledning blir styvt skall det servas omedelbart.

## 6.9. Skötsel­anvisningar för styrsystemet

Hydraulstyrningen behöver normalt ingen service. Om styrningen blir "lös" finns det en läcka i sys­temet. Läckaget skall omedelbart åtgärdas!

### **VARNING!**

Ett hydraulstyrssystem som har en läcka eller luft i sig är livsfarligt.

## 6.10. Skötsel­anvisningar för elkomponenterna

Elektriska komponenter, till exempel huvudbrytaren, alla övriga brytare, anslutningsdon, behöver normalt ingen service då båten vinterförvaras i torrt och luftkonditionerat utrymme. Om du ändå vill skydda elkomponenterna mot oxidation går det lämpligast med fuktisolerings- och korrosions­skyddsspray.

## 6.11. Små ytreparationer

Du kan själv reparera mindre ytskador i skrovet eller däcket. Till ett gott resultat krävs ändå kun-  
nighet:

Skydda området kring skadan med tejp. Detta för att ytorna runt omkring skadan inte skall skadas i misstag. Med hjälp av tejp är det också lättare att hålla området som skall repareras så litet som möjligt.

Snedda kanterna på det skadade området genom slipning, och rengör med acetone.

Om skadan är mera än 2 mm djup kan det löna sig att fylla med spackel (typ Plastic Padding eller så kallat bilspackel. Också glasfiberspackel fungerar bra särskilt om skadan är lite större.)

Blanda 1,5 - 2% härdare i topcoaten. Mät noggrant upp mängden topcoat (t.ex. 0,5 dl eller 1,0 dl) och använd t.ex. en medicinspruta för att få en exakt blandning med 1,5-2 % härdare. Större andel härdare gör att den reparerade ytan blir full med små porer. Temperaturen (både båten och utrym-  
met) bör vara minst 20 grader. Härdningstiden är normalt 2 - 4 timmar. Du kan bra låta topcoaten torka ett dygn eller mera och därefter fortsätta.

Applicera topcoat på det skadade området så att ytan blir något högre än den omgivande ytan.

Lägg försiktigt tejp ovanpå topcoaten (målartejp = maskeringstejp eller förpackningstejp).

Avlägsna tejp när topcoaten har torkat och vattenslipa med 600- och 1200-papper.

Polera med slippasta.

De kulörer som används i båten är presenterade i tekniskt data. Det är bra att veta att i tillverkning av båten har det använts gelcoat-målning, men vid eventuella reparationer används alltid top-  
coat-målning. Gelcoat-målning härdar sig inte utan att vara i form men pga. tillsatt paraffin härdas topcoaten.

### **OBS!**

Vissa eftermontage och ändringar kan orsaka skada på båtens konstruktion eller vara en fara för säkerheten då det utförs på fel sätt. Ta kontakt med återförsäljaren innan tvivelaktiga åtgärder görs på båten.

## 7. Vinterförvaring

Att ta upp båten för vinterförvaring är en rutin som återkommer varje höst. Ta upp båten i god tid innan isen kommer. Din båt är inte dimensionerad för körning i is och är inte avsedd för bruk i tem-  
peraturer under 0° C (t.ex. länssystemet för regnvatten fryser). I samband med upptagningen är det skäl att gå igenom alla service-, reparations- och kontrollåtgärder.

Studera de serviceåtgärder som beskrivs i motormanualen. Vi rekommenderar att du låter en auk-  
toriserad serviceaffär vidta åtgärderna. Kom även ihåg servicen av fjärreglaget och styrsystemet.

Utför servicen på dessa enligt separata anvisningar och handböcker.

Åtgärder inför vinterförvaringen

Efter upptagningen är det skäl att tvätta båtens botten omedelbart. Alger och slem lossnar lättare medan de är våta. Töm kylarvattnet från motorn enligt användarhandbokens instruktioner. Utför vinterservicen på motorn och övrig apparatur enligt separata manualer. Om båten är utomhus un-  
der vintern eller i fuktiga utrymmen, avlägsna då textilier och annan utrustning som kan mögla eller korrodera i fukt. Byt ut slitna linor. Lämna genomföringsventilerna öppna till vintern.

Granska skrovets skick och slipa upp eventuella skråmor, så att fukt som trängt in i laminatet kan torka ur. Låt reparera skadorna på våren innan båten sjösätts.



Täck alltid in din båt så att det inte kan komma in snö i den. Se dock till att ventilationen är tillräcklig. Som extratillbehör finns vinterförvaringsskydd till Yamarin 60 BR.

## **7.1. Åtgärder inför sjösättningen**

Reparera eller låt reparera möjliga skador i gelcoaten i enlighet med punkt 6.10.

I havsområden bör man använda antifouling-färg (samma som bottenfärg) för att förhindra beväxtlighet under båtbottnen. Bottnen, motorn och propellern bör vara helt rena, annars ökar bränsleförbrukningen avsevärt. Om båten ligger vid en åmynning eller i insjövatten behövs antifouling-färg i allmänhet inte. Följ noggrant färgtillverkarens anvisningar då du målar. Om du slipar bort gammal antifouling-färg, kom ihåg att slipdammet som uppstår är giftigt.

Antifouling-färg behövs inte i sjöområden. Vi rekommenderar ändå användning av epoxi-primer ifall båten är sjösatt flera månader om året. Sötvatten, och speciellt varmt sötvatten har en förmåga att lättare tränga in i laminatet än saltvatten.

### **OBS!**

Måla inte zinkanoder eller kolvstängerna till motortrimmens hydraulcylindrar. Använd inte kopparhaltiga färger på aluminiumdelar, följ färgtillverkarens anvisningar.

### **Tips:**

Kasta inte bort en använd målpensel. En torkad och hård antifouling-pensel kan användas på nytt om du först blötlägger den ett par timmar i en blandning av två liter hett vatten, en deciliter ättika och en halv deciliter bakpulver.

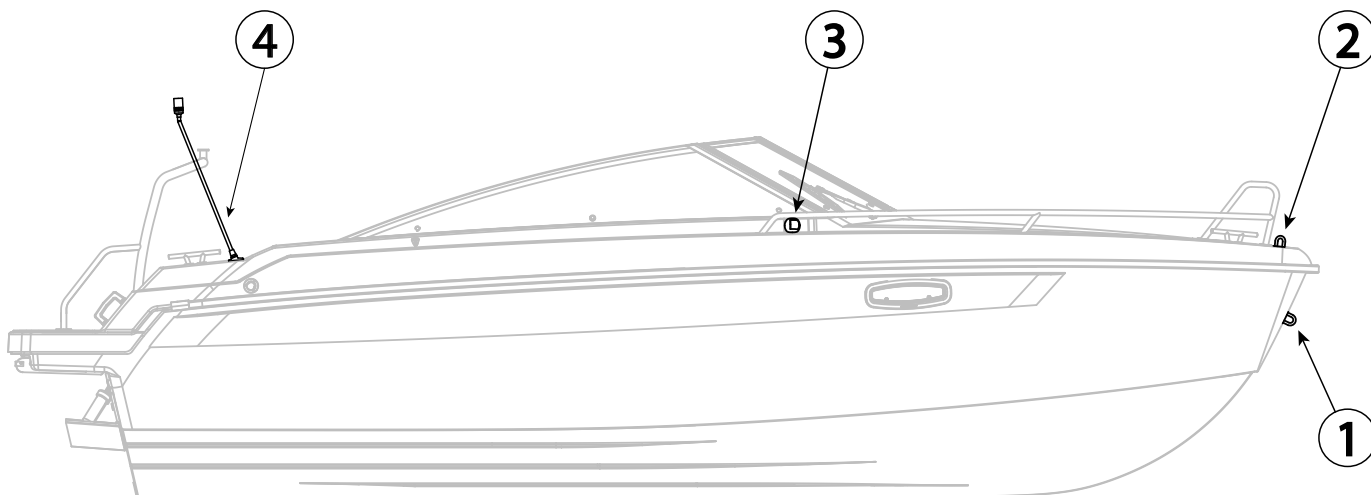
Utför serviceåtgärder för motorn enligt motormanualen. Kontrollera att de elektriska anordningarna fungerar och ta bort oxid från anslutningsdon vid säkringar m.m.

Kom ihåg att bensin blir gammalt och att motorn alltid skall startas på våren med färsk bensin.

När båten är sjösatt skall du öppna alla genomföringsventiler och kontrollera att det inte finns några läckor i slangarna eller kopplingarna. Ta säkerhetsutrustningen ombord innan du ger dig ut på sjön.

## 8. Arrangemang

### 8.1. Allmänt arrangemang

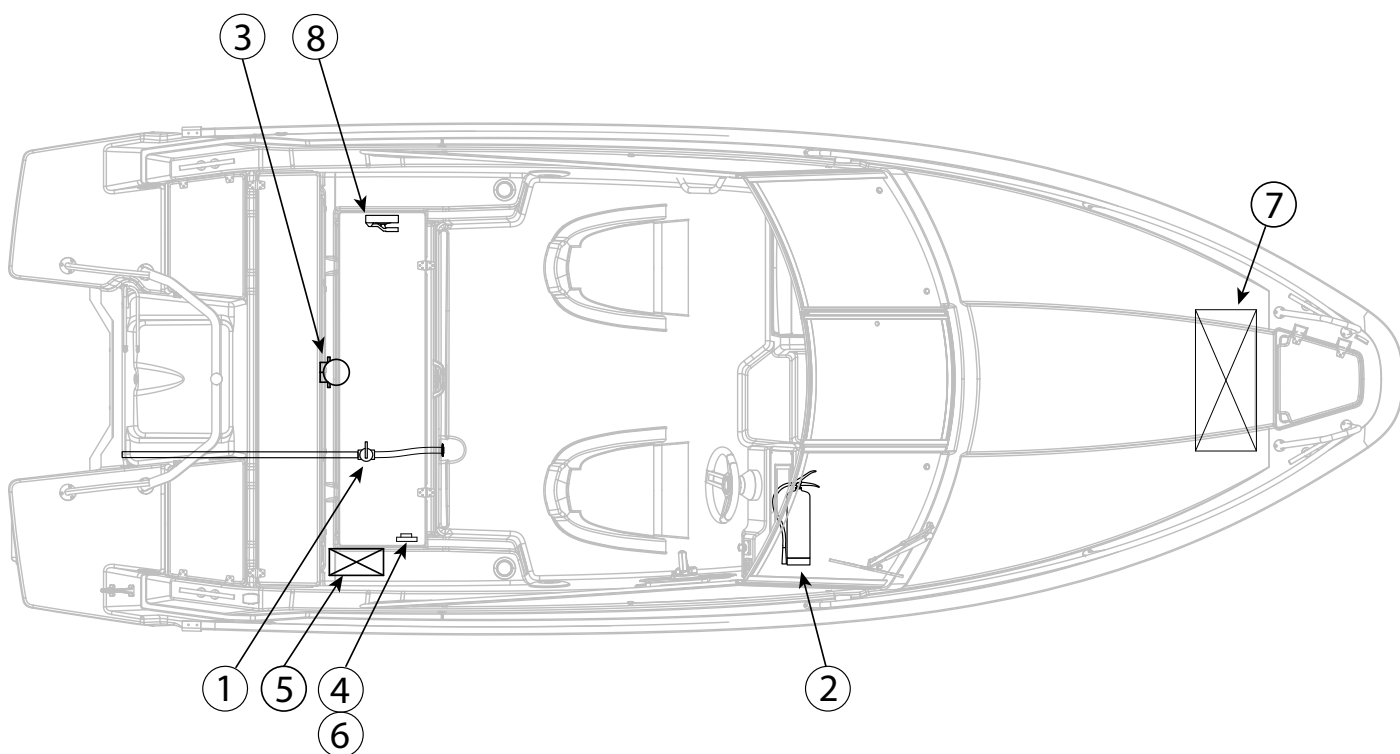


1. Stävögla

2. Låsögla klass 3

3. Navigationsljus

4. Mastlanterna



1. Regnvattendraineringens  
avstängningsventil

2. Brandsläckare

3. Bränslefiltret

4. Säkringspanel

5. Batteri

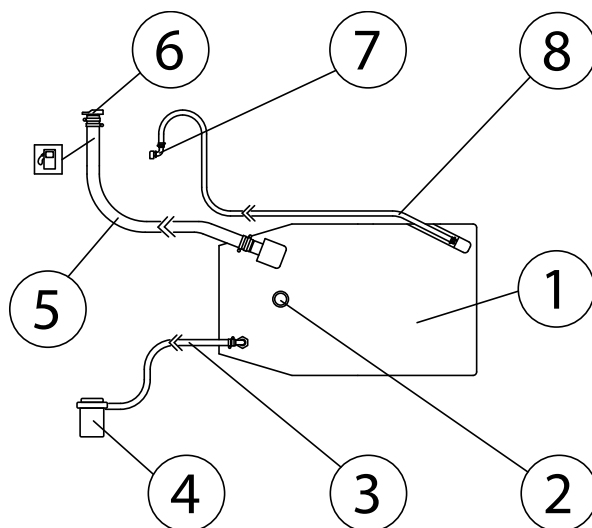
6. Huvudströmbrytare

7. Plats för eventuell räddningsflotte

8. Handlänspump

## Bränslesystem

Båten är försedd med fast bränsletank. Bränsleledningen är försedd med ett bränslefilter som även fungerar som vattenavskiljare. Filtret ska bytas åtminstone en gång per år. När ett nytt filter eller ett demonterat filter monteras måste bränsleledningen fyllas med bränsle med hjälp av pumpen i bränsleslangen innan motorn startas.



- |                             |                                      |
|-----------------------------|--------------------------------------|
| 1. Bränsletank              | 5. Bränsletankens påfyllnadsslang    |
| 2. Bränsletankens givare    | 6. Bränslepåfyllning                 |
| 3. Bränsle tillflödes slang | 7. Bränsletankventilation            |
| 4. Bränslefilter            | 8. Bränsletankens ventilations slang |

## 8.2. Styrssystem

Yamarin 60 BR har hydraulstyrning som standard. Till hydraulstyrsystemets egenskaper hör att rattens ställning växlar ständigt och därför är båten försedd med symmetrisk ratt. Hydraulslangarnas längd är 5,5 m.

Normalt behövs ingen service för hydraulstyrningen. Om styrningen blir "lös", förekommer ett läckage i systemet. Läckaget bör repareras genast!

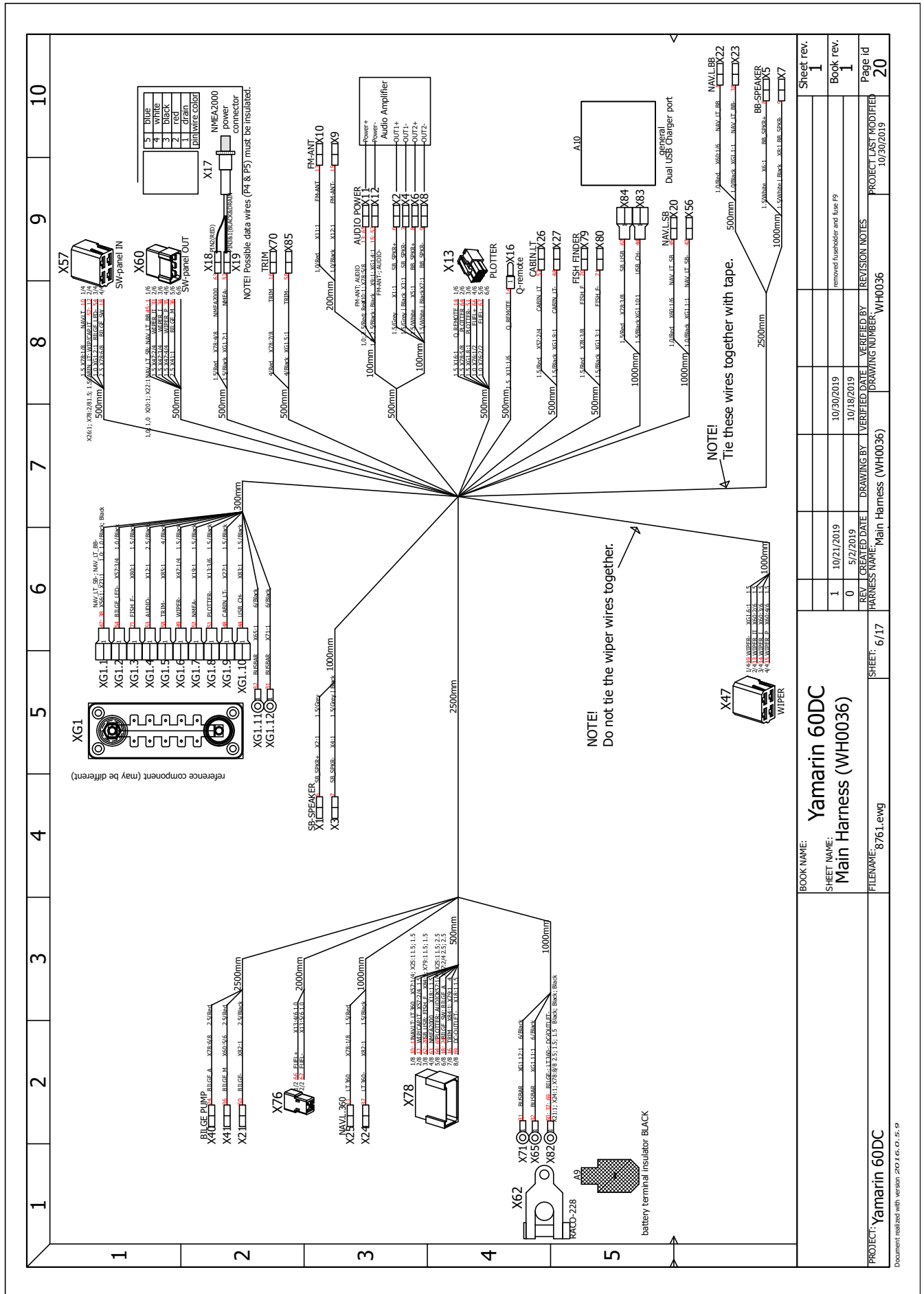
### **OBS!**

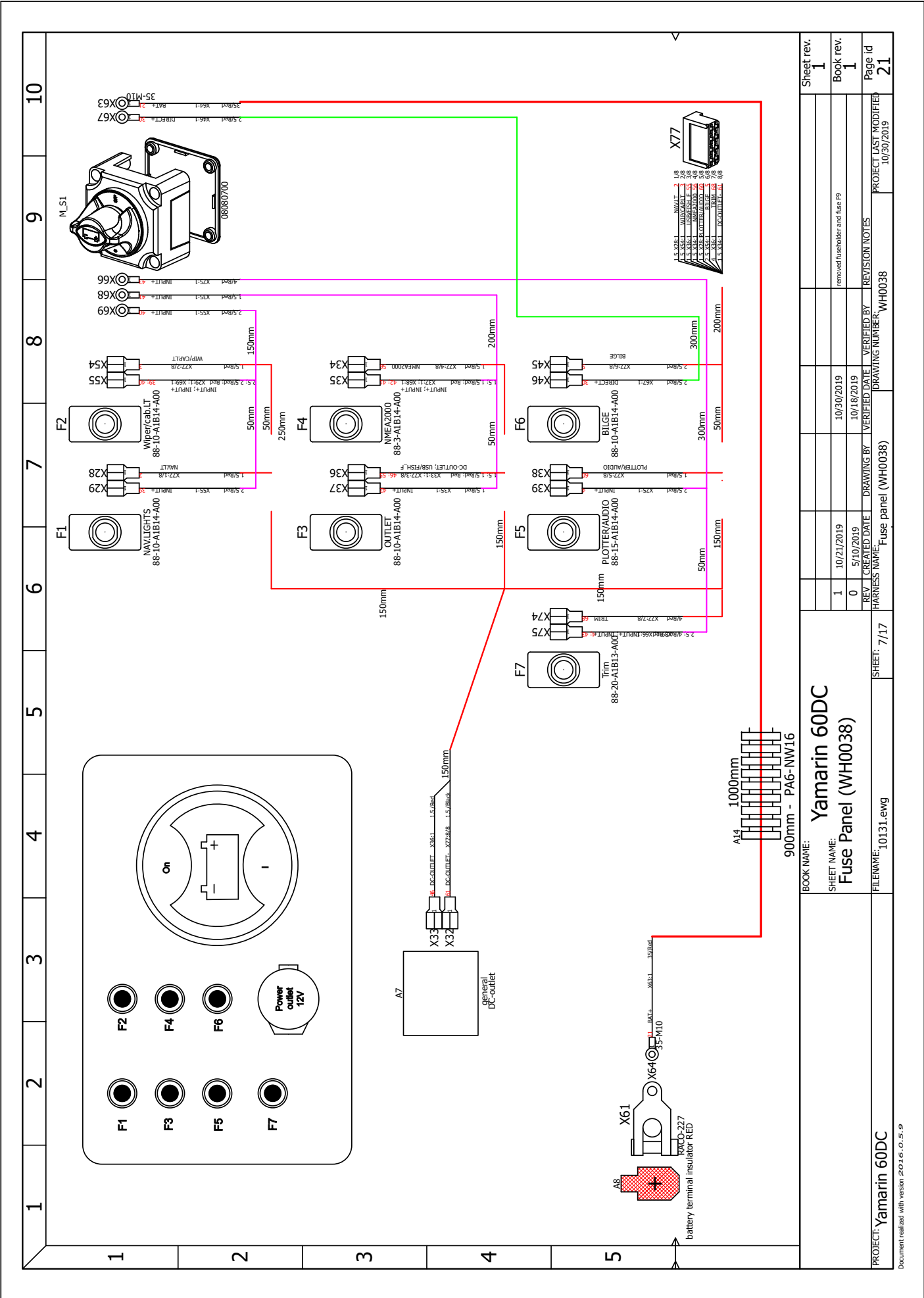
Om du byter ut någon komponent i styrsystemet bör du komma ihåg att alla komponenterna skall uppfylla kraven i ISO 10592-standarden och vara CE-märkta.

### **FARA!**

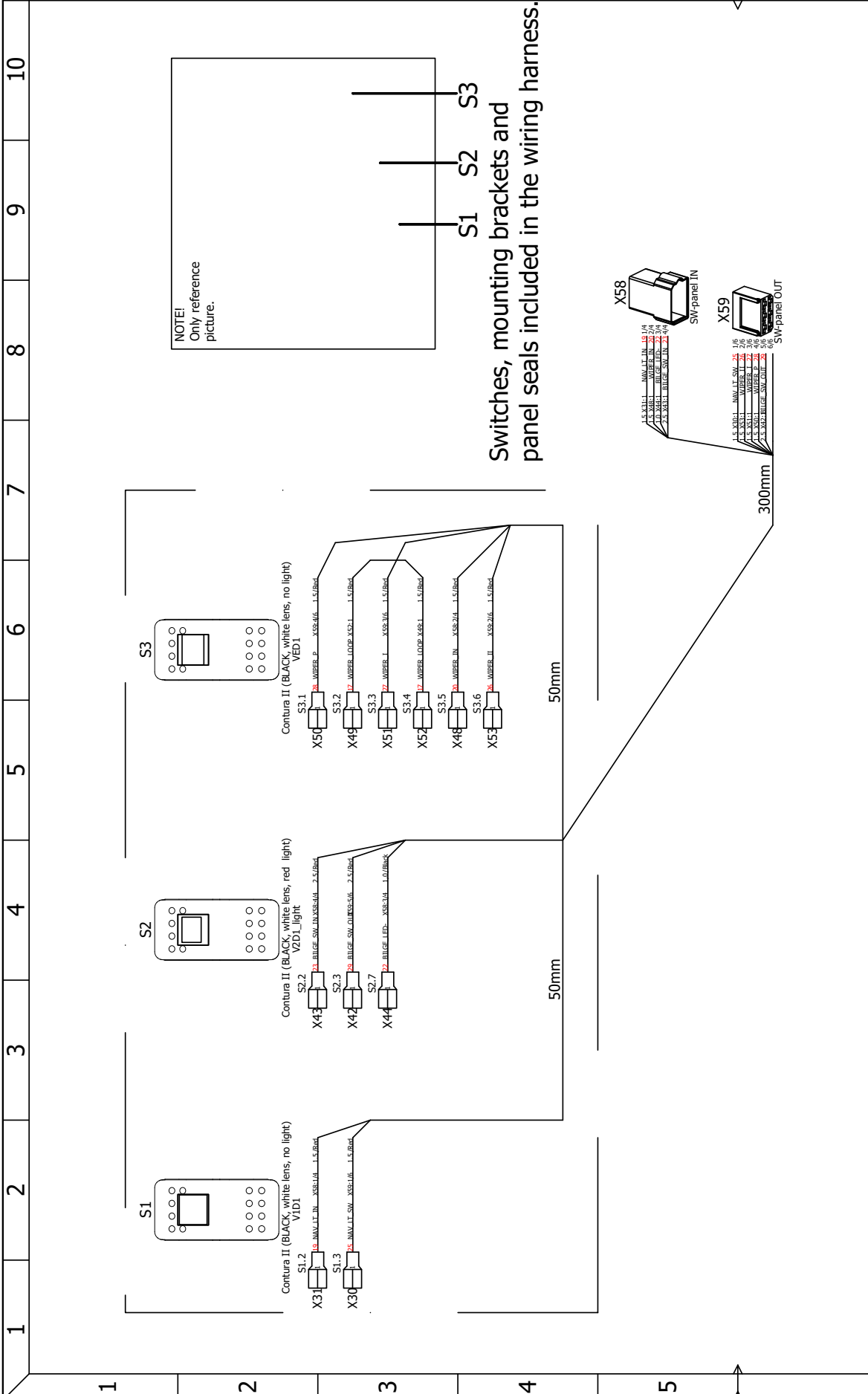
Läckage eller luft i hydraulstyrsystemet är livsfarligt!

# 9. Kopplungsschema





PROJECT: <b>Yamarin 60DC</b>		SHEET: 7/17		HARNES NAME: Fuse panel (WH0038)		DRAWING NUMBER: WH0038		PROJECT LAST MODIFIED: 10/30/2019		Page id: 21	
BOOK NAME: <b>Yamarin 60DC</b>		SHEET NAME: <b>Fuse Panel (WH0038)</b>		FILENAME: 10131.ewg		REV. CREATED DATE: 10/18/2019		REV. VERIFIED BY: removed fuseholder and fuse F9		Book rev.: 1	
REV. 1		10/21/2019		DRAWING BY: 5/10/2019		REV. 0		REV. VERIFIED DATE: 10/18/2019		Book rev.: 1	
REV. 0		5/10/2019		DRAWING BY: 5/10/2019		REV. 0		REV. VERIFIED DATE: 10/18/2019		Book rev.: 1	
REV. 0		5/10/2019		DRAWING BY: 5/10/2019		REV. 0		REV. VERIFIED DATE: 10/18/2019		Book rev.: 1	



Switches, mounting brackets and panel seals included in the wiring harness.

PROJECT: Yamarin 60DC		BOOK NAME: Yamarin 60DC		SHEET: 8/17		Sheet rev: I	
FILENAME: 10175.ewg		SHEET NAME: Switch Panel (WH0037)		DRAWING BY: 10/21/2019		Book rev: I	
				REV: 0		Page id	
				CREATED DATE: 5/14/2019		PROJECT LAST MODIFIED: 10/30/2019	
				DRAWING BY: 10/18/2019		REVISION NOTES	
				HARNESS NAME: Switch Panel (WH0037)		DRAWING NUMBER: WH0037	
				VERIFIED DATE: 10/18/2019		VERIFIED BY:	
				VERIFIED DATE: 10/18/2019		VERIFIED BY:	



**Yamarin 60 Day Cruiser  
2020->**

**Rev. 1**

**Owner's manual  
Käyttäjän käsikirja  
Användarhandbok**

