



YAMARIN

67 Day Cruiser



Owner's Manual
Käyttäjän käsikirja
Användarhandbok

EM POWERED BY  **YAMAHA**



**Yamarin 67 Day Cruiser
Owner's Manual**

FOREWORD

Congratulations on choosing a Yamarin boat! We are delighted to welcome you as a Yamarin owner.

The intention of this manual is to help you to operate your craft safely, with maximum enjoyment

The manual contains details of the craft, the equipment supplied or fitted, its systems and information on its operation, care and maintenance. Please read it carefully, and familiarise yourself with the craft before using it.

Naturally, the owner's manual is not a course on boating safety or seamanship. If this is your first craft, or you are changing to a type of craft you are not familiar with, for your own comfort and safety, please ensure that you obtain handling and operating experience before "assuming command" of the craft. Your dealer or national sailing association or yacht club will be pleased to advise you of local boating schools, or competent instructors.

This owner's manual is not a detailed maintenance or trouble shooting guide. In case of difficulty please contact the dealer. Always use qualified and competent people for the maintenance, repair and modification of the boat. Modifications that may affect the safety characteristics of the craft shall be assessed, executed and documented by competent people. The manufacturer is not responsible for modifications he has not approved.

Always keep your boat in a good condition and be aware that the boat requires maintenance and servicing. Any craft – no matter how strong it may be, can be severely damaged if not used properly.

Always adjust the speed and direction of the craft to sea conditions.

All persons should wear a suitable buoyancy aid (Life jacket/Personal Flotation Device) when on deck.

We wish you many enjoyable times on-board your Yamarin boat!

Inhan Tehtaat, Inha Works
Hahdenniementie 2
FI-21120 Raisio
Finland

www.yamarin.com

PLEASE KEEP THIS MANUAL IN A SECURE PLACE, AND HAND IT OVER TO THE NEW OWNER IF YOU SELL THE CRAFT.

Table of Contents

1.	General.....	9
2.	Definitions.....	9
3.	Warranty.....	9
4.	Before use.....	9
4.1.	Registration.....	9
4.2.	Insurance.....	10
4.3.	Training.....	10
5.	Characteristics and use of your boat.....	10
5.1.	Basic data.....	10

5.2.	Builder's plate	11
5.3.	Technical specifications	11
5.4.	Maximum recommended number of passengers	12
5.5.	Loading	12
5.6.	Engine and propeller	12
5.7.	Prevention of water incursion and stability	13
5.7.1.	Hull and deck through fittings and closing valves	13
5.7.2.	Stability and buoyancy	14
5.8.	Avoiding the risk of fire or danger of explosion	14
5.8.1.	Fire protection.....	14
5.8.2.	Refuelling.....	15
5.9.	Fuel operated systems.....	16
5.9.1.	Heater.....	16
5.9.2.	Stove	16
5.10.	Main power switches and circuit breakers.....	17
6.	Proper use – other recommendations and guidelines.....	17
6.1.	Controls	18
6.2.	Emergency switch.....	18
6.3.	Gearshift and throttle.....	18
6.4.	Adjusting of trim angle	18
6.5.	Starting the engine	20
6.6.	Driving.....	20
6.7.	Approaching and leaving the dock	21
6.8.	Using the canopy.....	21
6.9.	Windshield door.....	22
6.10.	Deck hatch.....	22
6.11.	Stairs, sharp windshield corner and cabin door	22
6.12.	Man overboard.....	23
6.13.	Securing loose equipment.....	23
6.14.	Respect for the environment	23
6.15.	Toilet and septic tank use.....	23
6.16.	Anchoring and mooring the boat	24
6.17.	Towing.....	25
6.18.	Trailer transport.....	25
6.19.	Docking.....	26
7.	Servicing and maintenance	27
7.1.	Washing and waxing the boat	27
7.2.	Care instructions for seat cushions	27
7.3.	Care instructions for the canopy.....	28
7.4.	Care instructions for the windshield	28
7.5.	Care instructions for the stainless steel components.....	28
7.6.	Electronic remote control device maintenance instructions.....	28
7.7.	Care instructions for the steering system	28
7.8.	Care instructions for electrical components	28
7.9.	Minor superficial repairs	28
7.10.	Winter storage.....	29
7.10.1.	Measures before winter storage.....	29
7.10.2.	Measures before launching the boat.....	29
8.	Lay-out.....	31
8.1.	General lay-out.....	31
8.2.	Fuel system	31
8.3.	Steering system.....	32
8.4.	Electrical system	32
9.	Wiring diagrams.....	98

EU Declaration of Conformity of Recreational Craft with the Design, Construction and Noise Emission requirements of Directive 2013/53/EU

(To be completed by manufacturer or if mandated, authorised representative)

Name of recreational craft manufacturer: Inhan Tehtaat Oy Ab, Inha Works Ltd.

Address: Hahdenniementie 2

Town: Raisio Post Code: 21120 Country: Finland

Name of authorised representative (if applicable): _____

Address: _____

Town: _____ Post Code: _____ Country: _____

Module used for design and construction assessment: A A1 B+C B+D B+E B+F G H

Name of Notified Body for design and construction assessment (if applicable): DNV GL SE

Address: Brooktorkai 18

Town: Hamburg Post Code: 20416 Country: Germany ID Number: 0098

Notified Body certificate¹ number (if applicable): RCDB00000CJ Date: 04.02.2021

Module used for noise emission assessment (if applicable): A A1 G H

Name of Notified Body for noise emission assessment (if applicable): _____

Address: _____

Town: _____ Post Code: _____ Country: _____ ID Number: _____

Notified Body certificate¹ number (if applicable): _____ Date: _____

Other Community Directives applied : _____

DESCRIPTION OF RECREATIONAL CRAFT:

Watercraft Identification Number: FI - YAM48

Brand name of the Recreational Craft: Yamarin Model or Type: 67 Day Cruiser

Type of construction:

Rigid Inflatable Rigid-Inflatable (RIB)

Type of hull:

Monohull Multihull

Hull construction material:

Aluminium, aluminium alloys Moulded Fibre Reinforced Plastic
 Steel, steel alloys Wood
 Other (specify): _____

Recreational Craft Design category(-ies) related to the maximum recommended number of persons:

Category	Number of Persons	Max Load [kg]
A		
B		
C	8	791
D		

Length of hull L_{II} 6,76 m

Beam of hull B_{II} 2,55 m

Maximum Draught T: _____ m

Deck:

Fully enclosed
 Partially protected
 Open

Craft main propulsion:

Sail, projected sail area A_s: _____ m²
 Human propulsion
 Engine/motor propulsion
 Other (specify): _____

Installed engine type (if applicable):

Internal combustion, Diesel (CI)
 Internal combustion, Petrol (SI)
 Internal combustion, LPG/CNG
 Electric
 Other (specify): _____

Installed propulsion type (if applicable):

Outboard
 Inboard with shaft line
 Z or Sterndrive
 Pod-drive
 Sail-drive
 Other (specify): _____

Integral exhaust propulsion (if applicable): Yes No

Maximum Recommended engine power: 186,4 kW


Installed engine power: _____ kW

Number of propulsion engines: 1 #

Maximum recommended engine mass²: 313 kg

This declaration of conformity is issued under the sole responsibility of the manufacturer. I declare on behalf of the manufacturer that the recreational craft mentioned above fulfils the requirements specified in Article 4 (1) and Annex I of Directive 2013/53/EU.

Name and function: Christopher Sjöblom, CEO
 (identification of the person empowered to sign on behalf of the manufacturer or his authorised representative)

Signature and title: 
 (or an equivalent marking)

Date and place of issue (dd/mm/yyyy): 04/02/2021

¹ The document may have a different name according to each module (A1: Stability and buoyancy report, B: EC type examination certificate, G: Certificate of conformity, etc.)
² For outboard powered boats only

The empty template was compiled and made available by the **International Marine Certification Institute** at www.imci.org. This document is under the sole responsibility of the manufacturer.

Essential requirements (reference to relevant articles in Annex IA & IC of the Directive)	Harmonised standards Full Application	Harmonised standards Partial application, see tech. file	Other reference documents ³ Full Application	Other reference documents Partial Application, see tech. file	Other proof of conformity See technical file	Specify the harmonised ⁴ standards or other reference documents used (with year of publication like "EN ISO 8666:2002")
	Tick only one box per line					
General requirements (2)						
Principal data – main dimensions	<input checked="" type="checkbox"/>					ISO 8666:2018
Watercraft Identification Number – WIN (2.1)	<input checked="" type="checkbox"/>					EN ISO 10087:2006
Watercraft Builder's Plate (2.2)	<input checked="" type="checkbox"/>	<input type="checkbox"/>	<input type="checkbox"/>	<input type="checkbox"/>	<input type="checkbox"/>	2013/53/EU1A-2.2
Protection from falling overboard and means of reboarding (2.3)	<input checked="" type="checkbox"/>	<input type="checkbox"/>	<input type="checkbox"/>	<input type="checkbox"/>	<input type="checkbox"/>	EN ISO 15085:2003+A2:2018
Visibility from the main steering position (2.4)	<input checked="" type="checkbox"/>	<input type="checkbox"/>	<input type="checkbox"/>	<input type="checkbox"/>	<input type="checkbox"/>	EN ISO 11591: 2016
Owner's manual (2.5)	<input checked="" type="checkbox"/>	<input type="checkbox"/>	<input type="checkbox"/>	<input type="checkbox"/>	<input type="checkbox"/>	EN ISO 10240:2004 + A1 2015
Integrity and structural requirements (3)						
Structure (3.1)	<input checked="" type="checkbox"/>	<input type="checkbox"/>	<input type="checkbox"/>	<input type="checkbox"/>	<input type="checkbox"/>	EN ISO 12215-1:2018, EN ISO 12215-2:2018, EN ISO 12215-3:2018, EN I
Stability and freeboard (3.2)	<input checked="" type="checkbox"/>	<input type="checkbox"/>	<input type="checkbox"/>	<input type="checkbox"/>	<input type="checkbox"/>	EN ISO 12217-1:2017, EN ISO 12217-3:2017
Buoyancy and flotation (3.3)	<input checked="" type="checkbox"/>	<input type="checkbox"/>	<input type="checkbox"/>	<input type="checkbox"/>	<input type="checkbox"/>	EN ISO 12217-1:2017, EN ISO 12217-3:2017
Openings in hull, deck and superstructure (3.4)	<input checked="" type="checkbox"/>	<input type="checkbox"/>	<input type="checkbox"/>	<input type="checkbox"/>	<input type="checkbox"/>	EN ISO 9093-1:2018, EN ISO 12216:2018
Flooding (3.5)	<input checked="" type="checkbox"/>	<input type="checkbox"/>	<input type="checkbox"/>	<input type="checkbox"/>	<input type="checkbox"/>	EN ISO 11812:2018, EN ISO 15083:2018
Manufacturer's maximum recommended load (3.6)	<input checked="" type="checkbox"/>	<input type="checkbox"/>	<input type="checkbox"/>	<input type="checkbox"/>	<input type="checkbox"/>	EN ISO 14946:2001 / AC:2005
Liferaft stowage (3.7)	<input checked="" type="checkbox"/>	<input type="checkbox"/>	<input type="checkbox"/>	<input type="checkbox"/>	<input type="checkbox"/>	RCD Annex I 3.7
Escape (3.8)	<input type="checkbox"/>	<input type="checkbox"/>	<input type="checkbox"/>	<input type="checkbox"/>	<input type="checkbox"/>	
Anchoring, mooring and towing (3.9)	<input checked="" type="checkbox"/>	<input type="checkbox"/>	<input type="checkbox"/>	<input type="checkbox"/>	<input type="checkbox"/>	EN ISO 15084:2018
Handling characteristics (4)	<input checked="" type="checkbox"/>	<input type="checkbox"/>	<input type="checkbox"/>	<input type="checkbox"/>	<input type="checkbox"/>	EN ISO 11592-1:2016
Engines and engine spaces (5.1)						
Inboard engine (5.1.1)	<input type="checkbox"/>	<input type="checkbox"/>	<input type="checkbox"/>	<input type="checkbox"/>	<input type="checkbox"/>	
Ventilation (5.1.2)	<input type="checkbox"/>	<input type="checkbox"/>	<input type="checkbox"/>	<input type="checkbox"/>	<input type="checkbox"/>	
Exposed parts (5.1.3)	<input type="checkbox"/>	<input type="checkbox"/>	<input type="checkbox"/>	<input type="checkbox"/>	<input type="checkbox"/>	
Outboard engine starting (5.1.4)	<input type="checkbox"/>	<input type="checkbox"/>	<input type="checkbox"/>	<input type="checkbox"/>	<input type="checkbox"/>	
Fuel system (5.2)						
General – fuel system (5.2.1)	<input checked="" type="checkbox"/>	<input type="checkbox"/>	<input type="checkbox"/>	<input type="checkbox"/>	<input type="checkbox"/>	EN ISO 8469:2021, EN ISO 10088:2013, EN ISO 21487:2012/A1:2014
Fuel tanks (5.2.2)	<input checked="" type="checkbox"/>	<input type="checkbox"/>	<input type="checkbox"/>	<input type="checkbox"/>	<input type="checkbox"/>	EN ISO 21487:2012+A2:2015
Electrical systems (5.3)	<input checked="" type="checkbox"/>	<input type="checkbox"/>	<input type="checkbox"/>	<input type="checkbox"/>	<input type="checkbox"/>	EN ISO 8849:2018, EN ISO 10133:2012, EN ISO 13297:2018
Steering systems (5.4)						
General – steering system (5.4.1)	<input checked="" type="checkbox"/>	<input type="checkbox"/>	<input type="checkbox"/>	<input type="checkbox"/>	<input type="checkbox"/>	EN ISO 8847:2017, EN ISO 10592:2017, EN ISO 25197:2012+A1:2014, E
Emergency arrangements (5.4.2)	<input type="checkbox"/>	<input type="checkbox"/>	<input type="checkbox"/>	<input type="checkbox"/>	<input type="checkbox"/>	
Gas systems (5.5)						
Fire protection (5.6)						
General – fire protection (5.6.1)	<input checked="" type="checkbox"/>	<input type="checkbox"/>	<input type="checkbox"/>	<input type="checkbox"/>	<input type="checkbox"/>	EN ISO 9094:2017
Fire-fighting equipment (5.6.2)	<input checked="" type="checkbox"/>	<input type="checkbox"/>	<input type="checkbox"/>	<input type="checkbox"/>	<input type="checkbox"/>	EN ISO 9094:2017
Navigation lights, shapes and sound signals (5.7)	<input checked="" type="checkbox"/>	<input type="checkbox"/>	<input type="checkbox"/>	<input type="checkbox"/>	<input type="checkbox"/>	EN ISO 16180:2018, 1972 COLREG
Discharge prevention (5.8)	<input type="checkbox"/>	<input type="checkbox"/>	<input type="checkbox"/>	<input type="checkbox"/>	<input type="checkbox"/>	
Annex I.B – Exhaust Emissions⁵						
Annex I.C – Noise Emissions⁶						
Noise emissions level (I.C.1)	<input type="checkbox"/>	<input type="checkbox"/>	<input type="checkbox"/>	<input type="checkbox"/>	<input type="checkbox"/>	
Owner's manual (I.C.2)	<input type="checkbox"/>	<input type="checkbox"/>	<input type="checkbox"/>	<input type="checkbox"/>	<input type="checkbox"/>	

³ Such as non-harmonised standards, rules, regulations, guidelines, etc.

⁴ Standards published in EU Official Journal

⁵ See Declaration of Conformity of engine manufacturer

⁶ Only to be completed for boats with inboard engines or sterndrive engines without integral exhaust

BEFORE YOU SET OFF

Familiarize yourself with this owner's manual.

Always check at least the following items before leaving:

Weather conditions and forecast

Take the wind, waves, and visibility into account. Are the design category, size, and equipment of your boat, as well as the skills of the skipper and crew adequate for the water area you are aiming for? During use, hull windows and other hatches must be battened down to prevent water incursion

Loading and stability

Do not overload the craft and distribute loads appropriately. To avoid impairment of the craft's stability, do not place heavy items high up. Please consider that the stability of the boat is reduced if people stand up when on-board during use.

Passengers

Ensure that there is Personal Flotation Device or Lifejackets for all people on-board. Agree crew tasks before setting off.

Fuel and fuel system

Make sure that the boat has enough fuel. Keep in mind that rough conditions at sea impact on fuel consumption and that it can increase by more than 30% when compared to calm conditions. As a rule of thumb, you should aim for there being at least 20% left in the tank when arriving at your destination. Regularly check the fuel filter to ensure that there is no water in the moisture trap located under the fuel filter itself. The fuel filter should be changed 1-2 times per year depending on engine hours and quality of fuel.

Engine and maneuvering equipment

Check the function and condition of steering, batteries and remote control and carry out routine checks according to the engine manual

Boat's seaworthiness

Check the boat's seaworthiness: no fuel or water leaks are permitted, safety equipment must be available on-board etc. Check that there is no water in the bilge!

Fastening of equipment

Check that all equipment and heavy items are positioned so that they are held in place during travel at sea and high winds. Please note that the seat cushions may fly overboard if they are not fixed properly with press studs.

Nautical charts

If you are not navigating in familiar waters, ensure you have nautical charts on-board that cover a large enough area. If your boat is equipped with a chart plotter, familiarize yourself with it before setting off. Ensure that the plotter charts are of the latest edition

Leaving the berth

Agree with the crew who will release each mooring line, etc. Be careful not to let mooring lines or the anchoring line to tangle in the propeller during maneuvering.

Obligatory equipment

What is considered obligatory equipment varies from country to country. Find out what is required for your boat.

You will find additional instructions concerning the engine in a separate manual.

1. General

The owner's manual will help you familiarise yourself with the properties and features of your new boat and with its care and maintenance. Separate manuals for installed equipment are attached and are referred to in many sections of the owner's manual. You can supplement this user manual by adding the manuals of devices which are installed afterwards. Space has been left for your own notes at the end of the manual.

The user manual is not meant to be a complete service or repair manual; it simply guides the user to use his/her boat in a proper way.

Pictures and drawings of this manual might include optional or country-specific features.

The craft has a running serial number, a CIN-code (Craft Identification Number). The CIN-code can be found on the starboard side of the transom just below the bathing platform. We recommend that you write down the CIN-code in the declaration of conformity on the following page. When contacting the dealer, please provide the CIN code and the type of craft. This helps in delivering the correct spare parts.

2. Definitions

The warnings and cautions in this manual are defined as follows:

DANGER!

Denotes an extreme intrinsic hazard that will result in a high probability of death or permanent injury if proper precautions are not taken.

WARNING!

Denotes a hazard which can result in injury or death if proper precautions are not taken.

NOTE!

Denotes a reminder of safe practices or directs attention to unsafe practices which could result in personal injury or damage to the craft or components or the environment.

SI system units are used in this manual. In some cases, other units have been added in brackets. An exception is wind speed, for which the Beaufort scale is used in the Recreational Craft Directive.

3. Warranty

The boat and its factory-installed equipment have a two-year warranty, starting on the first day of use. Please contact your dealer regarding any potential warranty issues. Please remember to provide the CIN code. If possible, please provide a digital photograph of the subject of your claim. This usually speeds up the claims process.

4. Before use

4.1. Registration

Registration regulations vary between different countries. Find out what is required in relation to your own boat.

4.2. Insurance

Boat insurance can compensate damage occurring on water or during transport and lifting. Check who has insurance liability each time when having the boat lifted. Insurance also has an indirect effect on safety at sea: In the event of a serious accident or damage, you must, above all, concentrate on saving people. Insurance companies will be able to give more information about different insurance alternatives. Check who has insurance liability each time when having the boat lifted or transported!

4.3. Training

No one is a born sailor. There is plenty of boating literature available. Navigation courses are arranged by local yacht clubs or national boating associations where you can gain basic skills. However, please remember that you only become confident in boat handling, navigation, docking and anchoring after long practical experience.

5. Characteristics and use of your boat

5.1. Basic data

Recreational crafts can be constructed according to 4 categories (A, B, C and D) under the Recreational Craft Directive 2013/53/EU. This boat has been constructed according to design category C. The meanings of the various design categories are explained below.

Category A:

The boat is built for conditions where wind speed can exceed 8 Beaufort (approx. 21 m/s), and where the significant height of the waves (please refer to note below) can exceed 4 metres. In such circumstances the boats are largely self-sufficient. Category A does not include abnormal conditions such as hurricanes. Such conditions may be encountered on extended voyages, for example when crossing oceans, or in coastal areas where there is an open expanse of sea for several hundred nautical miles off the coast.

Category B:

The boat is built for conditions where wind speeds can reach a maximum of 8 Beaufort (approx. 21 m/s), and where the corresponding significant height of the waves (please refer to note below) is 4 metres at most. Such conditions may be encountered on offshore voyages of sufficient length, or on coastal waters when unsheltered from the wind and waves for several dozens of nautical miles. These conditions may also be experienced on inland seas of sufficient size for the wave height to be generated.

Category C:

The boat is built for conditions where wind speeds can reach a maximum of 6 Beaufort (approx. 14 m/s), and where the corresponding significant height of the waves (please refer to note below) is 2 metres at most. Such conditions may be encountered on exposed inland waters, in estuaries, and in coastal waters in moderate weather conditions.

Category D:

The boat is built for conditions where wind speeds can reach a maximum of 4 Beaufort (approx. 8 m/s), and for corresponding seas (significant wave height does not exceed 0.3 metres, and the height of the greatest waves does not exceed 0.5 metres). Such conditions may be encountered on protected inland waters, and in coastal areas during fine weather conditions.

Note:

Significant wave height is a term used in boat design. In practice, significant wave height means the average height of the highest third of all wave heights measured in the waters. If the significant wave height is 2.0 m, the mean height of all waves is roughly 1.2 m.

Maximum recommended load:

See technical specification.

Please also refer to section 5.4 “Loading”.

Main dimensions and capacities:

See technical specification. Craft length, width, draught, total weight, etc., and tank capacities are shown in the technical specifications.

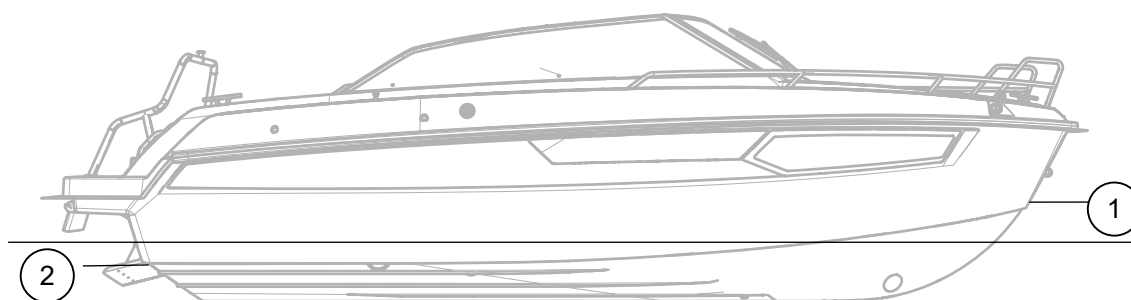
5.2. Builder’s plate

Part of the aforementioned information is given on the builder’s plate, which is affixed next to the remote control. Supplementary information is provided in the appropriate sections of this manual.

5.3. Technical specifications

Model	Yamarin 67 Day Cruiser
Design category	C
Overall length	6,76 m
Width	2,55 m
Boat weight	1686 kg
Maximum number of passengers	8
Maximum load on builder’s plate (CE-sign)	791kg incl. 8 persons (75 kg each) 600 kg + stores & cargo 130 kg + basic equipment 20 kg + liferaft 40 kg
Maximum engine power	186,4 kW / 250 hp
Maximum engine weight	313 kg
Fuel tank capacity	195 l
Draught	m
Maximum height from water line at light load	m
Reached speed at boat test	approx. 45 knots

Image: Boat’s water line



Waterline:	
At stem	160 mm directly up from chine (2)
At bow	500 mm down from chine along the bow (1)

NOTE!

The measurements indicate the upper limit of antifouling paint, not the boat's true water line.

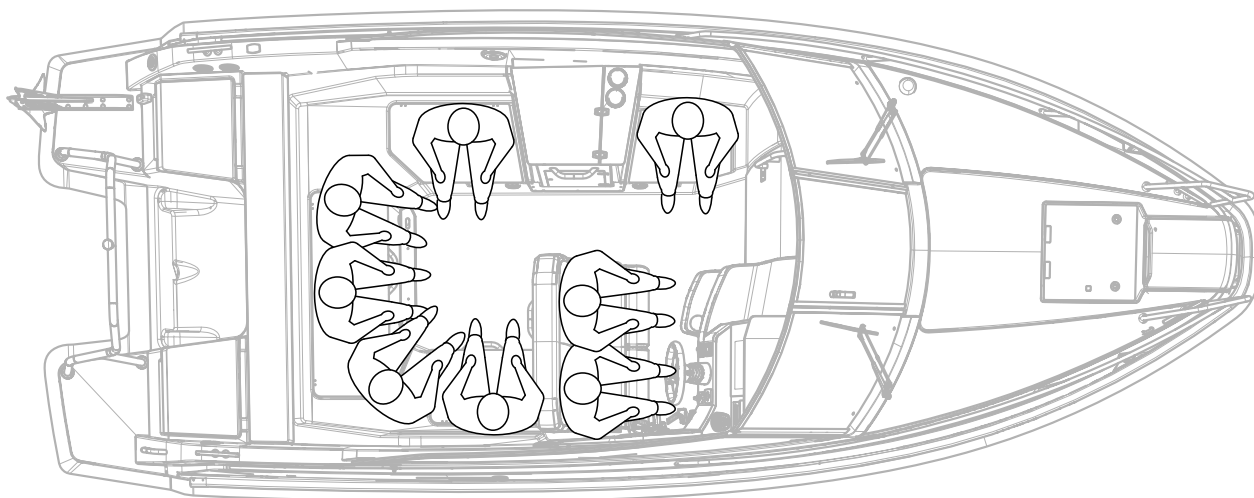
5.4. Maximum recommended number of passengers

The boat's maximum recommended number of passengers is 8 persons.

WARNING!

Do not exceed the maximum recommended number of passengers. Regardless of the number of passengers, the total weight of people and equipment must never exceed the maximum recommended load (please refer to Section 5.4, "Loading"). Always remain seated on the boat. All persons on board must remain seated while the boat is moving.

Seats of Yamarin 67 DC:



5.5. Loading

The boat's maximum permitted load is 1006 kg. This load includes the following weights:

- a) The total weight of passengers 600 kg (the default weight of an adult is assumed to be 75 kg and that of a child 37.5 kg)
- b) Liquids (fresh water, fuel, etc.) in fixed tanks 215 kg
- c) Personal equipment (e.g. recreational and camping equipment) 130 kg
- d) the weight of supplies and other stores 18 kg
- e) Liferaft 40kg

NOTE!

The maximum permitted load only includes the weights mentioned above.

WARNING!

Never exceed the maximum recommended load when loading the craft. Always load the craft carefully and distribute loads appropriately so that the boat is on an even keel. Heavy equipment should usually be placed in the storage compartment under the aft seat. If the boat is carrying the maximum number of passengers, heavy items should be placed in the bow so that the boat will not be tail-heavy. Always avoid placing heavy items high up.

5.6. Engine and propeller

The maximum recommended engine power for the boat is 250 hp (186,4 kW). Do not use the boat

with an engine that has an output higher than the kW limit given on the CE plate. Using a more powerful engine than specified on the CE plate will void the boat's warranty. Follow the dealer's instructions when choosing the propeller for your craft.

NOTE!

Do not turn the engine when the engine well's hatch is resting on the hood. The warranty does not cover damage caused by the hatch to the hood.

5.7. Prevention of water incursion and stability

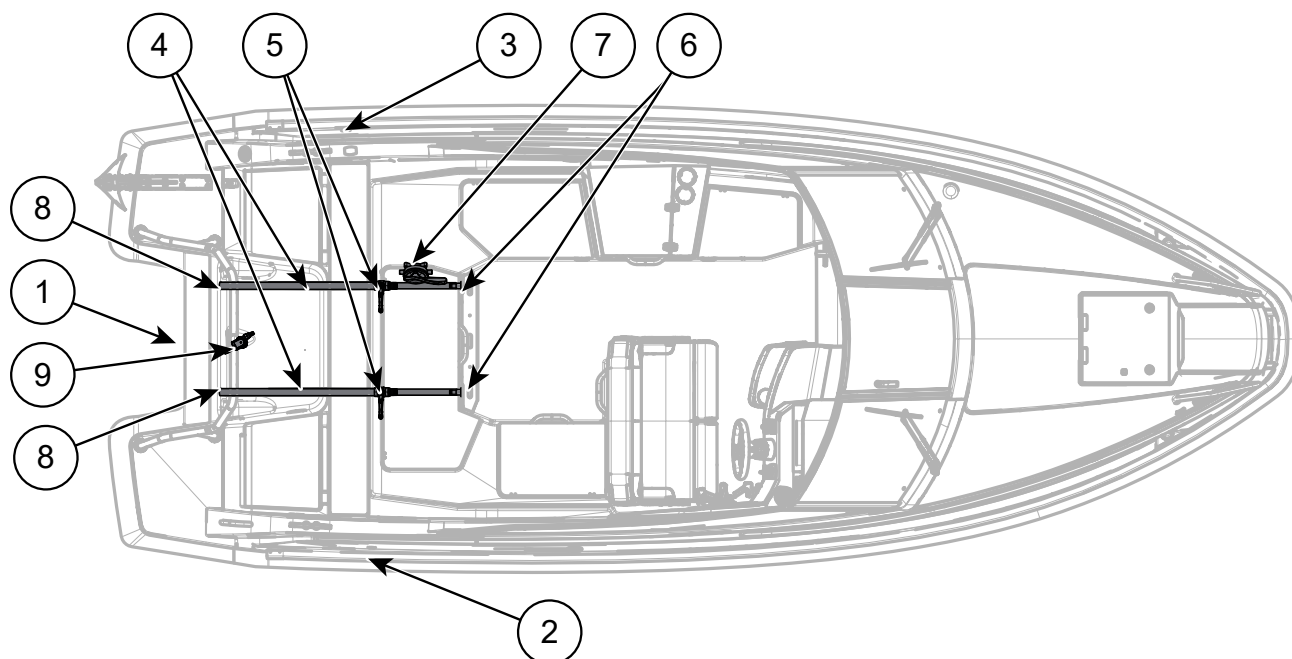
5.7.1. Hull and deck through fittings and closing valves

The boat has a rainwater draining system, which means that rainwater is drained from the un-decked part of the boat when the boat is on the water. The system also functions when the boat is out of water, provided that the bow is higher than the stern and closing valve is open. The rainwater drainage closing valve is located under the middle hatch of the aft seat. This drain valve is meant to be shut only when at maximum load to prevent potential water incursion. In other loading conditions the drain valve should remain open to let rainwater drain from the boat.

The boat is equipped with two bilge pumps, at the locations indicated in the figure below. The electric bilge pump has a capacity of c. 65 l/min and the manual pump's capacity is c. 0.5 l/pull.

The boat is equipped with high bilge water warning system. Warning system includes a float switch located in the bilge and a warning light located on the dashboard.

Image: Boat drainage system



- | | |
|--|---|
| 1. Bilge compartment drainage plug | 6. Rainwater drainage through fitting |
| 2. Automated bilge pump's drainage through fitting | 7. Manual bilge pump |
| 3. Manual bilge pump's drainage through fitting | 8. Shut-off flap |
| 4. Open deck space drainage pipe | 9. Electric bilge pump and float switch |
| 5. Rainwater drainage valve and float switch | |

The owner of the boat is responsible for ensuring that there is at least one baler or bucket on the boat and that it has been secured.

WARNING!

The bilge pump system is not intended to cope with a leak caused by running aground or other equivalent damage (hull damage).

WARNING!

Always keep the drainpipe shut when its inboard end is constantly below the waterline due to loading. The shut-off flap on the transom only prevents water from entering the boat when reversing!

NOTE!

Make sure that water can flow unobstructed through the drainpipe. Debris such as autumn leaves may obstruct the water flow, which can cause the boat to fill with water and sink. The bilge pump system does not work in conditions below 0°C.

PRECAUTION!

Refer to the image above to locate the pumps. Regularly check to ensure that there is no debris at the end of the suction hoses for each of the pumps. You can access the electrical pump by doing the following: Screw off the bottom plate (plywood plate) under the aft seat. The bilge pump is located in a case and you can just lift it up as it is not fitted with screws. Clean out the bottom layer in the bilge pump by letting it down into its case. The end of the hand pump's suction hose is situated between the fuel tank and the transom, and can be reached by screwing off the bottom plate under the aft seat.

NOTE!

There is always some condensed water in the bilge. A small amount of water may also come through the hull through fittings, especially as the boat ages. Always remember to check the bilge before you leave the boat at quay or buoy, and always before setting off. Have any leaks repaired at an authorised repair shop.

WARNING!

The boat's handling properties may become extremely dangerous if there is water in the bilge.

WARNING!

The boat's hull windows must be kept closed when the boat is moving. Also close the windows when you leave the boat at pier or buoy. In rough weather, hatches, drawers and doors should be kept shut to minimise the risk of them filling with water.

5.7.2. Stability and buoyancy

Please note that stability will be reduced by any weight added high up on the boat. Any change in the distribution of weight on board may significantly affect the stability, trim and performance of your craft. Please remember that large breaking waves always present a serious danger to stability.

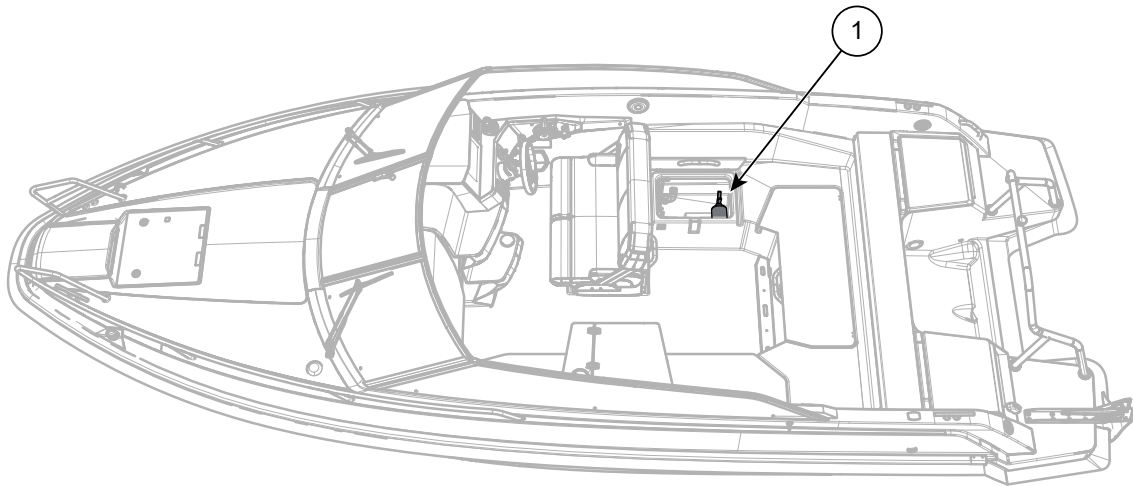
5.8. Avoiding the risk of fire or danger of explosion

5.8.1. Fire protection

The boat is equipped with a portable 2 kg fire extinguisher class 8A 68 B, which is the minimum power requirement for extinguishers. For the extinguisher to remain reliable, it should be inspected

annually by an authorised inspector. In the event that the fire extinguisher is replaced, the capacity of the new one must be at least equivalent to the old.

Image: Location of the fire extinguisher



1. Portable extinguisher

Ensure that fire-fighting equipment is readily accessible even when the boat is loaded. Inform members of the crew about the location and operation of fire-fighting equipment.

Remember:

- Never block passages to exits and hatches.
- Never hinder access to safety equipment, for instance the switches to the electric system.
- Never hinder access to fire extinguishers located in a box.
- Never leave the boat unsupervised while the cooker or heater is on.
- Never make alterations to any of the boat's systems (especially the electricity or the fuel systems) or allow an unqualified person to make alterations to any of the boat's systems.
- Never refill a fuel tank when the boat's engine is running or the cooker or heater is on.
- Never smoke while handling petrol or gas.

NOTE !

In a new boat the fire extinguisher might go out of date in a short period of time.

5.8.2. Refuelling

Shut off the engine and extinguish any cigarettes before starting to refuel. During refuelling, do not use switches or appliances that can cause a spark.

If the nozzle shuts off in the middle of refuelling, turn it roughly 90 degrees to prevent the fuel jet from hitting the chain's mounting screw.

When refuelling at a service station, do not use a plastic funnel, since it will prevent the tension between the refuelling nozzle and filling vent from being discharged.

Hint: If you are afraid of getting fuel on the teak deck during refuelling, wet the deck with water. You can also hold a rag in front of the fuel filler to prevent fuel from splashing on the deck.

Always keep a spare can of fuel on board. The anchor boxes at the stern are especially suitable for storing the spare canister. There is no risk of vaporised fuel coming into contact with battery compartments or the electrical system from either of these boxes.

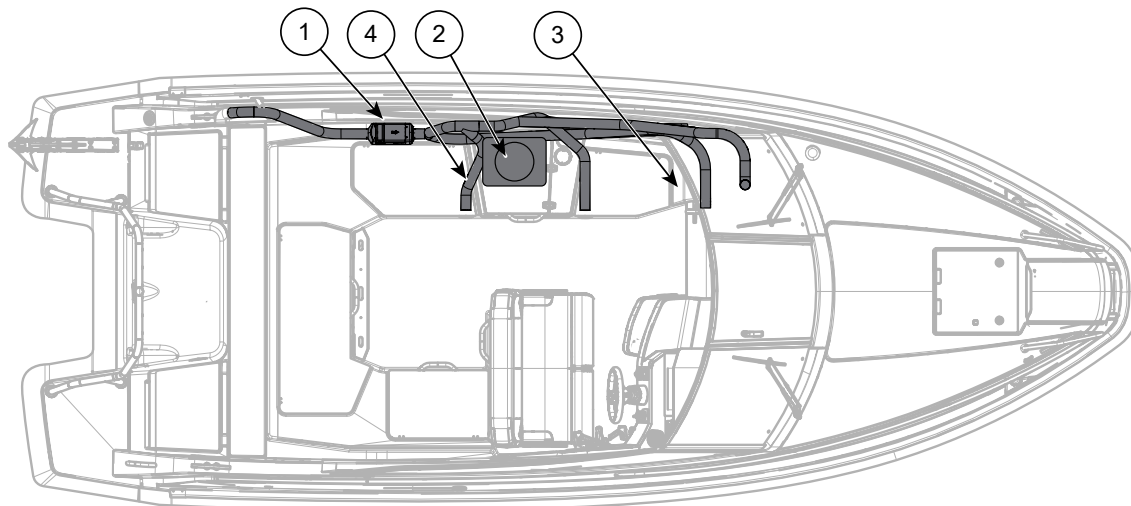
Do not stow any loose items under the aft seat that could prevent fuel flow to the engine if they shift. This is particularly important for items that may press against hoses or the fuel filter. Check the fuel hoses annually for wear, especially at through fittings.

Please note that, depending on the trim of the boat or the boat's heeling angle, it might not be possible to use the full capacity of the tanks.

WARNING!

Vaporised fuel is highly explosive. Observe these instructions and the utmost caution during refuelling. The smell of fuel always means that there is vaporised fuel on your boat.

5.9. Fuel operated systems



1. Diesel heater
2. stove
3. Heater switch
4. Diesel tank

5.9.1. Heater

The diesel heater (optional accessory) has own user manuals and operation is not described in detail in this manual. The fuel tanks for the stove and heater are located under the aft bench. Turn off the stove and heater when refuelling. Always clean any spilled fuel immediately.

NOTE!

If the boat is equipped with a heater (optional accessory), do not close the exhaust grates when the heater is switched on. This will cause the heater to overheat and engage the overheat protector.

5.9.2. Stove

The stove (optional accessory) utilizes the same diesel tank as the heater. The stoves's own manual is provided with the boat. Operation is not described in detail in this manual.

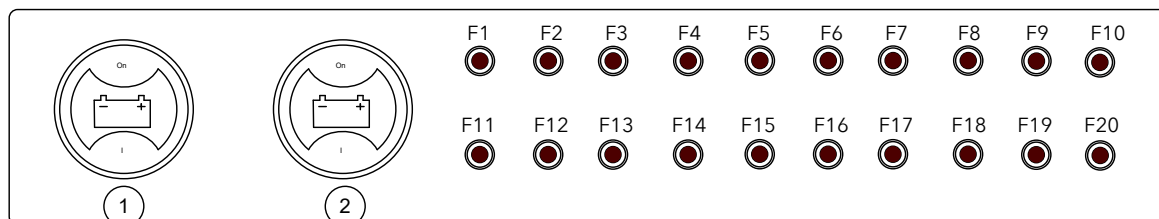
5.10. Main power switches and circuit breakers

Operation of the main power switches:

- clockwise position -> circuit switched on
- counter-clockwise position -> battery disconnected

Switch the power off from both main switches when leaving the boat, and always switch both switches on when using it.

Image: Main power switch and fuses



1	Powerswitch, Main battery		F10	Extra	10A
2	Powerswitch, Service battery		F11	Stove / extra	10A
F1	Fridge	20A	F12	Yamaha Q	10A
F2	Heater	15A	F13	Wipers	10A
F3	Bilge pump	10A	F14	Shower pump	10A
F4	Raymarine	10A	F15	Solar panel	10A
F5	Deck light / water pump	10A	F16	Cabin lights	5A
F6	Navigation lights	10A	F17	Trim tabs	20A
F7	Audio	25A	F18	Power steering	40A
F8	Cocpit DC outlet	10A	F19	Toilet	25A
F9	NMEA	3A	F20	Cabin	10A

Electric circuit fuses are located next to the main power switch. Fuse sizes are also presented in the electrical diagram. Do not change the circuit breaker amperages or install any components that exceed the nominal amperage of the circuit in the electric system.

NOTE!

Remember also to switch off the main power switch before making any electrical installations.

NOTE!

Never switch off the main switch while the engine is running! It can cause serious damage to the engine's electric system.

NOTE!

Do not perform electric installations (such as changing lamps) when the power is on. Leave any larger installations to professionals.

6. Proper use – other recommendations and guidelines

If this is your first boat or a boat type new to you, take someone with experience of a similar boat with you the first few times you operate it.

6.1. Controls

You will quickly learn how to control your boat, but changing weather conditions, such as wind and waves, will always present new challenges for the driver. The remote control combines the functions of throttle, forward and reverse gears, and the adjusting of the engine trim angle. The boat is equipped with hydraulic steering.

6.2. Emergency switch

The emergency switch is a device with one end attached to the switch under the remote control and the other end for instance to your lifejacket. The emergency switch automatically switches off the engine when detached from the remote control. It is very important that the boat will come to a halt in the event that the driver, for whatever reason, loses his/her balance and is flung from the helm.

NOTE!

Never take control of the boat without having attached the emergency switch to yourself. If you attach the emergency switch to your arm, do not steer the boat with that arm, because the chain may be tangled in the steering wheel during tight turns.

NOTE!

The engine will not start if the emergency switch is not attached to the switch on the remote control.

DANGER!

A rotating propeller presents a life-threatening danger to a swimmer or a person who has fallen overboard. Always use the emergency switch to turn off the engine when a swimmer or water skier is about to re-enter the boat from the water.

6.3. Gearshift and throttle

The engine is put into gear by pushing the button on the gear/throttle handle upwards with your fingers and by pushing or pulling the gear/throttle lever forward or backward, depending on the direction in which you are planning to go. When the engine is in gear, you can adjust the boat's speed using the same gear/throttle lever.

When the boat is travelling forward slowly, you can use the reverse gear for braking when approaching the dock, for instance. Shifting into reverse must not be done if the boat is travelling at higher speeds, because it will damage the engine.

6.4. Adjusting of trim angle

These are the main rules when adjusting the trim angle:

- When bringing the boat to plane, keep the 'bow down' position
- When the boat is planing and seas are calm, keep lifting the bow until you can feel that both the engine and the boat move very easily. In calm waters, the engine should normally be trimmed up at least 3 scale marks on the trim indicator on the revolution counter. If the engine is trimmed up too much, the speed of the boat will be reduced. If the boat is trimmed too low, the boat will run slowly and the engine will run heavily. To achieve good fuel economy, it is important to drive the boat with the right engine trim angle.
- In heavy head seas, lower the bow to allow it to slice through the waves better, thus providing a smoother ride.

- In following seas, raise the bow to avoid 'diving' into the waves.

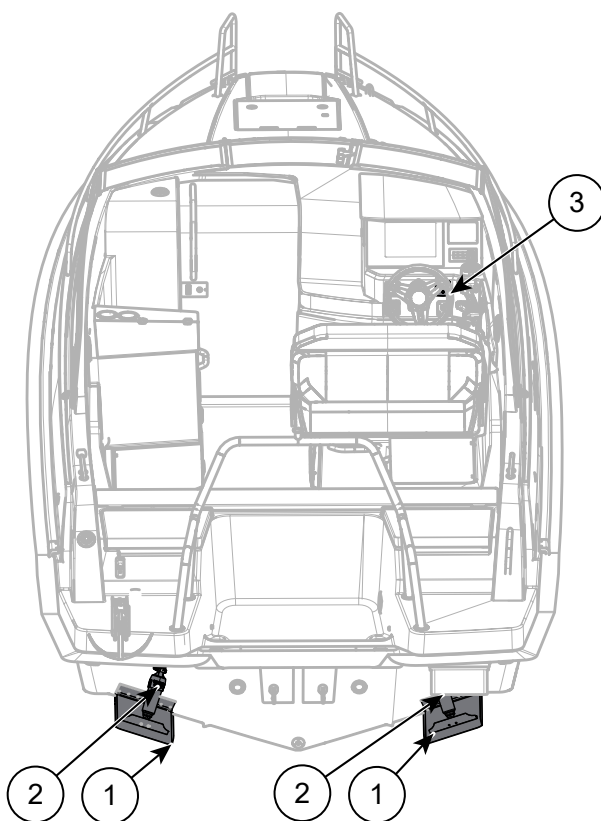
WARNING!

Do not drive the boat at high speeds with the engine trimmed up (bow up), as there is a risk of sudden heeling when the propeller hits the water again after a flight in heavy waves. Likewise, do not drive at high speed with the engine completely trimmed down (bow down) since this can cause the boat to pitch unexpectedly when the bow hits the water. The boat may become unstable when turning if the bow is too low.

The trim tabs can be used to adjust the boat's heel to make the boat run in an upright position in crosswinds or with an unbalanced load.

All planing boats lean into the wind, but the heel can be adjusted by lowering the windward trim tab. This makes the boat's sharp bow cut the waves, resulting in a much smoother ride. If you want to further reduce the waves' effect on the boat, you should trim the windward side up to lift it above the waves to an extent.

Image: Trim system



1. Trim tab
2. Trim cylinder
3. Trim switches

WARNING!

Adjust the trim tabs carefully at high speeds – adjusting them radically changes the way the boat handles. Do not drive with the bow too low, since the boat may turn unexpectedly.

WARNING!

Waves reduce manoeuvrability and make the boat heel. Accordingly, reduce speed when encountering heavier seas.

6.5. Starting the engine

1. Switch the power on using the main power switch.
2. Lower the engine to the driving position by pressing the Power Trim button on the gear/ throttle handle.
3. Check that the gear/throttle handle is in the neutral position and that the emergency switch is attached to the bottom of the remote control.
4. Switch on the current, using the start key, without starting the engine and wait a few seconds for the warning lights to light up.
5. Start the engine by turning the ignition key clockwise until the engine starts. If everything is in order, the engine should start within 1-2 seconds. If the engine does not start, you should not try to start it for more than 10 seconds at a time.
6. After the engine has started, let it idle for a few minutes before setting off. (Please refer to the engine manual!)

For more detailed information, please refer to the engine manual.

6.6. Driving

It is easy to drive when the weather is fine and the sea is calm. However, always remember to keep an adequate lookout. In order to maintain the best possible visibility from the driver's position, you should do this:

- Ensure that passengers do not restrict your visibility.
- Do not drive near planing speed for long periods, as the bow up comes up and reduces visibility.
- When visibility is poor, look over the windshield.
- remember to also keep a lookout behind you, particularly on shipping lanes Use navigation lights in darkness.

Always adjust your speed to prevailing conditions and the environment. Take into account the following:

- waves (also consult the passengers on what is a comfortable speed);
- your own bow wake (greatest at planing speed, smallest at speeds under 5 knots);
- visibility (islands, fog, rain, driving against the sun);
- familiarity with the route (time required for navigation);
- width of the route (other traffic, noise and bow wake near shore).
- Make sure to always maintain a sufficient distance to avoid collision. The distance must be sufficient to stop the boat or to take evasive action.

When running at low speed, a planing boat's directional stability is poorer than at higher speeds. So be careful in narrow passages and, particularly, when meeting other boats.

You must learn the rules of traffic on sea lanes and follow the international regulations on how to avoid collisions at sea, COLREG. Navigate with care and use new or updated nautical charts.

The running position of the boat greatly affects its handling characteristics and fuel consumption and visibility from the driver's position. You can affect the running position by:

- placing the load properly – the general rule being that you should place as little weight in the bow as possible; and
- adjusting the trim angle.

The combination of the right running position with the right speed also makes driving in rough seas safer and more comfortable.

WARNING!

A high speed and sudden manoeuvring in rough seas can lead to loss of control over the boat and large heeling angles.

NOTE!

The boat is not designed to jump waves. The warranty does not cover damage caused by flight. It is possible to check whether the engine has been airborne from the engine history on the repair shop's computer.

6.7. Approaching and leaving the dock

Practise boat manoeuvring skills where there is ample space to learn how to approach a dock before entering a crowded marina.

A very gentle application of throttle does not generate sufficient steering power. Sharp but short throttle applications enable efficient steering movements when approaching the dock.

Ensure that everyone on board who does not have to stand up is seated when you are approaching the dock. Sudden steering movements may cause the boat to heel and injure somebody.

Before docking, prepare the mooring lines at stern and bow. Approach the dock bow first at an acute angle. Just before touching the dock, steer into it and shift into reverse. Apply throttle quickly and sharply. The boat will stop and turn parallel to the dock. If possible, make the approach into the wind or current, whichever is the strongest. This makes departing easier, as the wind or current will push the bow out from the dock. The easiest way to depart is to first push the stern as far away from the dock as possible, and then slowly reverse away from the dock into open water.

The propeller is designed to have the best grip in forward gear. Therefore, propeller performance is weaker in reverse. The steering response is also not as good in reverse as in forward gear.

WARNING!

The boat is fast. If you are planing, it takes time to come to a stop. Slow down in time before anchoring, beaching or docking. Learn to estimate the distance the boat needs to stop. Remember that steering control is poor if there is no traction.

WARNING!

Do not try to stop the boat with your hands, and do not put your arm or foot between the boat and the dock, the shore or another vessel! Practise beaching and docking under favourable conditions! Use moderate but firm engine power!

NOTE!

When securing your boat, take into consideration the possibility of changes in wind direction, rising or sinking of the water level, bow wakes, etc. You can get more information from your insurance company, for example.

6.8. Using the canopy

The canopy is designed to withstand a maximum speed of 30 knots at sea, and 50 km/h in road transport. All press studs must be properly fastened when using the canopy. The canopy's design allows raising just the front part. We recommend that you remove the sides and back of the canopy

to make it fit into the canopy box more easily. Then, fold the upper parts of the sides entirely on top of the roof, so that no fabric remains where the corners of the canopy supports are. Finally, roll up the roof part along with the sides folded on top of it, and lower the canopy into the canopy box.

NOTE!

The boat should not be driven in rain with the canopy down. The equipment in the open deck space is not water-tight and must be protected from the rain.

NOTE!

The windshield and canopy do not necessarily form a watertight seal.

Water may enter the boat between the canopy and windshield when the canopy is up

6.9. Windshield door

The windshield door must always be kept shut and locked while driving. The door has not been designed to be used as a railing when getting in or out of the boat.

WARNING!

The door must be kept closed in rough seas or strong or gusty winds, since it may slam shut. The door is heavy and may cause injury if it strikes someone when slamming shut.

WARNING!

Large waves or gusts of wind may slam the door shut also when the boat is stationary. It is thus recommended to always keep the door closed when the passage through the bow deck is not being used.

6.10. Deck hatch

The deck hatch must always be kept shut and locked while driving.

NOTE!

Even though the deck hatch is strong enough to stand on, debris from shoes could scratch the hatch surface. Avoid stepping on the hatch cover.

6.11. Stairs, sharp windshield corner and cabin door

Great care must be taken when using the stairs, particularly when the cabin door is open.

NOTE!

Bolt the cabin door when moving around the boat, since it may slam shut.

WARNING!

Take care not to strike your knee on the sharp upper corner of the right-hand windshield when mounting the stairs. When descending, the same corner may hit your shin.

WARNING!

It is not recommended that children do not use the hatch, as their fingers or toes could get caught in it.

6.12. Man overboard

It is always a serious situation when someone falls overboard. Rescue procedures should be practised in advance during good weather, because it is too late for practice when someone has actually fallen into the water.

The boat is equipped with the fixed swim ladder that can be lowered down from the water. The swim ladder extends to the full length by lowering the ladder and releasing the ribbon.

It is always easiest to help a person climb back on board at the stern of the boat. A rope loop attached to the boat helps lifting. The boat's swim ladder extends 30 cm into the water. If a child has fallen overboard, an adult carrying an extra life-saving device or a fender must always jump in after the child; however, someone must always remain on board the boat.

It is very important to maintain visual and verbal contact with a person that has fallen overboard.

DANGER!

A rotating propeller presents a life-threatening danger to a swimmer or a person who has fallen overboard. Always use the emergency switch to turn off the engine when a swimmer or water skier is about to re-enter the boat from the water.

6.13. Securing loose equipment

Stow all heavy equipment, such as anchors, and secure them firmly before setting off.

6.14. Respect for the environment

Conservation of the environment is a matter of honour for every boater. Therefore, you should avoid:

- fuel and oil leaks;
- emptying rubbish and waste into the water or on the shore;
- letting detergents or solvents get into the water;
- loud noise both on the water and at the marina; and
- producing an unnecessarily high bow wake, especially in narrow passages and shallow waters.

Service the engine well and run it at the most economical speed, which will also keep exhaust emissions low.

Please also consider other local environmental legislation and regulations.

Please make sure to familiarise yourself with the International Convention for the Prevention of Pollution From Ships (MARPOL) and respect it to the greatest possible extent.

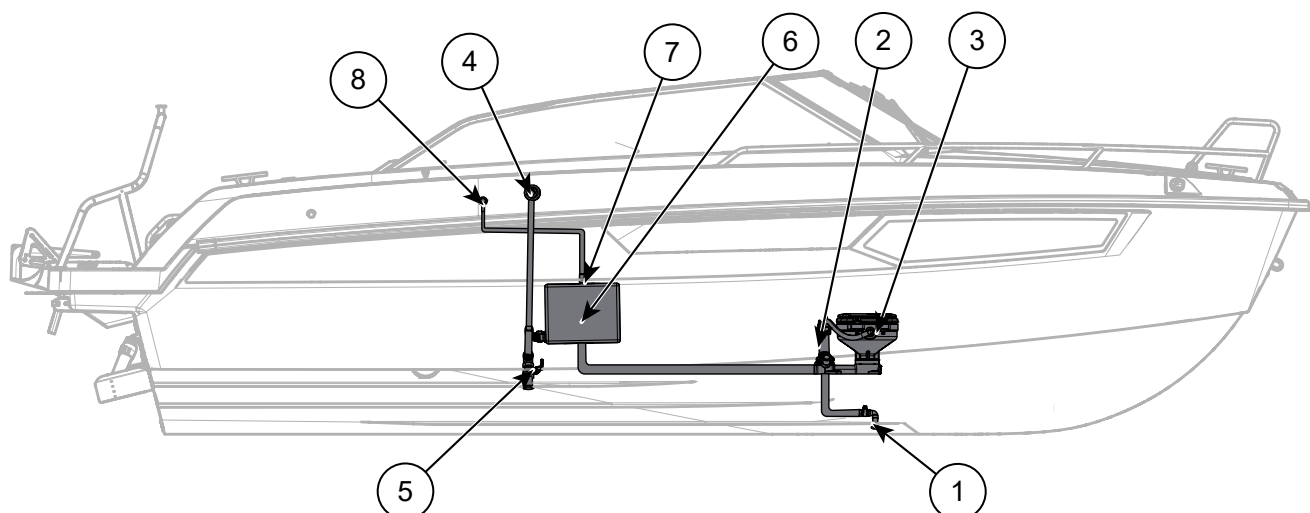
6.15. Toilet and septic tank use

The toilet is flushed with sea water. The flushing waste is conveyed into the septic tank. The flushing water shut-off valve is located in the cabin under the left side bench. The valve can be kept open during normal use. We recommend closing the valve in rough seas to avoid siphonage.

The septic tank (= toilet waste water tank) has a capacity of 28 l and is located under the right-hand (SB) bench in the open deck space. The vacuum drain's deck vent is compliant with standard ISO

8099 and is located next to the aft bollard, on the right-hand side of the boat.

Image: Septic system



- | | |
|--------------------------------------|---|
| 1. Toilet flushing water intake hose | 5. Septic tank sea drainage valve |
| 2. Toilet flushing pump | 6. Septic tank |
| 3. Toilet | 7. Septic tank sensor |
| 4. Septic tank vacuum drain hose | 8. Septic tank drainage through fitting |

Drain the septic tank when leaving port by using the port's drainage equipment.

The septic tank's sea drainage valve is located in the cabin under the right side bench. In normal conditions, the sea drainage valve must be kept closed. Please find out which regulations are in force where you are using the boat in relation to the discharge of grey water. The sea drainage valve can be sealed.

The septic tank and its hoses, etc. can be cleaned with mild alkaline detergent. Glycol can be used as an anti-freeze agent. The system must nevertheless be kept as empty as possible while the boat is stored in freezing conditions.

6.16. Anchoring and mooring the boat

Always moor your boat carefully, even in sheltered places, because conditions can change rapidly. Mooring lines should be equipped with absorbers to dampen any jolts. Please refer to the section on towing for the location of bollards. To prevent abrasion, use fenders that are large enough.

The forward maximum load of the bow bollards is at least 23 kN, or c. 2,300 kg. The backward maximum load of the stern bollards is at least 16.0 kN, or c. 1,600 kg.

The minimum anchor weight for the boat is 10 kg. Drop anchor far enough from shore. A reasonable grip is attained if the anchor line length is 4–5 times the water depth.

WARNING!

Do not try to stop the boat with your hands, and do not put your arm or foot between the boat and the dock, the shore or another vessel!

NOTE!

When securing your boat, take into consideration the possibility of changes in wind direction, rising or sinking of the water level, bow wakes, etc. You can get more information from your insurance company, for example.

6.17. Towing

When towing another boat, use a floating line that is strong enough for the task. Begin towing slowly, avoid jerks, and do not overload the engine.

The owner of the boat should consider the measures necessary for securing the boat's towrope.

If you are towing, or if your boat has to be towed, attach the towline to the bow or stern bollards as per the following image.

WARNING!

When towing, the towline is under high tension. If it should break, the end that snaps off may lash back fast enough to cause serious injury or death. Always use a thick enough line and keep to one side of the towline.

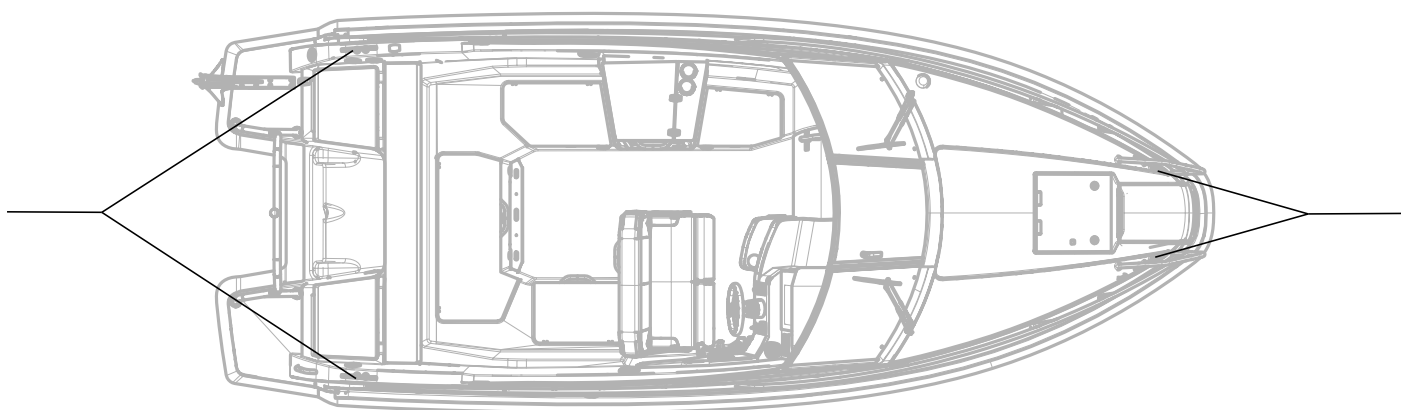
NOTE!

When towing another boat or being towed, always drive at low speed. If the boat has a displacement hull, never exceed hull speed while towing.

NOTE!

The towline should always be fastened so that it can be unfastened under load.

Attaching the towline to the bollards:



6.18. Trailer transport

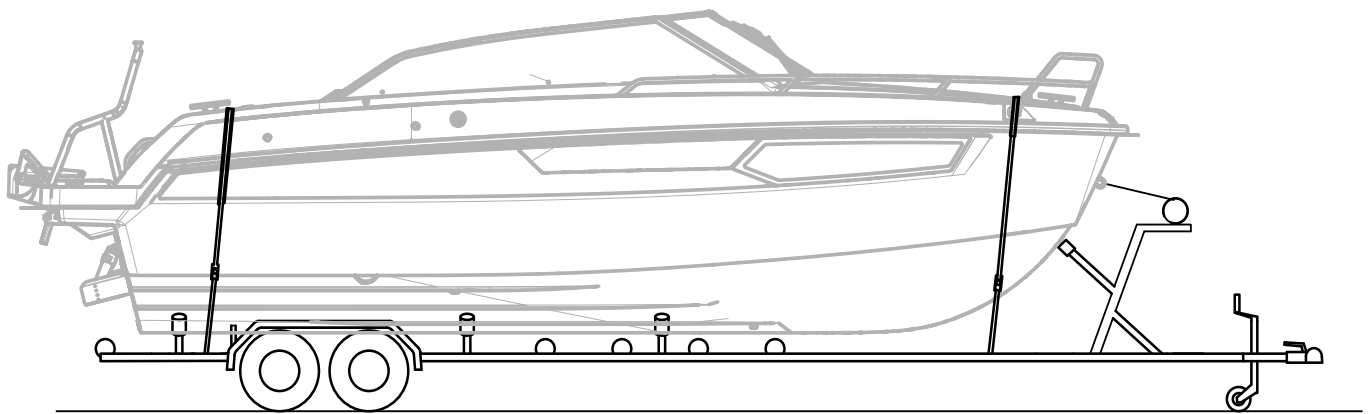
Weight data for trailer transport may be found in the technical specifications. The trailer's keel supports should carry most of the weight of the boat. Adjust the side supports so that the boat will not rock sideways. For more information, please turn to your dealer.

Clean the supports of sand and dirt so that they will not scratch the bottom of the boat. Double-check that the trailer is securely coupled to the trailer tow hitch!

The place for lifting the boat out of the water should be sheltered, and the ramp should extend deep enough into the water. Reverse the trailer so deep into the water that the rearmost keel support is just above the water. Drive the boat carefully towards the rearmost keel support and fasten the winch cable to the trailer hook.

Reel the boat up onto the trailer, taking care that the boat remains straight on the trailer's centre line. Remember to trim up the engine before reeling the boat onto the trailer so that it will not hit the bottom.

Image: Securing the boat to the trailer



Tie the boat properly before beginning transport. The sling ropes at the bow should be directed down and back, and the sling ropes at stern should be directed down and front. Do not leave any loose equipment or extra load on the boat when it is being transported. Remove the seat cushions and close all hatches properly.

The engine should be in the driving position during transport. However, ensure that there remains adequate clearance. If the clearance is not sufficient in this position, you can transport the engine raised. In this case, the engine must be supported with a suitable support to protect the transom. If the boat is kept on the trailer between transports, you must loosen the sling ropes for the duration and tighten them before the next transport.

NOTE!

The trailer should be slightly front-weighted. Appropriate nose weight is 4 % of the total mass of the trailer, but not less than 25 kg. Nose weight must not exceed the maximum vertical load on tow ball. Maximum load is defined by car manufacturer of the towing vehicle. Make sure that the boat is fastened tight enough to the trailer and that the weight of the boat is divided equally between side supports. If the boat swings against a side support during transport, it may sustain hull damage.

When letting the boat down from the trailer, remember to fasten the bow rope to the boat beforehand so that you can release the cable from the trailer hook as soon as the boat is in the water. Be careful with the winch handle!

6.19. Docking

The storage cradle should be sufficiently steady and suitable for this particular boat and engine combination. A sturdy plank (2x4"), should be placed between the "V" trestles to support the keel and to bear most of the weight of the boat. The boat must not rest on the side supports. The side supports should not be placed touching the bottom chine, and point loads should be avoided. The supporting structures should be strong, particularly near the transom, to support the added weight of the engine.

Only use reputable lifting companies or boat yards with sufficient lifting capacity. In addition to the boat's tare weight (please refer to the technical specification), also take into consideration accessories and other possible loads in the boat.

When the boat is being lifted, the lines must be placed under the boat and the boat must remain horizontal during lifting.

NOTE!

Do not lift the boat by its bollards.

DANGER!

Never stand under a boat that is suspended from a crane.

7. Servicing and maintenance

Keep your boat and its equipment clean and tidy. This increases comfort and safety on board, and also the boat's resale value.

Familiarise yourself with the service procedures shown in the engine manual (see annex). Have your engine serviced according to the instructions in the manual.

7.1. Washing and waxing the boat

Normally it is sufficient to just wash and wax the deck and sides. Special boat cleaning agents are most suitable for the purpose. Do not use strong solvents; they can cause glossy reinforced plastic surfaces to fade. Mildly abrasive polishes can be used to remove chafes and embedded dirt from the deck. Fibre glass surfaces can be washed with a pressure washer.

Useful tip: When the boat has been washed with tap water, a thin chalk-like layer of lime and minerals will remain on the boat's surface after it has dried. The problem can be eliminated by adding a few drops of pine oil soap into a bucket of rinsing water, which will soften it.

Useful tip: Water and lime stains on stainless steel rails and handles disappear when you apply some Lemon Pled furniture spray. Your railings will shine like the day they came off the assembly line.

Useful tip: If the boat's ropes smell bad after the season, immerse them for a couple of hours in a bucket of water with a bottle of apple vinegar and a splash of fabric conditioner added. Allow the lines to dry properly, and they will be as good as new.

7.2. Care instructions for seat cushions

Always use the canopy or harbour cover when it is raining to protect the seat cushions. Although the seat cushions are made of water-resistant material, water can get in through their seams. It is advisable to protect the cushions by spraying them with Sunbrella spray. If the cushions remain damp for any length of time, they may get mouldy and be ruined. If the mattresses get wet, the fabric can be removed by unzipping the mattress and dried in the sun, at room temperature or in a sauna (50°C). The warranty does not cover cushions spoilt by rain or damp.

NOTE!

To keep the boat's seat cushions in good condition over the winter, they should be stored in a dry, well-ventilated space.

NOTE!

Wet cushions should not be placed in storage, because they gather mould easily.

The press studs of the seat cushions should be sprayed with silicon spray every now and then, otherwise they may become so tight that the fabric will tear when trying to open them. The warranty does not cover ripped seat cushions. Use very little silicon spray at a time in order not to stain the cushions.

7.3. Care instructions for the canopy

Store the canopy over winter in a dry and well-ventilated place. The warranty does not cover torn or mouldy canopies.

7.4. Care instructions for the windshield

The boat's windshield is made of tempered glass and can be cleaned with ordinary glass cleaners. Useful tip: When wiping the boat's windshield dry after cleaning, avoid using circular motions. This can leave circular smudges on the windshield that become visible in sunlight, impeding visibility. Wipe off any streaks with dry newspaper or cotton cloth using first horizontal, then vertical motions. Repeat this a few times and you'll bring the windshield to a brilliant shine.

7.5. Care instructions for the stainless steel components

To keep the boat's stainless steel parts, such as rails, handles and bollards, shining as good as new, you should keep the parts clean and waxed. The edges of the mounting flanges of the rails should also be cleaned. Any dirt that remains under the edge of the flange will begin to look like rust. In regular use (i.e. no damage), the parts should be cleaned and waxed at least twice every summer. Rail maintenance should also be performed when the boat is put into winter storage.

7.6. Electronic remote control device maintenance instructions

If there is a problem in the functioning of the electronic remote control device, it must be serviced at an authorised Yamaha workshop.

7.7. Care instructions for the steering system

The hydraulic steering does not require maintenance under normal circumstances. If the steering starts to feel loose, there is a leak somewhere in the system. Leaks must be repaired immediately!

WARNING!

A hydraulic steering system that has a leak or trapped air in the hoses is extremely dangerous.

7.8. Care instructions for electrical components

Electrical components like main switches, other switches and couplings do not normally need to be serviced if the boat is stored in a dry and well-ventilated place for the winter. If, however, you wish to protect electrical components against oxidation, the best way to do it is by spraying them every now and then with a moisture repellent antioxidant.

7.9. Minor superficial repairs

You can repair minor surface damage to the boat's hull or deck yourself. However, achieving a neat, unnoticeable repair requires a considerable amount of skill:

1. Protect the area around the damage with tape.
2. Bevel the edges of the damaged area and clean with acetone.
3. If the damage is deeper than 2 mm, it is advisable to smooth it with an appropriate polyfiller before painting.

4. Mix topcoat with 1.5-2% hardener.
5. Fill the repair with more topcoat than needed, so that its surface remains slightly proud of the surrounding area.
6. Carefully put tape over the repair.
7. After the topcoat has hardened, remove the tape and sand the repair using 600 and 1200 paper applying water.
8. buff using abrasive paste and wax

One point to consider is that a paint called gelcoat has been used in manufacturing the boat, but the surface is always repaired with a paint called topcoat. Gelcoat paint does not harden without a mould surface, whereas paraffin has been added to topcoat to allow it to harden.

NOTE!

Some post-delivery installations and alteration work may cause damage to the structure of the boat or impair safety if not performed correctly.

Please contact the dealer if you are planning any modifications.

7.10. Winter storage

Preparing your boat for winter storage is an annual routine. Have your boat lifted in good time before the water freezes. Your boat is not designed for use in ice and it is not meant to be used in temperatures below zero (for example, the rain water draining system will freeze up). It is advisable to perform all maintenance, repair and inspection procedures in connection with placing the boat in winter storage.

Familiarise yourself with the service procedures shown in the engine manual. We recommend that you leave them to an authorised service agent. Do not forget to service the remote control and steering system. Make sure to perform their maintenance according to their separate instructions and manuals.

7.10.1. Measures before winter storage

Wash the bottom of the boat immediately after the boat has been lifted. Algae and slime will come off easier if they are not left to dry. Empty the engine of its cooling water according to the manual. Give the engine and other equipment their winter servicing, following their separate manuals. If your boat is stored outside or in a humid place over the winter, empty it of textiles and other equipment that may corrode or become mouldy in damp conditions. Wash the ropes in fresh water. Replace any worn ropes. Leave bushing valves open. Remove the drain plug for the winter.

Check the condition of the hull and rub down any scrapes to let possible moisture inside the laminate dry. Repair any damage in the spring before launching the boat.

Always cover your boat so that snow cannot gather inside. Always make sure, however, that it is adequately ventilated. A winter storage cover is available as an optional accessory for your boat.

7.10.2. Measures before launching the boat

Repair any damage to the gelcoat surface according to section 7.9. "Minor superficial repairs"

In sea areas, antifouling paint should be used to prevent the hull from becoming covered with vegetation. Fouling of the bottom and especially the propeller increases fuel consumption remarkably. However, if the boat is anchored at the inlet of a stream or in a land-locked lake, or if it is lifted out of the water at least once every two weeks, it is normally not necessary to use antifouling paint.

Carefully follow the paint manufacturer's instructions when applying the paint. When sanding old antifouling paint, remember that the dust is toxic.

Antifouling paint is not necessary in fresh water (lake areas). We nevertheless recommend using an epoxy primer if the boat will be in the water for several months each year. Fresh water, and warm fresh water in particular, is more readily absorbed by the laminate than sea water.

NOTE!

Do not paint over the zinc anodes or the piston rods of hydraulic trim tabs. Do not apply paints containing copper on aluminium parts, and remember to follow the paint manufacturer's instructions.

Useful tip: Do not throw away a used paint brush. A dried and hardened paint brush that has been used for antifouling paint can be reused if you first soak it for a couple of hours in a mix of 2 litres of hot water, 100 ml of vinegar, and 50 ml of baking powder.

Perform the necessary service procedures required for the engine according to the engine manual. Check the functioning of electric equipment and remove any oxidation from fuse connectors etc.

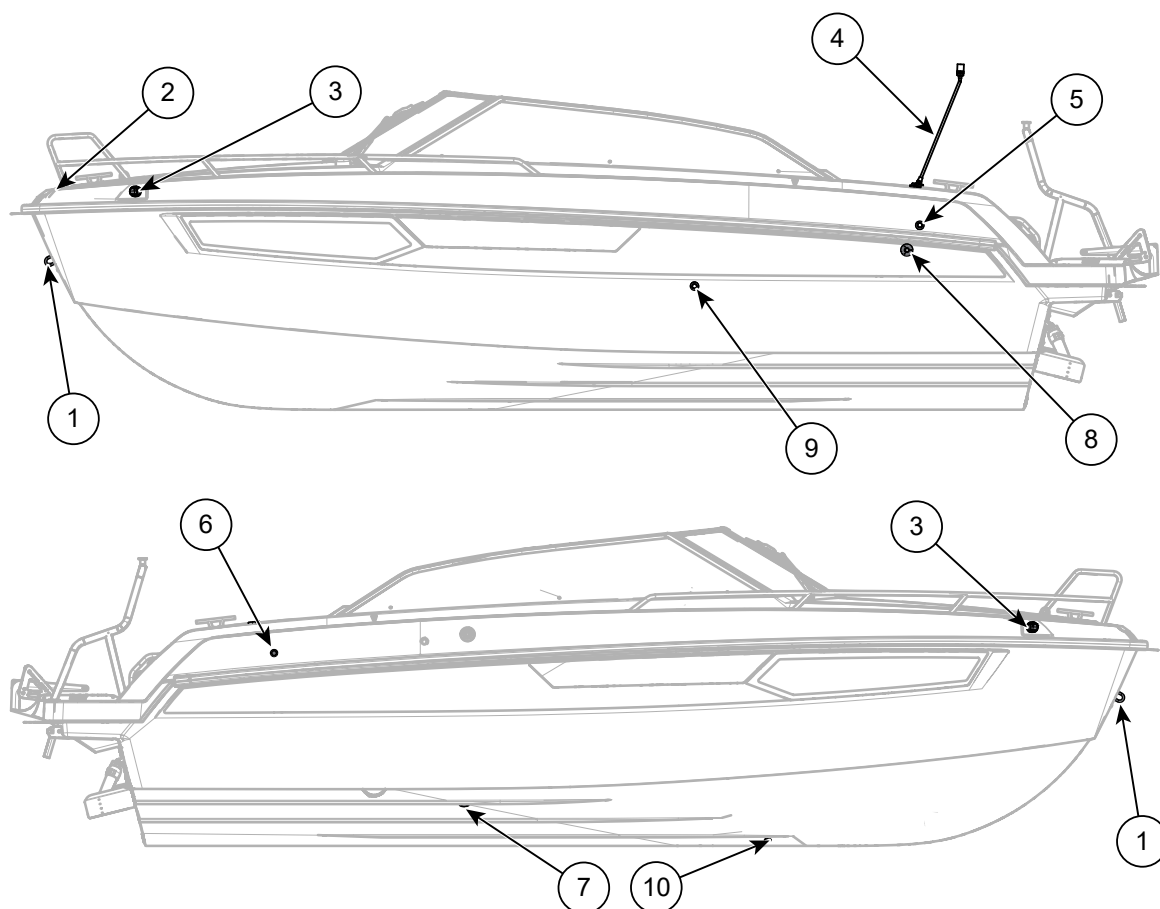
Remember that petrol goes stale over time, and you must always start the engine with fresh petrol in the spring.

When the boat has been launched you should open all hull bushings and check to ensure that there are no leaking hoses or connectors. The locations of bushings (through fittings) are shown in section 5. Bring your safety equipment back on board before setting out.

8. Lay-out

8.1. General lay-out

Image: General lay-out from the side



- | | |
|------------------------------|-------------------------------------|
| 1. Trailer hook | 6. Automatic bilge pump fitting |
| 2. Locking eyelet | 7. Septic tank sea drainage fitting |
| 3. Navigational lights | 8. Diesel heater exhaust pipe |
| 4. Light mast | 9. Sink drainage fitting |
| 5. Manual bilge pump fitting | 10. Toilet flushing water intake |

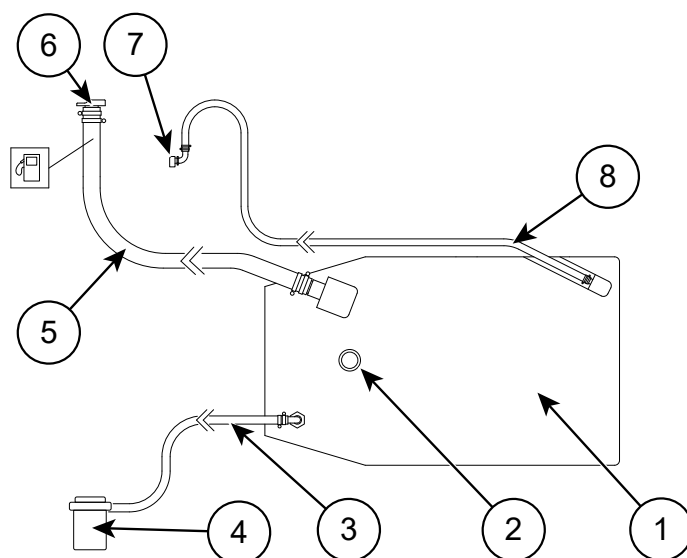
8.2. Fuel system

The boat has a built-in fuel tank. A fuel filter is installed in the fuel line, also functioning as a water separator. The filter must be changed at least once a year. When a new or removed filter has been mounted, the fuel line must be filled with a ball pump before starting the engine.


NOTE!

The condition of the fuel hoses must be inspected annually, and every effort should be made to prevent damage to them. Damaged fuel hoses must be replaced. If you replace fuel hoses, make sure the new hoses have an ISO 7840 label.

Image: Fuel system



- | | |
|---------------------|------------------------------|
| 1. Fuel tank | 5. Fuel tank filling hose |
| 2. Fuel tank sensor | 6. Fuel tank filling fitting |
| 3. Fuel filter hose | 7. Fuel tank breather vent |
| 4. Fuel filter | |

The location of the fuel tank refill vent is marked on the deck by the  symbol.

8.3. Steering system

The boat is equipped with hydraulic steering. With hydraulic steering, the steering wheel's position changes constantly, which is why the boat is equipped with a symmetrical steering wheel.

The hydraulic steering does not require maintenance under normal circumstances. If the steering starts to feel loose, there is a leak somewhere in the system. Leaks must be repaired immediately!

NOTE!

If you replace any component in the steering system, please note that all components must conform to the ISO 10592 standard and carry the CE mark.

WARNING!

A hydraulic steering system that has a leak or trapped air in the hoses is extremely dangerous.

8.4. Electrical system

The electrical system contains the following main components:

1. Starter battery (not standard equipment)
2. Wire harness
3. 2 pcs main switches
4. Battery compartment fuse panel
5. 6 pcs switches
6. 2 pcs 12 V power outlets
7. Navigation lights
8. Deck lights
9. Windshield wiper (right and left sides)

10. Fresh water pump
11. Cabin lights + switches
12. Refrigerator
13. Stove
14. Trims

In addition, the engine is an essential part of the boat's electrical system; it both generates and consumes power.

If you connect or disconnect the battery, take care not to touch both battery terminals with a metal object at the same time.

Only recharge the batteries with the boat's battery charger or one with equivalent power. Charging the battery with excessive current creates an explosion risk.

Do not alter the onboard electric system or relevant drawings; alterations and maintenance work has to be carried out by a professional.



**Yamarin 67 Day Cruiser
Käyttäjän käsikirja**

ESIPUHE

Arvoisa Yamarin veneen omistaja! Kiitämme Teitä siitä, että valitsitte Yamarinin!

Käyttöohjekirja perehdyttää Sinut uuden veneesi ominaisuuksiin sekä auttaa sen hoidossa ja huollossa.

Se on laadittu avuksesi, jotta opit käsittelemään venettäsi turvallisesti ja välttämään mahdolliset ongelmat. Tarkista, että olet venetoimituksen yhteydessä saanut haltuusi kaikkien veneeseesi asennettujen laitteiden ohjekirjat. Täydennä käsikirjaa myöhemmin hankkimiesi laitteiden tiedoilla ja ohjekirjoilla. Omille muistiinpanoillesi on tilaa käsikirjan lopussa. Lue tämä käsikirja huolellisesti sekä tutustu tarkoin itse veneesi yksityiskohtiin ennen kuin lähdet vesille.

Mikäli tämä on ensimmäinen veneesi tai olet vaihtanut Sinulle uuteen venetyyppiin, varmistu siitä, että Sinulla on riittävä tuntuma ja kokemus sen käsittelyssä. Omankin mukavuutesi ja turvallisuutesi vuoksi tämä on todella tärkeää. Vasta silloin olet valmis vastaanottamaan vastuun veneesi ”kapteenina”. Jälleenmyyjä, venekerhot, Suomen Veneilyliitto tai Suomen Navigaatioliitto antavat mielellään tietoja paikallisista veneilykouluista tai suosittelevat päteviä opettajia.

Omistajan käsikirja ei ole yksityiskohtainen huolto- tai vianetsintäopas. Ongelmatapauksissa ottaa yhteyttä veneen jälleenmyyjään. Käyttäkää aina päteviä ja koulutettuja henkilöitä huoltoon, korjauksiin ja muutostöihin. Muutokset, jotka voivat vaikuttaa veneen turvallisuusominaisuuksiin, tulee arvioida, toteuttaa ja dokumentoida pätevien henkilöiden toimesta. Veneen valmistaja ei ole vastuussa muutoksista, joita se ei ole hyväksynyt.

Pidä veneesi aina hyvässä kunnossa ja ota huomioon, että se vaatii kunnossapitoa ja huoltoa. Mikä tahansa vene – riippumatta sen vahvuudesta – voi vaurioitua merkittävästi, mikäli sitä ei käytetä asianmukaisesti. Mukauttakaa aina veneen nopeus ja suunta aallokko-oloihin.

Toivotamme Sinulle mukavia ja rentouttavia hetkiä vesillä Yamarin veneesi kanssa!

Inhan Tehtaat, Inha Works
Hahdenniementie 2
FI-21120 Raisio
Finland

www.yamarin.com

SÄILYTÄ TÄMÄ KÄSIKIRJA VARMASSA PAIKASSA JA LUOVUTA SE SEURAAVALLE OMISTAJALLE, MIKÄLI MYYT VENEESI.

Sisällysluettelo

1.	Yleistä.....	41
2.	Määritelmät.....	41
3.	Takuu.....	42
4.	Ennen käyttöönottoa.....	42
4.1.	Rekisteröinti.....	42
4.2.	Vakuutukset.....	42
4.3.	Koulutus.....	42
5.	Veneen ominaisuudet ja käyttö.....	42
5.1.	Veneen perustiedot.....	42
5.2.	Valmistajan kilpi.....	43
5.3.	Tekninen erittely.....	44

5.4.	Suurin suositeltu henkilömäärä	44
5.5.	Kuormitus	45
5.6.	Moottori ja potkuri	45
5.7.	Veden sisäänpääsyn estäminen ja vakavuus	46
5.7.1.	Rungon ja kannen läpiviennit sekä sulkuventtiilit	46
5.7.2.	Vakavuus ja kelluvuus	47
5.8.	Tulipalon tai räjähdysvaaran ehkäiseminen	47
5.8.1.	Palontorjunta	47
5.8.2.	Tankkaaminen	48
5.9.	Muut polttoaineella toimivat järjestelmät (Liesi ja lämmitin)	49
5.9.1.	Lämmitin	49
5.9.2.	Liesi	49
5.10.	Pääkytkimet ja sulakkeet	50
6.	Oikea käyttö – muut suositukset ja ohjeet	50
6.1.	Hallintalaitteet	51
6.2.	Hätäkatkaisin	51
6.3.	Vaihteet ja kaasut	51
6.4.	Moottorin rikikulman säätö	51
6.5.	Moottorin käynnistäminen	53
6.6.	Ajaminen	53
6.7.	Laituriin ajo ja laiturista lähteminen	54
6.8.	Kuomun käyttö	54
6.9.	Tuulilasin ovi	55
6.10.	Kansiluukku	55
6.11.	Tuulilasin terävä kulma ja kajuutan ovi	55
6.12.	Mies yli laidan	56
6.13.	Irrallisten varusteiden kiinnittäminen	56
6.14.	Ympäristön huomioonottaminen	56
6.15.	WC:n ja septitankin käyttö	57
6.16.	Veneen kiinnittäminen ja ankkurointi	57
6.17.	Hinaus	58
6.18.	Trailerikuljetus	58
6.19.	Telakointi	59
7.	Veneen ja varusteiden kunnossapito	60
7.1.	Veneen pesu ja vahaus	60
7.2.	Istuintyynyjen hoito-ohjeet	60
7.3.	Kuomun hoito-ohjeet	61
7.4.	Tuulilasin hoito-ohjeet	61
7.5.	Haponkestävien osien hoito-ohjeet	61
7.6.	Sähköisen kaukohallintalaitteen hoito-ohjeet	61
7.7.	Ohjausjärjestelmän hoito-ohjeet	61
7.8.	Sähkökomponenttien hoito-ohjeet	61
7.9.	Pienet pintakorjaukset	61
7.10.	Veneen talvisäilytys	62
7.10.1.	Toimenpiteet ennen talvisäilytystä	62
7.10.2.	Toimenpiteet ennen vesillelaskua keväällä	62
8.	Järjestelyt	63
8.1.	Yleisjärjestelyt	63
8.2.	Polttoainejärjestelmä	64
8.3.	Ohjausjärjestelmä	64
8.4.	Sähköjärjestelmä	65
9.	KytKentäkaaviot	98



EU-vaatimustenmukaisuusvakuutus huviveneen suunnittelun, rakenteen ja melupäästöjen osalta direktiivin 2013/53/EU mukaisesti

(Valmistaja tai valtuutettu edustaja täyttää)

Huviveneen valmistajan nimi: Inhan Tehtaat Oy Ab, Inha Works Ltd.

Osoite: Hahdenniementie 2

Kunta: Raisio Postinumero: 21120 Maa: Finland

Valtuutetun edustajan nimi (jos käytetty): _____

Osoite: _____

Kunta: _____ Postinumero: _____ Maa: _____

Suunnittelun ja valmistuksen arvioinnissa käytetty moduuli: A A1 B+C B+D B+E B+F G H

Ilmoitetun laitoksen nimi suunnittelun ja valmistuksen arvioinnin osalta (jos vaaditaan) DNV GL SE

Osoite: Brookorkai 18

Kunta: Hamburg Postinumero: 20416 Maa: Germany Tunnusnumero: 0098

Ilmoitetun laitoksen sertifiikaatin¹ numero (jos käytetty): RCDB00000CJ Pvm: 04.02.2021

Melupäästöjen arvioinnissa käytetty moduuli (jos käytetty): A A1 G H

Ilmoitetun laitoksen nimi melupäästöjen arvioinnin osalta (jos käytetty): _____

Osoite: _____

Kunta: _____ Postinumero: _____ Maa: _____ Tunnusnumero: _____

Ilmoitetun laitoksen sertifiikaatin¹ numero (jos käytetty): _____ Pvm: _____

Muut sovelletut yhteisön direktiivit: _____

HUVIVENEEN TIEDOT:

Vesikulkuneuvon tunnusnumero: FI - YAM48

Huviveneen merkki: Yamarin Malli tai tyyppi: 67 Day Cruiser

Rakennetyyppi:

kiinteärunkoinen ilmatäytteinen kovapohjainen kumivene (RIB)

Runkotyyppi:

yksirunko monirunko

Rungon rakennusmateriaali:

alumiini, alumiiniseokset lujitemuovi
 teräs, teräseokset puu
 muu (tarkenna): _____

Huvivene
Suunnitteluluokka suurimman
suositellun henkilömäärän mukaan:

Suunnitteluluokka	Henkilömäärä	Suurin kuorma (kg)
A		
B		
C	8	791
D		

Rungon pituus L_H 6,76 m

Rungon leveys B_H 2,55 m

Suurin syväys: _____ m

Kansi:

umpinainen
 osittain katettu
 avoin

Kulkuneuvon pääasiallinen käyttövoima:

purje, purjeiden projektiopinta-ala A_s _____ m²

ihmisvoima

kone/moottori

muu (tarkenna): _____

Asennettu moottorityyppi (jos sovellettavissa) :

polttomoottori, diesel (CI)

polttomoottori, bensiini (SI)

polttomoottori, LPG/CNG

sähkö

muu (tarkenna): _____

Asennettu propulsiotyyppi (jos sovellettavissa) :

perämoottori

sisämoottori akselivedolla

Z- tai perävetolaite

ruoripotkuri (pod drive)

S-vetolaite (sailldrive)

muu (tarkenna): _____

Vetolaitteistossa kiinteä pakoputkisto (jos sovellettavissa): kyllä ei


Suurin suositeltu koneteho: 186,4 kW

Asennettu koneteho: _____ kW

Propulsiovoimoiden lukumäärä: 1 #

Suurin suositeltu moottorin paino²: 313 kg

Tämä vaatimustenmukaisuusvakuutus on annettu yksin valmistajan vastuulla. Vakuutan valmistajan nimissä että yllämainittu huvivene täyttää direktiivin 2013/53/EU artiklassa 4 (1) ja liitteessä I määritellyt vaatimukset.

Nimi ja toimi: Christopher Sjöblom, CEO Allekirjoitus ja titteli: 
(valmistajan tai valtuutetun edustajan puolesta allekirjoittamaan valtuutetun henkilön tunnistie) (tai vastaava merkintä)

Paikka ja aika (pp/kk/vvvv): 04/02/2021

¹ Dokumentti saattaa moduulista riippuen olla nimetty eri tavoin (A1: Stability and buoyancy report, B: EC type examination certificate, G: Certificate of conformity, etc.)

² Vain perämoottorilla varustetuille veneille

Olennaiset vaatimukset (viitaten Direktiivin Liitteen I numerointiin)	Harmonised standards Full Application	Harmonised standards Partial application, see tech. file	Other reference documents ³ Full Application	Other reference documents Partial Application, see tech. file	Other proof of conformity See technical file	Erittele noudatetut yhdenmukaistetut ⁴ standardit tai muut tekniset eritelmit (sisältäen julkaisuvuoden, esim. "EN ISO 8666:2002")
	Rastita vain yksi kohta rivillä					Rastitettujen kohtien oikealla olevat rivit täytettävä
General requirements (2)						
Olennaiset tiedot - päämitat	<input checked="" type="checkbox"/>					ISO 8666:2018
Vesikulkuneuvon tunnusnumero - WIN (2.1)	<input checked="" type="checkbox"/>					EN ISO 10087:2006
Vesikulkuneuvon valmistajan kilpi (2.2)	<input checked="" type="checkbox"/>	<input type="checkbox"/>	<input type="checkbox"/>	<input type="checkbox"/>	<input type="checkbox"/>	2013/53/EU1A-2.2
Laidan yli putoamisen ehkäiseminen ja veneeseen uudelleen nouseminen (2.3)	<input checked="" type="checkbox"/>	<input type="checkbox"/>	<input type="checkbox"/>	<input type="checkbox"/>	<input type="checkbox"/>	EN ISO 15085:2003+A2:2018
Näkyvyys pääasiallisesta ohjailupaikasta (2.4)	<input checked="" type="checkbox"/>	<input type="checkbox"/>	<input type="checkbox"/>	<input type="checkbox"/>	<input type="checkbox"/>	EN ISO 11591: 2016
Omistajan käsikirja (2.5)	<input checked="" type="checkbox"/>	<input type="checkbox"/>	<input type="checkbox"/>	<input type="checkbox"/>	<input type="checkbox"/>	EN ISO 10240:2004 + A1 2015
Rakenteeseen, lujuuteen ja tiiviyyteen liittyvät vaatimukset (3)						
Rakenne (3.1)	<input checked="" type="checkbox"/>	<input type="checkbox"/>	<input type="checkbox"/>	<input type="checkbox"/>	<input type="checkbox"/>	EN ISO 12215-1:2018, EN ISO 12215-2:2018, EN ISO 12215-3:2018, EN ISO 12215-4:2018
Vakavuus ja varalaita (3.2)	<input checked="" type="checkbox"/>	<input type="checkbox"/>	<input type="checkbox"/>	<input type="checkbox"/>	<input type="checkbox"/>	EN ISO 12217-1:2017, EN ISO 12217-3:2017
Kanto- ja kelluntakyky (3.3)	<input checked="" type="checkbox"/>	<input type="checkbox"/>	<input type="checkbox"/>	<input type="checkbox"/>	<input type="checkbox"/>	EN ISO 12217-1:2017, EN ISO 12217-3:2017
Rungon, kannen ja kansirakenteiden aukot (3.4)	<input checked="" type="checkbox"/>	<input type="checkbox"/>	<input type="checkbox"/>	<input type="checkbox"/>	<input type="checkbox"/>	EN ISO 9093-1:2018, EN ISO 12216:2018
Vedellä täyttyminen (3.5)	<input checked="" type="checkbox"/>	<input type="checkbox"/>	<input type="checkbox"/>	<input type="checkbox"/>	<input type="checkbox"/>	EN ISO 11812:2018, EN ISO 15083:2018
Valmistajan suositus suurimmasta sallitusta kuormasta (3.6)	<input checked="" type="checkbox"/>	<input type="checkbox"/>	<input type="checkbox"/>	<input type="checkbox"/>	<input type="checkbox"/>	EN ISO 14946:2001 / AC:2005
Pelastuslaittojen säilytys (3.7)	<input checked="" type="checkbox"/>	<input type="checkbox"/>	<input type="checkbox"/>	<input type="checkbox"/>	<input type="checkbox"/>	RCD Annex I 3.7
Poistumistie (3.8)	<input type="checkbox"/>	<input type="checkbox"/>	<input type="checkbox"/>	<input type="checkbox"/>	<input type="checkbox"/>	
Ankkurointi, kiinnittäminen ja hinaaminen (3.9)	<input checked="" type="checkbox"/>	<input type="checkbox"/>	<input type="checkbox"/>	<input type="checkbox"/>	<input type="checkbox"/>	EN ISO 15084:2018
Ohjailuominaisuudet (4)	<input checked="" type="checkbox"/>	<input type="checkbox"/>	<input type="checkbox"/>	<input type="checkbox"/>	<input type="checkbox"/>	EN ISO 11592-1:2016
Moottorit ja moottoritilat (5.1)						
Sisämoottorit (5.1.1)	<input type="checkbox"/>	<input type="checkbox"/>	<input type="checkbox"/>	<input type="checkbox"/>	<input type="checkbox"/>	
Tuuletus (5.1.2)	<input type="checkbox"/>	<input type="checkbox"/>	<input type="checkbox"/>	<input type="checkbox"/>	<input type="checkbox"/>	
Suojaamattomat osat (5.1.3)	<input type="checkbox"/>	<input type="checkbox"/>	<input type="checkbox"/>	<input type="checkbox"/>	<input type="checkbox"/>	
Perämoottorin käynnistyminen (5.1.4)	<input type="checkbox"/>	<input type="checkbox"/>	<input type="checkbox"/>	<input type="checkbox"/>	<input type="checkbox"/>	
Polttoainejärjestelmä (5.2)						
Yleistä polttoainejärjestelmästä (5.2.1)	<input checked="" type="checkbox"/>	<input type="checkbox"/>	<input type="checkbox"/>	<input type="checkbox"/>	<input type="checkbox"/>	EN ISO 8469:2021, EN ISO 10088:2013, EN ISO 21487:2012/A1:2014
Polttoainesäiliöt (5.2.2)	<input checked="" type="checkbox"/>	<input type="checkbox"/>	<input type="checkbox"/>	<input type="checkbox"/>	<input type="checkbox"/>	EN ISO 21487:2012+A2:2015
Sähköjärjestelmä (5.3)	<input checked="" type="checkbox"/>	<input type="checkbox"/>	<input type="checkbox"/>	<input type="checkbox"/>	<input type="checkbox"/>	EN ISO 8849:2018, EN ISO 10133:2012, EN ISO 13297:2018
Ohjausjärjestelmä (5.4)						
Yleistä ohjausjärjestelmästä (5.4.1)	<input checked="" type="checkbox"/>	<input type="checkbox"/>	<input type="checkbox"/>	<input type="checkbox"/>	<input type="checkbox"/>	EN ISO 8847:2017, EN ISO 10592:2017, EN ISO 25197:2012+A1:2014, EN ISO 25197:2012+A2:2014
Varajärjestelmät (5.4.2)	<input type="checkbox"/>	<input type="checkbox"/>	<input type="checkbox"/>	<input type="checkbox"/>	<input type="checkbox"/>	
Kaasujärjestelmä (5.5)	<input type="checkbox"/>	<input type="checkbox"/>	<input type="checkbox"/>	<input type="checkbox"/>	<input type="checkbox"/>	
Palontorjunta (5.6)						
Yleistä palontorjunnasta (5.6.1)	<input checked="" type="checkbox"/>	<input type="checkbox"/>	<input type="checkbox"/>	<input type="checkbox"/>	<input type="checkbox"/>	EN ISO 9094:2017
Palontorjuntavälineet (5.6.2)	<input checked="" type="checkbox"/>	<input type="checkbox"/>	<input type="checkbox"/>	<input type="checkbox"/>	<input type="checkbox"/>	EN ISO 9094:2017
Merenkulkuvälineet, merkkikuviot ja äänimerkinantolaitteet (5.7)	<input checked="" type="checkbox"/>	<input type="checkbox"/>	<input type="checkbox"/>	<input type="checkbox"/>	<input type="checkbox"/>	EN ISO 16180:2018, 1972 COLREG
Päästöjen torjunta (5.8)	<input type="checkbox"/>	<input type="checkbox"/>	<input type="checkbox"/>	<input type="checkbox"/>	<input type="checkbox"/>	
Annex I.B – Pakokaasupäästöt⁵						
Annex I.C – Melupäästöt⁶						
Melupäästöjen tasot (I.C.1)	<input type="checkbox"/>	<input type="checkbox"/>	<input type="checkbox"/>	<input type="checkbox"/>	<input type="checkbox"/>	
Omistajan käsikirja (I.C.2)	<input type="checkbox"/>	<input type="checkbox"/>	<input type="checkbox"/>	<input type="checkbox"/>	<input type="checkbox"/>	

³Muut kuin yhdenmukaistetut standardit, säännöt, säädökset, ohjeistot,

⁴Euroopan unionin virallisessa lehdessä julkaistut standardit

⁵Katso moottorivalmistajan vaatimustenmukaisuusvakuutus

⁶Koskee vain veneitä joissa on sisä- tai sisäperämoottori ilman vetolaitteeseen sisäänrakennettua pakokaasujärjestelmää

ENNEN KUIN LÄHDET

Tutustu tähän omistajan käsikirjaan.

Tarkista aina ennen vesille lähtöä ainakin seuraavat seikat:

Säätila ja ennuste

Ottakaa huomioon tuuli, aallokko ja näkyvyys. Ovatko veneenne suunnitteluluokka, koko ja varustus sekä päällikön ja miehistön taidot riittäviä sille vesialueelle, jolle olette lähdössä? Voimakkaassa tuulessa ja suuressa aallokossa runkoikkunoiden, luukkujen ja ovien tulee olla suljetut, jotta vesi ei pääsisi veneen sisälle.

Kuormitus ja vakavuus

Älkää ylikuormittako venettä, jakakaa kuorma oikein. Painavat esineet sijoitetaan takapenkin alla oleviin säilytystiloihin. Huomioikaa myös, että veneen vakavuus heikkenee, mikäli henkilöt seisovat veneessä.

Matkustajat

Varmista, että kaikille mukanaolijoille on kelluntapukine tai pelastusliivit. Sopikaa kunkin henkilön tarvittavat tehtävät matkan aikana ennen lähtöä.

Polttoaine ja polttoainejärjestelmä

Tarkistakaa, että polttoainetta on riittävästi; myös reservipolttoainetta huonon sään tms. varalle. Ajettaessa isoissa aalloissa polttoaineen kulutus voi helposti nousta yli 30 % verrattuna tyyneen keliin. Peukalosääntönä voi pitää, että matkan päätteeksi pitää aina olla vähintään 20 % polttoainetta jäljellä. Muista tarkastaa myös polttoaineensuodattimesta, ettei läpinäkyvässä vedenerottimessa suodattimen alapuolella ole vettä. Polttoaineensuodatin tulee vaihtaa 1-2 kertaa vuodessa riippuen ajotunneista ja polttoaineen laadusta.

Moottori ja ohjauslaitteet

Tarkistakaa ohjauksen ja kaukohallintalaitteen toiminta sekä kunto ja tehkää moottorin ohjekirjan mukaiset tarkistustoimet.

Veneen merikelpoisuus

Tarkistakaa veneen merikelpoisuus muutenkin: ei polttoaine- tai vesivuotoja, turvavarusteet mukana jne. Tarkistakaa, ettei veneen välipohjassa ole vettä.

Tavaroiden kiinnitys

Tarkistakaa, että kaikki tavarat on asetettu niin, että ne pysyvät paikoillaan myös merenkäynnissä ja kovassa tuulessa. Huomio, että istuintyyny voi lentää kyydistä, mikäli niiden nepparit eivät ole kiinnitettyinä.

Merikartat

Ellet kulje täysin tuttua reittiä, varmista että mukanasi on merikarttoja riittävän laajalta alueelta! Mikäli veneesi on varustettu karttaplotterilla, opettele käyttämään sitä ennen kuin lähdet vesille. Varmista, että merikartat ovat uusinta painosta.

Lähtömanööverit

Sopikaa miehistön kanssa, kuka irrottaa minkäkin köyden jne. Tarkistakaa etteivät kiinnitysköydet tai ankkuriköysi pääse potkuriin lähdön tai saapumisen aikana.

Pakolliset varusteet

Vesiliikennelainsäädännön mukaan jokaisessa moottorilla varustetussa vesikulkuneuvossa on oltava seuraavat käyttökuntoiset varusteet:

1. Hyväksytyt pelastusliivi, kelluntapukine tai pelastuspuku kullekin veneessä olijalle. Ko. pukineen tulee kokoluokaltaan ja kantavuudeltaan vastata henkilön kokoa ja painoa.
2. Tyhjennysväline
3. Aivot tai mela tai ankkuri köysineen
4. Hyväksytyt vähintään luokka 8A68B käsisammutin. Sammutin pitää tarkastuttaa kerran vuodessa. Yamarin veneessä on vakiovarusteena hyväksytyt sammutin.

Huom!

Koska sammutin asennetaan veneeseen sen valmistusvaiheessa, yhden vuoden voimassa oleva tarkastusleima voi mennä umpeen lyhyehkön ajan uuden veneen käyttöönoton jälkeen. Vesiliikennelainsäädännön mukaan veneen käyttäjä on vastuussa sammuttimen tarkastusleiman voimassaolosta.

Moottoria koskevia lisäohjeita saatte sen erillisestä ohjekirjasta.

1. Yleistä

Käyttäjän käsikirja auttaa sinua tuntemaan uuden veneesi ominaisuuksia, hoitoa ja huoltoa. Veneeseen asennettujen laitteiden omat ohjekirjat on liitetty mukaan ja useissa kohdissa viitataan niihin. Voit tietysti täydentää käsikirjaa myöhemmin hankittujen laitteiden ohjekirjoilla.

Käyttäjän käsikirjan tarkoituksena ei ole olla täydellinen huolto-opas tai korjauskirja, vaan opastaa käyttäjää käyttämään venettä asianmukaisella tavalla.

Käsikirjan kuvissa ja piirroksissa voi esiintyä lisävarusteita tai maakohtaisia varusteita.

Veneellä on juokseva sarjanumero, WIN-koodi (watercraft Identification Number). WIN-koodi on merkitty veneen runkoon uimatason alapuolelle oikealle puolelle veneen peräpeiliin. Suosittelemme, että merkitsette WIN-koodin vaatimustenmukaisuusvakuutukseen seuraavalla sivulla. Asioidessanne jälleenmyyjien kanssa, ilmoittakaa WIN-koodi sekä veneen tyyppi, niin oikeiden varaosien saanti helpottuu.

2. Määritelmät

Tässä käsikirjassa olevat varoitukset ja huomautukset määritellään seuraavasti:

VAARA!

Merkitsee, että on olemassa vakava vaaratekijä, joka johtaa suurella todennäköisyydellä kuolemaan tai pysyvään vammautumiseen, ellei asianmukaisiin varokeinoihin ryhdytä.

VAROITUS!

Merkitsee, että on olemassa vaaratekijä, joka voi johtaa loukkaantumiseen tai kuolemaan, ellei asianmukaisiin varokeinoihin ryhdytä.

HUOM!

Merkitsee muistutusta turvallisesta toimintatavasta tai kiinnittää huomiota vaaralliseen toimintatapaan, joka voi johtaa loukkaantumiseen, veneen tai sen osien vaurioitumiseen, sekä ympäristön vaurioitumiseen.

Käsikirjassa on käytetty SI-järjestelmän mukaisia yksiköjä. Joissain tapauksissa muita yksiköjä on lisätty sulkuihin. Poikkeuksena tästä on tuulen nopeus, joka on huvivenedirektiivissä esitetty boforeina.

3. Takuu

Veneellä ja sen varusteilla on 2 vuoden takuu, alkaen veneen käyttöönottopäivästä. Ota yhteys jälleenmyyjääsi mahdollisissa takuuasioissa. Muista ilmoittaa WIN-koodi. Mikäli mahdollista, ota reklamaatiokohteesta digitaalikuva. Se nopeuttaa yleensä takuuasioiden käsittelyä.

4. Ennen käyttöönottoa

4.1. Rekisteröinti

Vesikulkuneuvorekisterin mukaisesti vene jonka moottorin teho on yli 20 hv (15 kW) tai vene jonka pituus on vähintään 5,5 metriä, on Suomessa merkittävä vesikulkuneuvorekisteriin. Tarkemmat ohjeet rekisteröinnistä saat Trafilta (www.trafi.fi).

Rekisteröitävän moottorikäyttöisen vesikulkuneuvon kuljettajalta vaaditaan vähintään 15 vuoden ikä.

4.2. Vakuutukset

Venevakuutus voi korvata vesillä tai kuljetuksen ja telakoinnin aikana sattuvan vahingon. Varmista erikseen vakuutusvastuu venettä nostettaessa. Vakuutuksella on myös välillinen vaikutus turvallisuuteen vesillä vakavan haverin sattuessa voit keskittyä ennen kaikkea ihmisten pelastamiseen. Tarkempia tietoja eri vakuutusvaihtoehdoista antavat vakuutusyhtiöt. Varmista erikseen vakuutusvastuu venettä nostettaessa ja kuljetettaessa.

4.3. Koulutus

Veneilyä käsittelevää kirjallisuutta on runsaasti. Navigointikursseja järjestävät Suomen Navigaatiooliitto yhdessä kansalaisja työväenopistojen kanssa.

Veneilykouluista antavat tietoja: Suomen Purjehdus ja Veneily.

Nämä antavat hyvän pohjan taidoillesi, mutta varmuus veneen käsittelyssä, navigoinnissa, kiinnittämisessä ja ankkuroinnissa saavutetaan vasta pitkän käytännön harjoittelun jälkeen.

5. Veneen ominaisuudet ja käyttö

5.1. Veneen perustiedot

Huviveneet voidaan suunnitella neljään suunnitteluluokkaan (A, B, C ja D) huvivenedirektiivin 2013/53/EU mukaan. Vene on suunniteltu suunnitteluluokan C mukaisesti. Tässä alla selvitetään, mitä eri suunnitteluluokilla tarkoitetaan.

Luokka A:

Vene on suunniteltu käytettäväksi olosuhteissa, joissa tuulen voimakkuus saattaa ylittää 8 boforia (n. 21 m/s) ja merkitsevä aallonkorkeus (katso huomautus jäljempänä) 4 metriä. Veneet ovat tällöinkin suureksi osaksi omavaraisia. Epänormaali olosuhteet kuten hurrikaanit jäävät ulkopuolelle. Kuvattuja olosuhteita voidaan kohdata pitkällä matkoilla, esimerkiksi valtamerten ylityksissä, tai rannikolla, kun tuulelle ja aalloille avoin matka on useita satoja meripeninkulmia.

Luokka B:

Vene on suunniteltu käytettäväksi olosuhteissa, joissa tuulen voimakkuus on enintään 8 boforia (n. 21 m/s) ja aallokko sen mukainen merkitsevä aallonkorkeus (katso huomautus jäljempänä) enintään 4 metriä. Tällaisia olosuhteita voidaan kohdata riittävän pitkällä avomerimatkoilla, tai ran-

nikkovesillä, kun tuulelle ja aalloille avoin matka on useita kymmeniä meripeninkulmia. Kuvattuja olosuhteita voidaan kohdata myös järvillä, jotka ovat riittävän suuria ko. aallonkorkeuden kehittymiselle.

Luokka C:

Vene on suunniteltu käytettäväksi olosuhteissa, joissa tuulen voimakkuus on enintään 6 boforia (n. 14 m/s) ja aallokko sen mukainen merkitsevä aallonkorkeus (katso huomautus jäljempänä) enintään 2 metriä. Tällaisia olosuhteita voidaan kohdata avoimilla järvillä, jokisuistoissa, ja rannikkovesillä kohtuullisissa sääoloissa.

Luokka D:

Vene on suunniteltu käytettäväksi olosuhteissa, joissa tuulen voimakkuus on enintään 4 boforia (n. 8 m/s) ja aallokko sen mukainen merkitsevä aallonkorkeus enintään 0,3 m, satunnaiset suurimmat aallot 0,5 m korkuisia. Tällaisia olosuhteita voidaan kohdata suojaisilla sisävesillä, ja rannikkovesillä hyvällä säällä.

Huomautus:

Merkitsevä aallonkorkeus on termi, jota käytetään venesuunnittelussa. Käytännössä merkitsevä aallonkorkeus saadaan huomioimalla korkein kolmannes kaikista vesialueella mitatuista aallonkorkeuksista ja ottamalla keskiarvo niistä. Jos merkitsevä aallonkorkeus on 2,0 metriä, on kaikkien aaltojen korkeuden keskiarvo noin 1,2 metriä.

Suurin suositeltu kuormitus:

Katso tekninen erittely

Katso myös kohta 5.4 "Kuormitus".

Päämitat ja kapasiteetit:

Katso tekninen erittely

Veneen pituus, leveys, syväys, kokonaispaino, jne. sekä tankkikapasiteetit on esitetty teknisessä erittelyssä.

5.2. Valmistajan kilpi

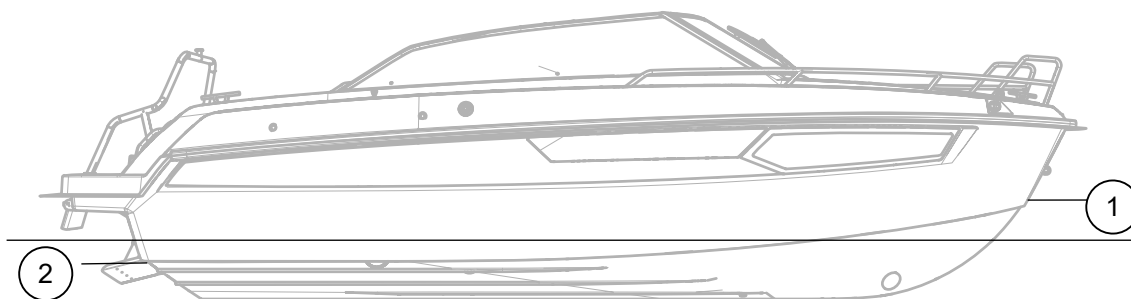
Veneeseen kaukohallintalaitteen läheisyyteen kiinnitetyssä valmistajan kilvessä on annettu osa em. tiedoista. Täydentävät selvitykset on annettu tämän käsikirjan asianomaisissa kohdissa.

5.3. Tekninen erittely

Malli	Yamarin 67 Day Cruiser
Suunnitteluluokka	C
Kokonaispituus	6,76 m
Leveys	2,55 m
Veneen paino ilman moottoria, nesteitä ja varusteita	1686 kg
Suurin henkilömäärä	8
Maksimikuormitus CE-kilvessä	791 kg Sis. henkilöt 8 x 75 kg = 600 kg + henkilökohtaiset varusteet 130 kg + perusvarusteet 20 kg ja pelastuslautta 40 kg
Suurin sallittu moottoriteho	186,4 kW / 250 hp
Suurin sallittu moottoripaino	313 kg
Polttoainatankin tilavuus	195 l
Suurin syväys täydellä kuormalla, moottori ylhäällä	m
Suurin korkeus vedenpinnasta kevyellä kuormalla	m
Mitattu maksiminopeus	Noin 45 solmua

Tuotantoteknisistä syistä veneen painossa ja mitoissa voi esiintyä vaihtelua.

Kuva: Veneen vesilinja



Vesilinja:	
Peräkulmassa	160 mm palteenkulmasta suoraan ylöspäin (2)
Keularangassa	500 mm alaspäin palteen vekistä keularangassa (1)

HUOM!

Mitat kertovat antifouling-värin ylärajan, eivät veneen todellista vesilinjaa.

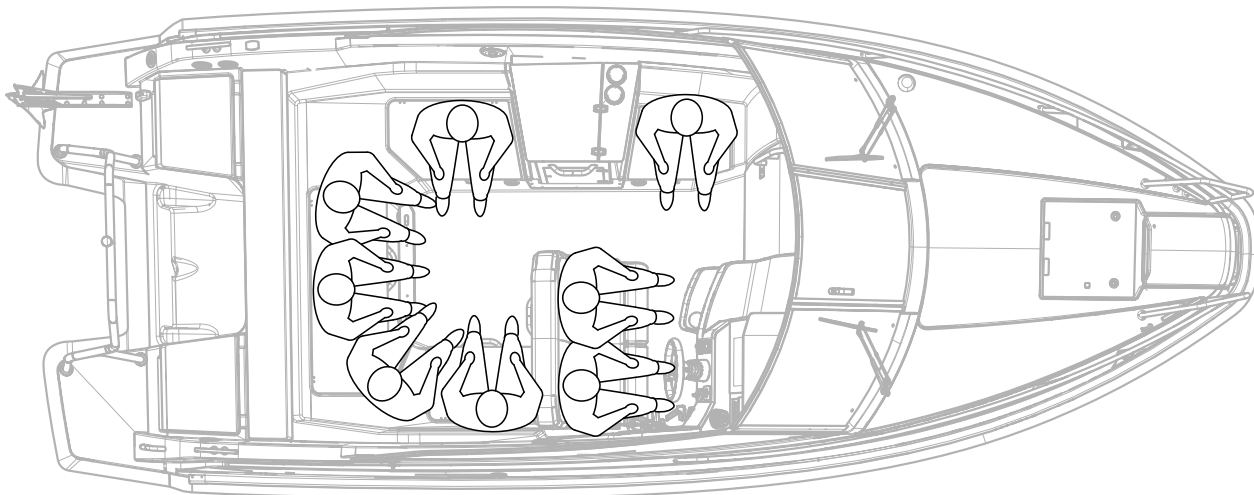
5.4. Suurin suositeltu henkilömäärä

Veneen suurin suositeltava henkilömäärä on 8 henkilöä.

VAROITUS!

Älkää ylittäkö suurinta suositeltua henkilömäärää. Veneessä olevien henkilöiden lukumäärästä riippumatta, henkilöiden ja varusteiden kokonaispaino ei saa koskaan ylittää suurinta suositeltua kuormitusta (katso kohta 5.4 "Kuormitus"). Käyttäkää aina veneessä olevia istuimia tai istuinpaikkoja. Ajon aikana tulee kaikkien veneessä olevien henkilöiden istua istuinpaikoilla.

Veneen istuinpaikat:



5.5. Kuormitus

Veneen suurin sallittu kuormitus on 1006 kg. Tähän lasketaan kuuluvaksi seuraavat painot:

- a) veneessä olevien henkilöiden yhteispaino 600 kg (yhden aikuisen oletuspaino 75 kg, lapsen 37,5 kg)
- b) kiinteissä säiliöissä olevien nesteiden (makeavesi, septi, polttoaine jne.) paino 215 kg
- c) henkilökohtaisten varusteiden (esim. harrastusvälineiden ja yöpymisvarusteiden) paino 130 kg
- d) perusvarusteiden paino 18 kg
- e) pelastuslautta 40kg

HUOM!

Suurin kuormitus sisältää vain edellä mainitut painokomponentit.

VAROITUS!

Kuormatessanne venettä älkää koskaan ylittäkö suurinta suositeltua kuormaa. Lastatkaa vene aina huolellisesti ja jakakaa kuorma asianmukaisesti niin, että veneen kelluu suorassa. Tavallisesti painavat tavarat tulee laittaa säilytystilaan takapenkin alle. Mikäli veneessä on maksimihenkilömäärä, raskaat tavarat tulee sijoittaa etukajuuttaan, ettei veneestä tulisi takapainoinen. Välttäkää sijoittamasta raskaita tavaroita korkealle.

5.6. Moottori ja potkuri

Veneen suurin suositeltava konetehto on 250hv (186,4 kW). Älä käytä venettä, mikäli siinä on suurempi konetehto, kuin CE –kilpeen merkitty teho kW:ssa. Veneen takuu ei ole voimassa mikäli konetehto on suurempi kuin CE –kilpeen on merkattu. Noudattakaa potkurin valinnassa jälleenmyyjän ohjeita.

HUOM!

Välttäkää moottorin kääntämistä kun moottorikaivon luukku makaa moottoriko pan päällä. Takuu ei korvaa moottorikaivon luukusta moottorikopalle aiheutuneita vaurioita.

5.7. Veden sisäänpääsyn estäminen ja vakavuus

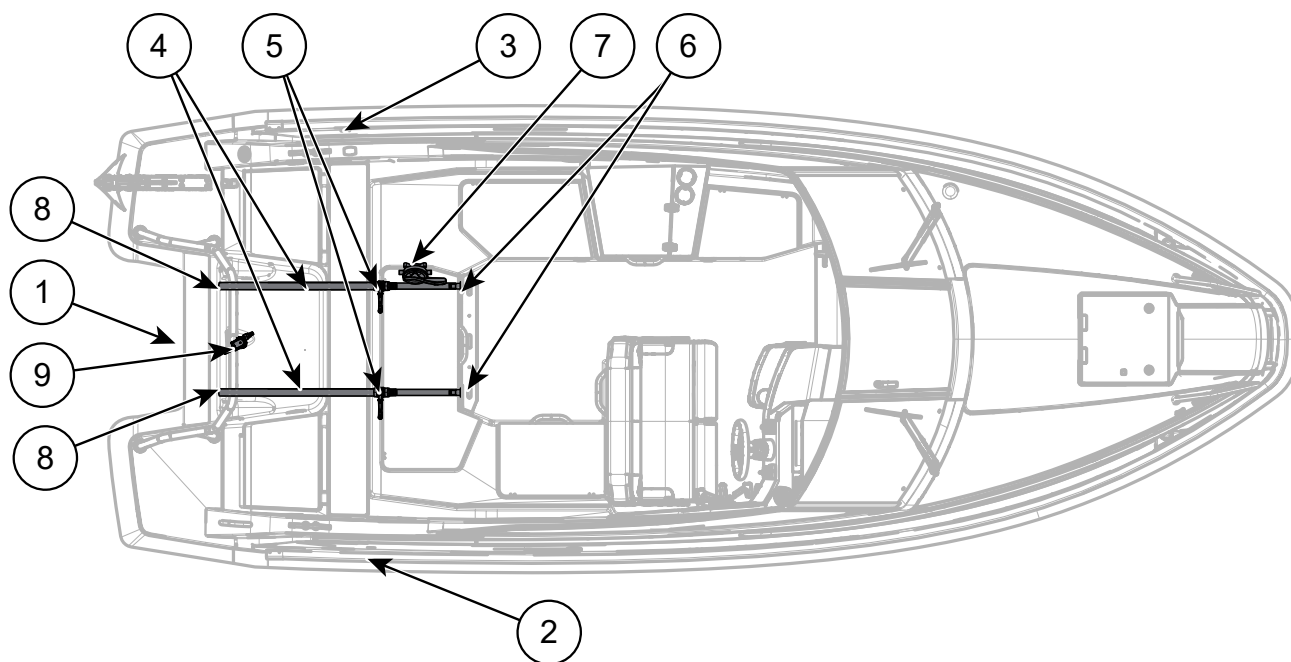
5.7.1. Rungon ja kannen läpiviennit sekä sulkuventtiilit

Veneessä on sadevesityhjennys, joka tarkoittaa, että avotila tyhjenee sadevedestä kun vene on vesillä. Sadevesityhjennysjärjestelmä toimii myös maissa, kunhan keula on ylempänä kuin perä ja sadevesityhjennyksen venttiili on auki. Sadevesityhjennysventtiili sijaitsee takapenkin keskiluukun alla. Venttiili on tarkoitettu suljettavaksi vain suurimmalla sallitulla kuormalla mahdollisen veden sisäänpääsyn estämiseksi. Muissa tapauksissa venttiilin tulee aina olla auki, jotta sadevesi pääsee tyhjentymään veneestä.

Veneeseen on asennettu kaksi pilssipumppua seuraavan kuvan mukaisiin paikkoihin. Sähköisen pilssipumpun kapasiteetti on n. 65 l/min ja käsikäyttöisen pumpun kapasiteetti on n. 0,5 l/veto.

Vene on varustettu korkean pilssiveden varoitusjärjestelmällä, joka varoittaa välipohjaan ker-tyneestä vedestä. Järjestelmään kuuluu pilssissä sijaitseva kohoanturi ja kojetauluun asennettu varoitusvalo.

Kuva: Veneen tyhjennysjärjestelmä



- | | |
|--|---|
| 1. Pilssitilan tyhjennystulppa | 6. Avotilan tyhjennysläpivienti |
| 2. Automaatti pilssipumpun tyhjennysläpivienti | 7. Käsikäyttöinen pilssipumppu |
| 3. Käsikäyttöisen pilssipumpun tyhjennysläpivienti | 8. Poistoaukon sulkuläppä |
| 4. Avotilan tyhjennysputki | 9. Sähköinen pilssipumppu ja kohoanturi |
| 5. Avotilan tyhjennyksen sulkuventtiili | |

On veneen omistajan vastuulla pitää veneessä vähintään 1 äyskäri tai ämpäri ja huolehtia, että ne on varmistettu häviämisen varalta.

VAROITUS!

Pilssipumppujärjestelmää ei ole suunniteltu karilleajosta tai muusta vauriosta aiheutuvan vuodon hallintaan (runkovaurio).

VAROITUS!

Sulje tyhjennysputki aina, kun sen sisäpuolinen pää on kuormauksesta johtuen jatkuvasti vesilinjan alapuolella. Peräpeilissä oleva poistoaukon sulkuläppä estää veden sisääntulon vain peruutettaessa!

TURVATOIMENPIDE!

Tarkastakaan säännöllisin väliajoin, ettei pilssipumppujen imuletkujen päässä ole roskia. Sähköisen pilssipumpun voit tarkastaa irrottamalla takapenkin alla olevan ison vanerilevyn (= tankkitilan luukku). Tämän jälkeen voit nostaa pilssipumpun sen letkusta koska pumppu on irrallaan kotelossa. Käsikäyttöisen pumpun letkun pää sijaitsee polttoainetankin ja peräpeilin välissä, joten saat tarkastettua senkin irrotettuasi takapenkin alla olevan ison vanerilevyn.

HUOM!

Huolehdi, että vesi pääsee esteettä virtaamaan ulos tyhjennysputkessa. Mahdolliset roskat, esim. syksyllä puun lehdet voivat estää veden virtaamisen, jolloin seurauksena vene voi täytyä vedellä ja upota. Tyhjennysjärjestelmä ei toimi pakkasella.

HUOM!

Välipohjaan kertyy aina hiukan kondenssivettä. Myös rungon läpiviennit saattavat päästä hiukan vettä läpi, varsinkin veneen vanhetessa. Muista tarkistaa veneen välipohja aina ennen, kuin jätät veneen laituriin tai poijuun ja lähtiessäsi vesille. Korjauttakaa mahdolliset vuodot valtuutetussa huoltoliikkeessä.

VAROITUS!

Veneen ajo-ominaisuudet voivat muuttua hengenvaarallisiksi jos veneen välipohjassa on vettä.

VAROITUS!

Veneen runkoikkunat tulee pitää suljettuina, veneen ollessa liikkeessä. Sulje runkoikkunat myös jättäessäsi veneesi laituriin tai poijuun. Kovassa kelissä luukut, lokerot ja ovet tulee pitää suljettuina vedellä täyttymisen riskin minimoimiseksi.

5.7.2. Vakavuus ja kelluvuus

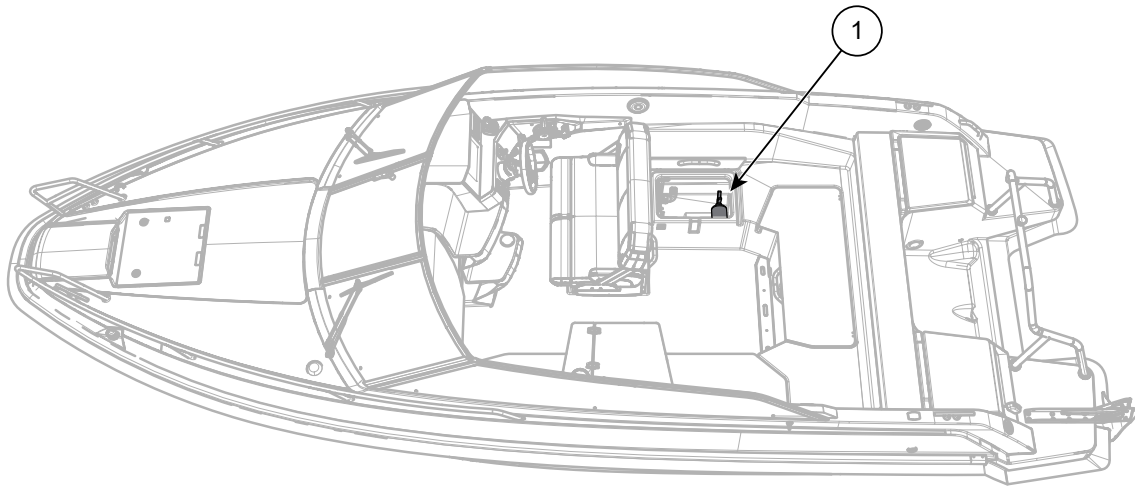
Huomatkaa, että veneen vakavuus heikkenee minkä tahansa korkealle lisätyn painon vaikutuksesta. Kaikki muutokset massojen sijoittelussa voivat vaikuttaa huomattavasti veneen vakavuuteen, trimmiin ja suorituskykyyn. Muistakaa kuitenkin, että suuret murtuvat aallot ovat aina vakava vaara vakavuudelle.

5.8. Tulipalon tai räjähdysvaaran ehkäiseminen

5.8.1. Palontorjunta

Vene on varustettu 2 kg:n käsisammuttimella, luokka 8A 68 B. Jotta sammuttimen toiminta olisi varmistettu, tulee se tarkastuttaa kerran vuodessa valtuutetun tarkastajan toimesta. Mikäli käsisammuttimia vaihdetaan, tulee tilalle hankkia sammutuskyvyltään vähintään vanhaa käsisammutinta vastaava käsisammutin.

Kuva: Käsिसammuttimen sijainti



Varmistukaa siitä, että palonsammutusvälineet ovat helposti saatavilla myös silloin, kun vene on kuormattu. Tiedottakaa kaikille miehistön jäsenille palontorjuntavälineiden sijainti ja toiminta.

Älkää koskaan:

- tukkiko kulkureittiä poistumisaukoille ja luukuille
- tukkiko pääsyä turvalaitteisiin, esim. sähköjärjestelmän katkaisijoille
- tukkiko pääsyä lokeroon sijoitetuille käsिसammuttimille
- jättäkö venettä valvomatta, kun keitin tai lämmityslaite on käytössä
- muuttako mitään veneen järjestelmää (erikoisesti sähkö- tai polttoainejärjestelmää) tai salliko asiantuntemattoman henkilön tehdä muutoksia mihinkään veneen järjestelmään
- täyttäkö mitään polttoainesäiliötä, kun laitteisto on käynnissä tai kun keitto- tai lämmityslaite on käytössä
- tupakoiko käsitellessänne polttoainetta tai kaasua.

HUOM!

Koska sammutin asennetaan veneeseen sen valmistusvaiheessa, yhden vuoden voimassa oleva tarkastusleima voi mennä umpeen lyhyehkössä ajassa uuden veneen käyttöönoton jälkeen.

5.8.2. Tankkaaminen

Ennen tankkauksen aloittamista sammuta moottori sekä tietenkin savukkeet. Tankkauksen aikana ei saa käyttää kytkimiä tai laitteita, jotka voivat aiheuttaa kipinöitä.

Jos täyttöpistooli lyö päältä pois tankatessasi sinun täytyy kääntää pistoolia esimerkiksi 90 astetta, jotta suihku ei osuisi suoraan ketjun kiinnitysruuviin.

Kun tankkaat huoltoasemalla, älkää käyttäkö muovisuppiloa, joka estää täyttöpistoolin ja täyttöhelan välisen staattisen jännitteen purkautumisen.

Vihje: Jos pelkää, että tiikkikannelle roiskuu bensiiniä tankatessasi, kannattaa se kastella vedellä ennen tankkausta. Voit myös pitää rättiä suojana täyttöhelan päällä, jotta bensiiniä ei roiskuisi kannelle.

Pidä aina mukanasasi reservipolttoainetta. Sopivia säilytystiloja varakanisterille ovat erityisesti moilemmat taka-ankkurikotelot. Käyttäessäsi niitä, ei ole mitään riskiä, että kaasuuntunut polttoaine pääsisi kosketuksiin akkutilan tai sähköjärjestelmän kanssa.

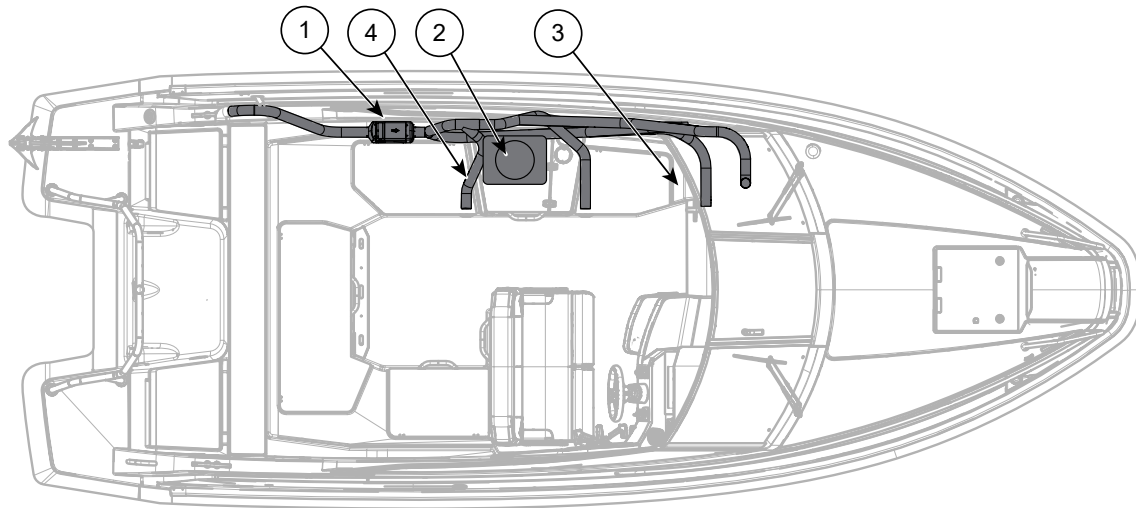
Älkää säilyttäkö takapenkin alla irrallisia tavaroita, jotka voisivat siirtyessään estää moottorin polttoaineensaannin. Tämä koskee erityisesti tavaroita, jotka voivat siirtyä polttoaineletkuja suodatinta vasten. Tarkista polttoaineletkut vuosittain, varsinkin läpivientien kohdat, ettei niissä ole kulumia.

Huomatkaa, että tankkien täyttää kapasiteettia ei aina voida käyttää veneen trimmi- tai kallistuskulmasta riippuen.

VAROITUS!

Kaasuuntunut polttoaine on helposti räjähtävää. Noudata ehdotonta varovaisuutta ja näitä ohjeita tankkauksen yhteydessä. Polttoaineen haju merkitsee aina, että veneessäsi on kaasuuntunutta polttoainetta.

5.9. Muut polttoaineella toimivat järjestelmät (Liesi ja lämmitin)



1. Diesel lämmitin
2. liesi
3. Lämmittimen käyttökytkin
4. Dieseltankki

5.9.1. Lämmitin

Diesel-lämmittimessä (lisävaruste) on omat käyttöohjeet ja toimintaa ei ole kuvattu yksityiskohtaisesti tässä käyttöoppaassa. Lämmittimen polttoainesäiliö sijaitsee takapenkin alla. Sammuta liesi ja lämmitin tankkauksen ja kaasupullon vaihdon ajaksi. Puhdista vuotanut polttoaine välittömästi.

HUOMAUTUS!

Jos veneessä on lämmitin (valinnainen lisävaruste), älä sulje pakoputkia, kun lämmitin on kytketty päälle. Tämä aiheuttaa lämmittimen ylikuumentumisen ja ylikuumentumissuojan. Varo ettei esimerkiksi leputin ole pakoputken päällä

5.9.2. Liesi

Vene voidaan varustaa liedellä, joka hyödyntää samaa diesel tankkia lämmittimen kanssa. Liedellä on omat käyttöohjeet ja toimintaa ei ole kuvattu yksityiskohtaisesti tässä käyttöoppaassa. Lieden oma ohjekirja toimitetaan veneen mukana.

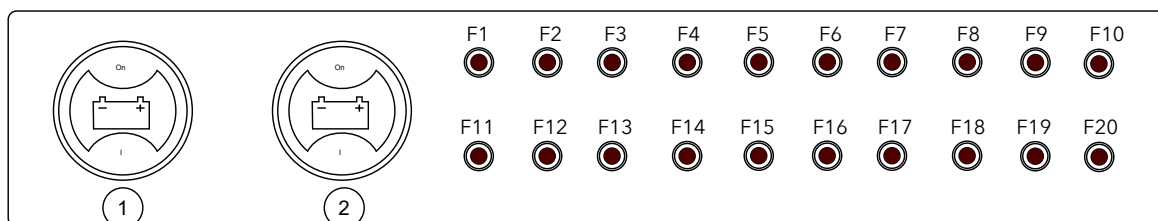
5.10. Pääkytkimet ja sulakkeet

Pääkytkimien toiminta:

- vipu myötapäivään virtapiiri kytketty
- vipu vastapäivään akku irti virtapiiristä

Katkaise virta molemmista pääkytkimistä lähtiessäsi veneestä ja kytke aina molemmat päälle kun käytät venettä.

Kuva: Pääkytkin ja sulakkeet



1	Päävirta, pääakku		F10	Vara	10A
2	Päävirta, kulutusakku		F11	Liesi / vara	10A
F1	Jääkaappi	20A	F12	Yamarin Q	10A
F2	Lämmitin	15A	F13	Pyyhkijät	10A
F3	Pilssipumppu	10A	F14	Suihkun pumppu	10A
F4	Raymarine	10A	F15	Aurinkopaneli	10A
F5	Kansivalot / vesipumppu	10A	F16	Hytin valot	5A
F6	Navigointivalot	10A	F17	Trimmitasot	20A
F7	Audio	25A	F18	Ohjaustehostin	40A
F8	Avotilan virtapistoke	10A	F19	WC	25A
F9	NMEA	3A	F20	Hytti	10A

Virtapiirien sulakkeet on sijoitettu pääkytkimen viereen. Sulakkeiden koot on myös esitetty sähkökuvassa. Älkää muuttako sulakkeiden ampeerilukuja tai asentako sähköjärjestelmään komponentteja, joilla virtapiirin nimellisampeeriluku ylittyy.

HUOM!

Katkaiskaa virta myös siinä tapauksessa, että teette sähköasennuksia.

HUOM!

Älä koskaan katkaise virtaa pääkatkaisimesta moottorin ollessa käynnissä! Tämä saattaa vahingoittaa moottorin sähköjärjestelmää.

HUOM!

Älkää tehkö sähköasennuksia (kuten polttimoiden vaihtoa) virran ollessa kytkettynä. Teettäkää suuremmat sähköasennukset ammattilaisella.

6. Oikea käyttö – muut suositukset ja ohjeet

Jos tämä on ensimmäinen veneesi tai sinulle uusi venetyyppi, ota ensimmäisillä kerroilla mukaasi henkilö, jolla on kokemusta vastaavasta veneestä.

6.1. Hallintalaitteet

Veneen hallitsemisen oppii nopeasti, mutta vaihtelevat olosuhteet, kuten tuuli ja aallokko, asettavat kuljettajan aina uusien tilanteiden eteen. Kaukohallintalaitteeseen on yhdistetty kaasua, vaihteet eteen ja taakse sekä moottorin rikikulman säätö. Veneessä on hydrauliohjaus.

6.2. Hätkätkaisin

Turvakytkin on laite, jonka toinen pää kiinnitetään kytkimeen, joka löytyy kaukohallintalaitteen alta ja toinen esimerkiksi pelastusliiveihin. Turvakytkin sammuttaa moottorin automaattisesti kun se irtoaa kytkimestä kaukohallintalaitteessa. On erittäin tärkeää, että vene pysähtyy, jos jostain syystä kuljettaja menettää tasapainonsa ja lentää pois ohjauspaikalta.

HUOM!

Älä koskaan käytä venettä kiinnittämättä turvakytkintä itseesi. Jos kiinnität turvakytkimen käsivarteeseen, älä ohjaa venettä sillä kädellä, koska silloin ketju saattaa tarttua rattiin jyrkissä käänöksissä.

HUOM!

Moottori ei käynnisty ellei turvakytkin ole kiinnitetty kytkimeen kaukohallintalaitteessa.

VAARA!

Pyörivä potkuri on hengenvaarallinen veteen pudonneelle tai uimarille. Käyttäkää hätkätkäisijää ja sammuttakaa moottori aina, kun uimari tai vesihiihtäjä nousee veneeseen.

6.3. Vaihteet ja kaasua

Saat kytkettyä vaihteen päälle painamalla vaihde/kaasukahvassa olevaa painiketta sormilla ylöspäin ja työntämällä tai vetämällä vaihde/kaasuvipua eteen tai taaksepäin sen mukaan, kumpaan suuntaan olet lähdössä liikkeelle. Kun vaihde on kytketty, voit säätää veneen nopeutta samalla vaihde/kaasuvivulla.

Kun vene on hitaassa kulussa eteenpäin, voidaan peruutusta käyttää jarruna esimerkiksi laituriin ajossa. Muutoin kuin hitaassa kulussa eteenpäin peruutusvaihdetta ei saa kytkeä päälle. Se vahingoittaa moottoria.

6.4. Moottorin rikikulman säätö

Perussäännöt koneen rikikulman säädössä ovat seuraavat:

- Nostettaessa venettä liukuun pidä ”keula alas”-asento.
- Veneen ollessa liu’ussa aallokon ollessa pieni, nosta keulaa kunnes moottori ja vene kulkee kevyesti. Pienessä aallokossa moottoria trimmataan vähintään kolme pykälää ylös, trimmimittari löytyy kierroslukumittarista. Mikäli moottoria trimmataan liian ylös, veneen nopeus laskee. Mikäli ajetaan liian pienellä trimmillä, vene kulkee hitaasti ja moottori käy raskaasti. Hyvän polttoainetalouden saavuttamiseksi on tärkeää ajaa oikealla moottorin trimmillä (=oikea trimmikulma).
- Kovassa vasta-aallokossa laske keulaa alaspäin, jolloin kulku pehmenee.
- Myötäaallokossa nosta keulaa ylöspäin, jottei se ”sukeltaisi” aaltoihin.

VAROITUS!

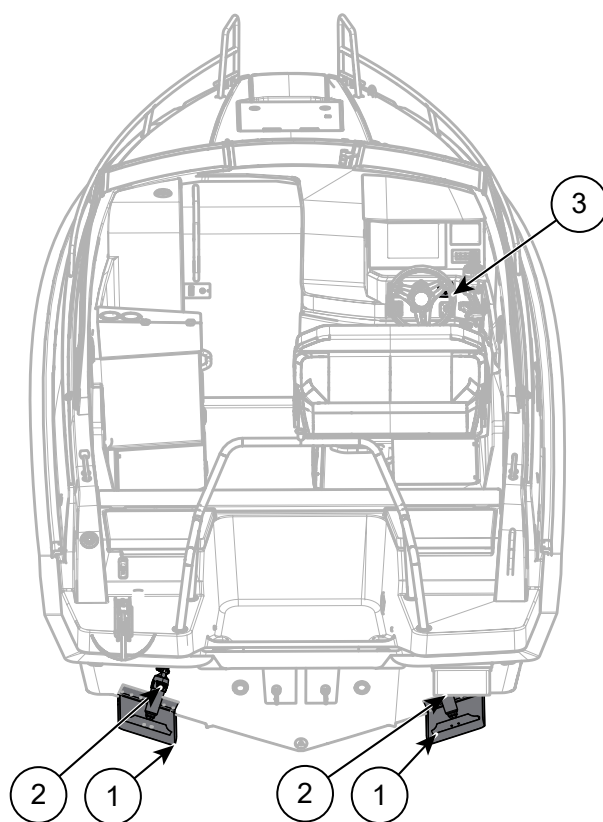
Älä aja venettä suurilla nopeuksilla moottori ylöstrimmattuna, (= keula ylhäällä) koska on

riskinä, että vene kallistuu rajusti, kun potkuri osuu ilmalennon jälkeen veteen suuressa aallokossa. Samaten ei tule ajaa suurilla nopeuksilla moottori täysin negatiiviseksi trimmattuna (= keula alhaalla), koska tämä voi johtaa siihen, että vene kallistuu äkkiarvaamatta veneen keulan osuessa veteen. Jos keula on liian alhaalla voi käänöksissä esiintyä epävakavuutta.

Trimmitasojen avulla voidaan korjata veneen sivuttaissuuntaista kallistumista niin, että vene kulkee täysin suorassa sivutuulella ja myös mikäli vene on kuormattu epätasapainoisesti.

Kaikki liukuvat veneet makaavat tuulta vasten, mutta trimmitasoilla kallistusta voidaan oikaista laskemalla tuulenpuoleinen trimmitaso alas. Tällöin veneen terävä keula leikkaa aallot ja vene kulkee paljon pehmeämmin. Mikäli aaltojen vaikutusta veneeseen halutaan entisestään pienentää, tulee trimmata tuulen puoli ylös, jotta aallot menevät enemmän pohjan alle.

Kuva: Trimmijärjestelmä



1. Trimmilevy
2. Trimmisylinteri
3. Trimmikytkimet

VAROITUS!

Säätäkää trimmitasoja suurilla nopeuksilla varovaisesti ne muuttavat veneen käytöstä rajusti. Älkää ajako keula liian alhaalla, vene voi kääntyä yllättäen.

VAROITUS!

Aallot heikentävät veneen ohjailtavuutta ja kallistavat venettä. Ottakaa tämä huomioon vähentämällä nopeutta aallokon kasvaessa.

6.5. Moottorin käynnistäminen

1. Kytke virta päälle pääkytkimestä.
2. Laske moottori ajoasentoon painamalla peukalolla vaihde/kaasukahvassa olevaa Power Trim-kytkintä alas.
3. Tarkista, että vaihde/kaasukahva on vapaa-asennossa ja turvakytkin on kytketty kaukohallintalaitteen kytkimeen.
4. Kytke virta päälle käynnistämättä konetta ja odota pari sekuntia varoituslamppujen syttymistä.
5. Käynnistä moottori kiertämällä virta-avainta myötapäivään, kunnes se starttaa. Mikäli kaikki on kunnossa, moottorin tulisi käynnistyä 1-2 sekunnin kuluessa. Mikäli moottori ei käynnisty, starttaamista ei tule jatkaa yli 10 sekuntia kerrallaan.
6. Kun moottori on käynnistynyt, anna sen käydä tyhjäkäynnillä muutama minuutti ennen kun lähdet ajamaan. (Katso moottorin käyttöohjekirja!)

Tarkemmat käyttöohjeet löydät moottorin ohjekirjasta.

6.6. Ajaminen

Kauniilla ja tynellä säällä ajaminen on helppoa. Muista kuitenkin riittävän tähystyksen välttämättömyys. Jotta ohjauspaikalta olisi mahdollisimman hyvä näkyvyys:

- sijoita matkustajat siten, ettei näkökenttäsi rajoitu
- älä aja kauaa liukukynnysnopeudella, jolloin keulan nousu haittaa näkyvyyttä
- huonossa näkyvyydessä tähystä tuulilasin ylitse
- erityisesti laivaväylillä muista vilkuilla myös taaksepäin

Käytä pimeän tullen kulkuvaloja

Sovita aina nopeutesi vallitseviin olosuhteisiin sekä ympäristöön. Ota huomioon:

- aallokko (kysy myös matkustajien mielipidettä mukavasta nopeudesta)
- omat peräaaltosi (suurimpia liukuun nousussa, pienimpiä uppoumanopeudella, eli alle 5 solmua)
- näkyvyys (saaret, sumu, sade, vasta-aurinko)
- reitin tuntemus (navigointiin tarvittava aika)
- reitin ahtaus (muut vesilläliikkujat, melu ja peräaallot rannoilla)
- varmistakaa, että teillä on aina törmäyksen välttämiseen tarvittava etäisyys, joka riittää pysäyttämiseen tai väistämiseen.

Hitaasti ajettaessa liukuvalla veneellä on heikompi suuntavakausta kuin kovemmassa vauhdissa. Ole siten tarkkana kapeikoissa ja varsinkin kohdatessasi toisia veneitä.

Opetelkaa meriteiden säännöt (esim. Editan julkaisemasta kirjasta ”Vesiliikenteen säädökset”) ja seurakaa niiden antamia ohjeita sekä COLREG:n (kansainväliset säännöt yhteentörmäämisen ehkäisemiseksi merellä) vaatimuksia. Navigoikaa huolellisesti ja käyttäkää uusia tai päivitettyjä merikortteja.

Veneen kulkuasento vaikuttaa voimakkaasti ajo-ominaisuuksiin kuten myös polttoaineenkulutukseen, sekä näkyvyyteen ohjauspaikalta. Kulkuasentoon voit vaikuttaa

- kuorman sijoittelulla. Yleissääntö on, että mahdollisimman vähän painoa keulaan.
- moottorin rikikulman säädöllä

Oikea kulkuasento sopivaan nopeuteen yhdistettynä tekee myös aallokossa ajon mukavammaksi

ja turvalliseksi.

VAROITUS!

Suuri nopeus ja äkilliset ohjausliikkeet saattavat korkeassa aallokossa johtaa veneen hallinnan menettämiseen ja suuriin kallistuskulmiin.

HUOM!

Venettä ei ole suunniteltu siihen, että sitä hyppytetään aalloissa niin, että se irtoaa vedestä kokonaan. Takuu ei korvaa vaurioita, jotka ovat syntyneet ilmalennon johdosta. Mahdolliset ilmalennot voidaan tarkastaa moottorin historiikista tietokoneen avulla.

6.7. Laituriin ajo ja laiturista lähteminen

Harjoittele veneen käsittelyä laiturin lähestymistilanteissa paikassa, missä on hyvää tilaa ennen kuin ajat venettäsi ahtaaseen satamaan ensimmäistä kertaa.

Kovin varovainen kaasuttaminen ei anna tarvittavaa ohjausvoimaa. Tehokkaat ohjausliikkeet laituriin ajettaessa saadaan, kun kaasua käytetään napakasti, mutta lyhyitä jaksoja.

Pidä huoli, että kaikki veneessä olijat, joiden ei ole pakko seisoa, istuvat, kun käsittelet venettä laituriin ajaessasi. Äkilliset ohjausliikkeet voivat kallistaa venettä ja aiheuttaa loukkaantumisia.

Ennen laituriin ajoa, varusta kiinnitysköydet valmiiksi keulaan ja perään. Lähesty laituria pienessä kulmassa keula edellä. Juuri ennen kosketusta laituriin, käännä ohjaus laituria kohti ja vaihda peruutukselle. Kaasuta lyhyesti ja napakasti. Vene pysähtyy ja kääntyy laiturin suuntaiseksi. Jos mahdollista, aja laituriin vastatuuleen tai vastavirtaan sen mukaan, kumpi on voimakkaampi. Silloin on helppoa lähteä jatkamaan matkaa, kun tuuli tai virta painaa veneen irti laiturista. Irtautumaan pääset parhaiten, kun työnnät ensin perän niin kauas laiturista kuin mahdollista. Peruuta sitten hitaasti irti laiturista selville vesille.

Potkuri on suunniteltu antamaan paras pitonsa eteenpäin ajettaessa. Peruutettaessa potkurin teho on siis heikompi. Vene ei myöskään tottele ohjausta peruutettaessa yhtä hyvin kuin eteenpäin ajettaessa.

VAROITUS!

Vene on nopea. Se ei pysähdy liu'usta hetkessä. Hidasta nopeutta ajoissa ennen rantaan tai laituriin ajoa. Opettele arvioimaan veneen pysähtymiseen tarvittava matka. Muista, että vene ohjautuu huonosti, jos veto ei ole päällä.

VAROITUS!

Älä yritä pysäyttää venettä käsivoimin, äläkä laita kättäsi tai jalkaasi veneen ja laiturin, rannan tai toisen veneen väliin! Harjoittele rantautumista hyvissä olosuhteissa! Käytä konevoimaa hillitysti mutta määrätietoisesti!

HUOM!

Kiinnittäessäsi venettäsi ota huomioon tuulen kääntyminen, vedenpinnan nousu tai lasku, peräaallot jne. Lisäohjeita saat mm. vakuutusyhtiöiltä.

6.8. Kuomun käyttö

Kuomu on mitoitettu kestäämään enintään 30 solmun nopeuden vesillä ja vastaavasti 50 km/h maantiellä. Kaikki kuomun nepparit pitää olla kunnolla kiinni ajon aikana. Kuomu on tehty niin, että

on mahdollista pitää pelkästään kuomun etuosaa ylhäällä. Jotta saisit kuomun mahtumaan helpommin kuomukoteloon, suosittelemme, että otat kuomun sivut ja takaosan pois. Tämän jälkeen taitat sivujen yläosat kokonaan katon päälle niin, ettei jää kangasta kuomukaarien kulmien kohdalle. Lopuksi rullaat katto-osan ja sen päälle taivutetut sivuosat huolellisesti ja lasket kuomun kuomukoteloon.

HUOM!

Venettä ei tule käyttää sateessa ilman kuomua. Veneen avotilassa olevat varusteet eivät ole vesitiiviitä ja ne täytyy suojata sateelta.

HUOM!

Tuulilasin ja kuomun rakenne ei välttämättä ole täysin vesitiivis. Kuomun päällä ollessa veneeseen voi tulla vettä kuomun ja tuulilasin välistä.

6.9. Tuulilasin ovi

Tuulilasin ovi tulee aina pitää suljettuna ja lukittuna veneen ajon aikana. Ovea ei ole mitoitettu käytettäväksi tukikaiteena, kun kuljetaan sisään tai ulos veneestä.

VAROITUS!

Merenkäynnissä, kovassa tuulessa tai tuulenpuuskissa tulee ovi pitää suljettuna, koska muuten on olemassa riski, että ovi saattaa paiskautua kiinni itsestään. Ovi on raskas ja se saattaa aiheuttaa henkilövahinkoja, mikäli se osuu henkilöön paiskautuessaan kiinni.

VAROITUS!

Veneen ollessaan paikalla isot aallot tai tuulenpuuska voi johtaa siihen, että ovi yllättäen lyö kiinni. Tästä syystä on suositeltavaa pitää ovi aina kiinni, kun ei kuljeta etukannen kautta.

6.10. Kansiluukku

Kansiluukku tulee aina pitää suljettuna ja lukittuna veneen ajon aikana.

HUOM!

Vaikka kansiluukku kestääkkin päällä kävelyn, saattavat kenkien pohjassa olevat epäpuhtaudet aiheuttaa luukun naarmuntumista. Vältä siis luukun päälle astumista.

6.11. Tuulilasin terävä kulma ja kajuutan ovi

Portaissa tulee noudattaa suurta varovaisuutta, varsinkin jos kajuutan ovi on avoinna.

HUOM!

Veneellä liikuttaessa lukitse kajuutan ovi lukitussalvalla, muuten ovi voi sulkeutua kovalla vauhdilla.

VAROITUS!

Varo oikeanpuoleisen tuulilasin yläkulmaa kun nouset portaita ylös, jotta polvesi ei osu suoraan terävään kulmaan. Kun laskeudut portaita alas edellä mainittu terävä kulma saattaa osua sääreen jos et varo sitä.

VAROITUS!

Luukun käyttöä ei suositella lapsille, koska lapsen sormet tai varpaat voivat jäädä väliin.

6.12. Mies yli laidan

Mies yli laidan –tilanne on aina vakava. Sitä kannattaa harjoitella etukäteen hyvällä säällä, sillä onnettomuuden sattuessa siihen ei ole mahdollisuutta.

Vene on varustettu kiinteillä uimatikkailla, jonka saa käyttöön myös vedestä käsin. Tikkaiden teleskooppiosia on kiinnitetty tarranauhalla.

Veneestä veteen joutunut kannatta aina auttaa takaisin veneeseen perästä. Veneeseen kiinnitetty köysilenkki helpottaa nostamista. Veneen uimaportaat ulottuvat noin 30 cm veden alle. Jos veteen pudonnut on lapsi, on aikuisen aina hypättävä perään mukanaan esim. ylimääräiset pelastusliivit tai lepuuttaja, mutta jonkun on jäätävä myös veneeseen.

On erittäin tärkeää säilyttää näkökontakti ja keskusteluyhteys pudonneeseen.

VAARA!

Pyörivä potkuri on hengenvaarallinen veteen pudonneelle tai uimarille. Käyttäkää hätäkatkaisijaa ja sammuttakaa moottori aina, kun uimari tai vesihiihtäjä nousee veneeseen.

6.13. Irrallisten varusteiden kiinnittäminen

Kiinnittäkää kaikki painavat varusteet, kuten ankkurit, luotettavasti paikalleen ennen liikkelelähtöä.

6.14. Ympäristön huomioonottaminen

Suomen saaristo ja järvet ovat ainutlaatuisia ja niiden luonnon säilyttäminen on veneilijänkin kunnia-asia. Vältä siis

- polttoaine- tai öljyvuoja
- roskien tai jätteen tyhjentämistä vesistöön tai jättämistä rannalle
- pesuaineiden tai liuottimien päästämistä veteen
- kovaa melua sekä vesillä että satamissa
- tarpeettoman korkeaa peräaaltoa erityisesti kapeikoissa tai matalissa vesissä

Huolla moottorisi hyvin ja aja taloudellista nopeutta, jolloin myös pakokaasupäästöt pysyvät pieninä.

Jokaista luonnossa liikkuvaa koskee ns. jokamiehen oikeus, jonka mukaan toisen mailla saa pihapiiriä lukuun ottamatta liikkua vahinkoa ja haittaa aiheuttamatta. Tämä oikeus sallii myös liikumisen vesistöissä ja tilapäisen ankkuroimisen, uimisen ja maihin nousemisen asumattomaan rantaan, ellei sitä ole erikseen virallisesti kielletty. Asuttujen rantojen viereen ankkuriin jääminen on kiellettyä. Ilman lupaa ei myöskään saa kiinnittyä toisen laituriin tai asuttuun rantaan.

Tutustukaa kansainvälisiin sääntöihin merten saastumisen ehkäisemiseksi (MARPOL) ja kunnioitakaa niitä niin paljon kuin mahdollista.

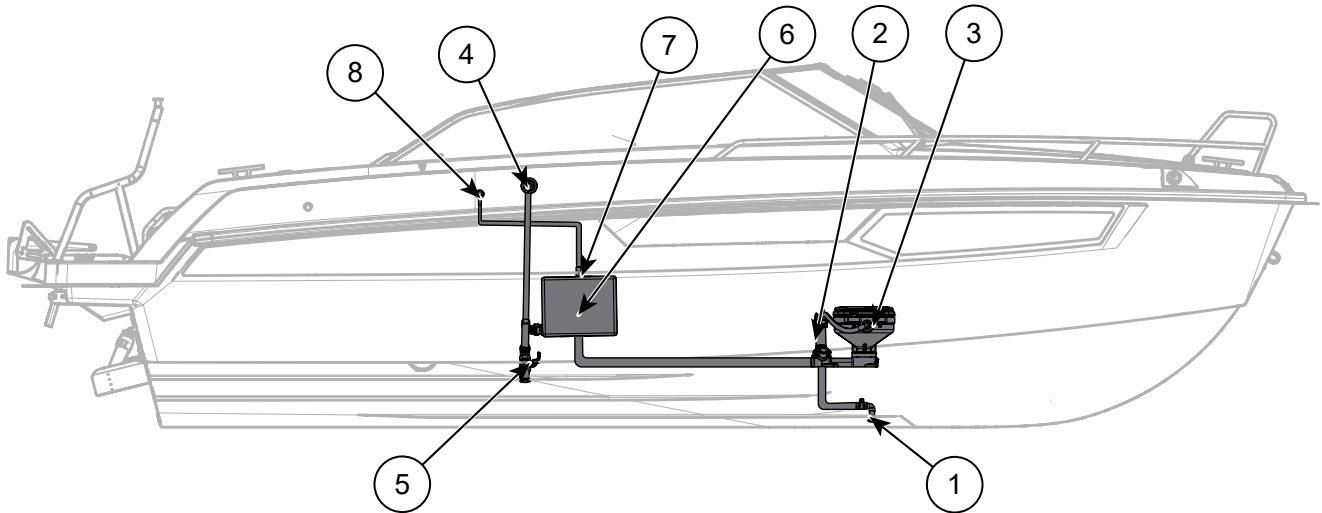
Saarissa voi telттаilla, ellei se aiheuta maanomistajalle vahinkoa. Telttailu on kielletty lähellä pihajärvien alueita ja viljelyksiä. Nuotion saa sytyttää vain, jos maanomistajalta on lupa. Veneilijät saavat myös poimia luonnonvaraisia marjoja ja sieniä, kunhan eivät vahingoita puita tai luontoa. Tarkasta oman alueesi säännöt luonnossa liikkumisesta.

6.15. WC:n ja septitankin käyttö

WC:ssä käytetään merivettä huuhteluvetenä. Huuhdellessa jätteet menevät septitankkiin. Huuhteluveden sulkuventtiili sijaitsee kajuutassa huoltoluukun alla, veneen vasemman puoleisella laidalla. Normaalisessa käytössä venttiili voidaan pitää auki. Kovassa merenkäynnissä suosittelemme, että suljet venttiilin välttääksesi lappoeffektin.

Septitankin (=käymäläjätevesitankin) koko on 28 l ja se sijaitsee oikeanpuoleisen (SB) avotilan penkin alla. Imutyhjennyksen kansihela on standardin ISO 8099 mukainen ja se sijaitsee takapollarin vieressä veneen oikealla puolella.

Kuva: Septijärjestelmä



- | | |
|--|---|
| 1. WC:n huuhteluveden sisäänottoventtiili (kajuutassa huoltoluukun alla) | 5. Septitankin veteentyhjennyksen venttiili |
| 2. WC:n huuhtelupumppu | 6. Septitankki |
| 3. WC istuin | 7. Septitankin anturi |
| 4. Septitankin imutyhjennysshela | 8. Septitankin huohotinhela |

Tyhjentäkää septitankki lähtiessänne satamasta käyttämällä niiden imutyhjennyslaitteistoja.

Septitankin merityhjennysventtiili sijaitsee kuljettajan paikan takana olevassa istuinlaatikossa. Septitankin merityhjennyksen venttiiliä on pidettävä normaalitapauksissa suljettuna koska Suomen aluevesillä käsittelemätön käymäläjätteen tyhjentäminen mereen tai järveen on alusjätelain mukaan kiellettyä. Merityhjennyksen venttiilissä on sinetöintimahdollisuus.

Septitankin ja siihen liittyvien letkujen ym. puhdistukseen voidaan käyttää lievästi emäksisiä yleispuhdistusaineita. Jäätymisenestoaineena voidaan käyttää glykolia. Pakkasella säilytettäessä järjestelmän tulee kuitenkin olla mahdollisimman tyhjä.

6.16. Veneen kiinnittäminen ja ankkurointi

Kiinnittäkää veneenne aina suojaisaankin paikkaan huolellisesti, koska olosuhteet saattavat muuttua nopeasti. Kiinnitysköysien tulisi olla varustetut joustimilla nykäysten vaimentamiseksi. Katso kiinnityspisteet luvusta Hinaus. Käyttäkää riittävän suuria lepuuttimia hankautumisen estämiseksi.

Veneen etupollareiden lujuus eteenpäin on vähintään 23 kN eli noin 2 300 kg. Vastaavasti takapollareiden lujuus taaksepäin on 16,0 kN eli noin 1 600 kg.

Veneessä tulee käyttää ankkuria, jonka paino on 10 kg tai enemmän. Laske ankkuri riittävän kauas

rannasta. Kohtuullinen pito saavutetaan kun köyttä on 4 - 5 kertaa veden syvyys.

VAROITUS!

Älkää yrittäkö pysäyttää venettä käsivoimin älkääkä laittako kättänne tai jalkaanne veneen ja laiturin, rannan tai toisen veneen väliin.

HUOM!

Kiinnittäessänne venettänne ottakaa huomioon tuulen kääntyminen, vedenpinnan nousu tai lasku, peräaallot jne. Lisäohjeita saatte mm. vakuutusyhtiöiltä.

6.17. Hinaus

Kun hinaat toista venettä, käytä riittävän vahvaa, kelluvaa hinausköyttä. Aloita hinaus varovaisesti, vältä nykäyksiä, älä ylikuormita moottoria.

Veneen omistajan tulee harkita, mitkä toimenpiteet ovat tarpeellisia veneen hinausköyttä varmistettaessa.

Kun hinaat tai jos venettäsi joudutaan hinaamaan, kiinnitä hinausköysi perä tai keulapollareihin kuvan mukaisesti.

VAROITUS!

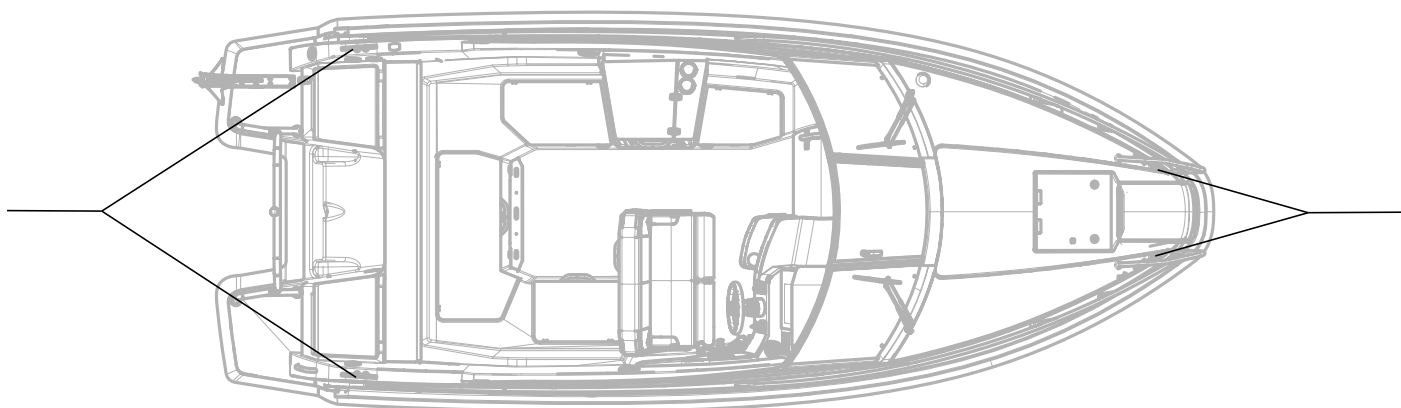
Hinausköysi on suuren jännityksen alainen. Jos se katkeaa, saattaa katkenneella päällä olla hengenvaarallinen nopeus. Käyttäkää aina riittävän paksua köyttä älkääkä oleskelko köyden vetolinjalla.

HUOM!

Kun hinaat tai olet hinattavana, käytä aina pientä nopeutta. Jos on kyse uppoumarunkoisesta veneestä, älä koskaan ylitä hinauksessa runkonopeutta.

HUOM!

Hinausköysi tulee aina kiinnittää siten, että se on irrotettavissa kuormitettuna.



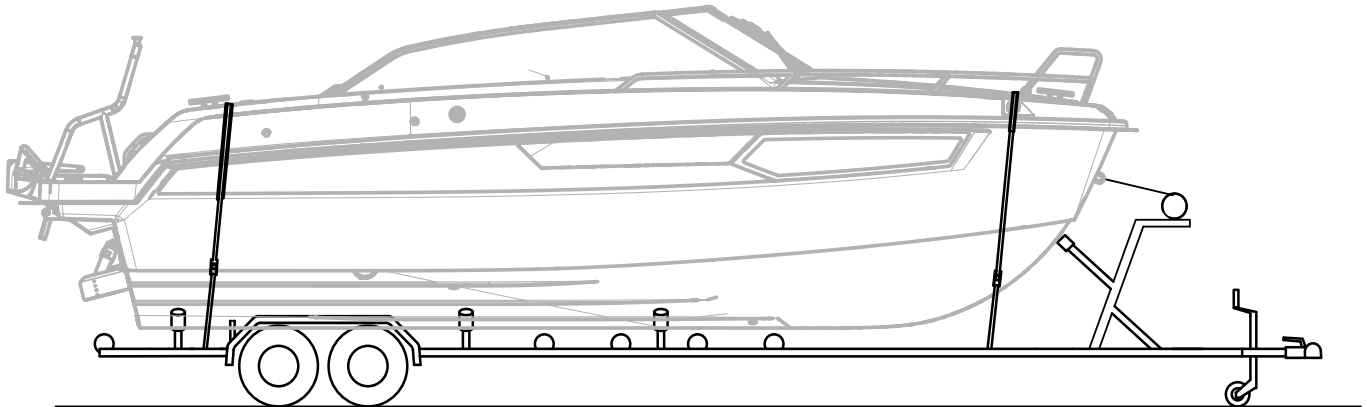
6.18. Trailerikuljetus

Painotiedot trailerikuljetukseen löytyvät teknisestä erittelistä. Trailerin kōlitukien tulisi kantaa suurin osa veneen painosta. Säädä sivutuet siten, ettei vene pääse heilumaan sivusuunnassa Tarvitessa kysykää lisätietoja jälleenmyyjältä oikeasta tuentatavasta ja trailerin koosta.

Puhdista tuet mahdollisesta hiekasta ja liasta, jotta ne eivät naarmuttaisi pohjaa. Tarkista vielä keran, että trailerin ja auton vetonupin lukitus on varma!

Nostopaikan tulee olla suojainen ja traileriluiskan ulottua riittävän syväälle. Aja traileri niin syväälle, että takimmainen kölituki on juuri vedenpinnan alapuolella. Aja veneen keula varovasti kiinni takimmaiseen kölitukeen. Kiinnitä vinssin vaijeri hinaussilmukkaan ja kelaä vene trailerille huolehtien koko ajan siitä, että vene pysyy trailerin keskilinjalla suorassa. Jotta moottori ei osuisi pohjaan, muista trimmata moottori ylös ennen kuin nostat veneen trailerille.

Kuva: Veneen kiinnittäminen traileriin



Sido vene tiukasti kiinni traileriin ennen kuljetuksen aloittamista. Keulan liinat tulee suuntautua "alas-taakse" ja perän liinat alas-eteen. Älä jätä veneeseen irtonaisia tavaroita tai ylimääräistä kuormaa kuljetuksen ajaksi. Ota istuintyyny pois ja sulje kaikki luukut kunnolla.

Moottorin tulisi olla kuljetuksen aikana ajoasennossaan. Huolehdi kuitenkin riittävästä maavarasta. Jos maavara ei tässä asennossa riitä, moottorin voi kuljettaa kipattuna. Silloin se on tuettava sopivalla tukilaitteella perälaudan suojelemiseksi.

Mikäli venettä säilytetään trailerilla kuljetusten välillä, on liinat löysättävä säilytyksen ajaksi ja kiristettävä ennen seuraavaa kuljetusta.

HUOM!

Trailerin tulee olla hiukan etupainoinen. Sopiva aisapaino on 4 % trailerin kokonaismassasta, mutta kuitenkin vähintään 25 kg. Aisapaino ei kuitenkaan saa ylittää vetävän ajoneuvon valmistajan vetokoukulle määrittämää suurinta pystysuuntaista kuormaa. Varmista, että vene on kiinnitetty riittävän tiukasti traileriin ja että veneen paino jakautuu sivutuille tasan. Jos heiluva vene iskeytyy kuljetuksessa yksittäistä tukea vasten, voi runko vaurioitua.

Laskiessasi venettä trailerilta muista kiinnittää keulaköysi valmiiksi veneeseen, jotta voit irrottaa trailerin vaijerin hinaussilmukasta heti, kun vene on vedessä. Varo vinssikampea!

6.19. Telakointi

Talvisäilytyspukin tulee olla riittävän kestävä juuri kyseiselle vene/moottoriyhdistelmälle. V-pukien väliin tulisi laittaa vahva lankku (esim. 2x4"), joka tukee köliä ja kantaa suurimman osan veneen painosta. Sivutuet eivät saa kannatella venettä. Sivutuet eivät saa osua nousulistojen kohdalle ja pistekuormia tulee välttää.

Tukirakenteen tulee olla varsinkin peräpeilin läheisyydessä vahva, jotta se kantaa myös moottorin painon.

Anna nosto tehtäväksi vain luotettavalle nosturiliikkeelle tai venetelakalle, jolla on riittävä nostokapasiteetti. Ota huomioon veneen omapainon (katso tekninen erittely) lisäksi veneessä olevat

varusteet ja muu kuorma.

Kun venettä nostetaan, on liinat laitettava pohjan alle ja huolehdittava, että vene pysyy noston aikana vaakasuorassa.

HUOM!

Venettä ei saa nostaa pollareista.

VAARA!

Älä mene veneen alle, kun se roikkuu nosturin varassa.

7. Veneen ja varusteiden kunnossapito

Pidä veneesi ja sen varusteet puhtaina ja siisteinä. Se lisää viihtyisyyttä ja turvallisuutta sekä veneen jälleenmyyntiarvoa.

Tutustukaa moottorin ohjekirjassa (liite) esitettyihin huoltotoimiin. Huollata moottorisi moottorin ohjekirjan mukaisesti.

7.1. Veneen pesu ja vahaus

Kannen ja kylkien hoidoksi riittää yleensä pesu ja vahaus. Pesuun sopivat parhaiten erityiset veneenpesuaineet. Älä käytä voimakkaita liuottimia, ne voivat himmentää lujitemuovipintojen kiiltoa. Hankaumien tai pinttyneen lian poistamiseen voit käyttää lievästi hiovia kiillotusaineita. Lasikuitupinnat voi hyvin pestä painepesurilla.

Yleisvinkki: Vesijohtovedellä pestyyn veneeseen jää sen kuivuttua ohut, liitumainen kalkkija mineraalikerrostuma, joka johtuu veden kovuudesta. Tästä pääsee eroon sekoittamalla ämpärilliseen huuhteluvettä muutaman tipan mäntysaippualiuosta.

Yleisvinkki: Vesihelmija kalkkitahrat katoavat haponkestävistä kaiteista Lemon Pled –kalustesuihkeella. Kaiteet alkavat hohtaa kuin veistämön linjalla.

Yleisvinkki: Jos veneköydet tuoksuvat kauden jälkeen pahalta, upota ne pariiksi tunniksi vesiämpäriin, jossa on pullollinen omenaviini-etikkaa ja loraus pyykinhuuhteluainetta. Anna kuivua kunnolla ja köydet ovat kuin uudet.

7.2. Istuintyynyjen hoito-ohjeet

Suojaa aina veneen avotilan tyynyjä sateelta kuomulla tai satamapeitteellä. Vaikka istuintyyny ja kuljettajan istuin on tehty vedenkestävästä materiaalista, niiden saumat päästävät vettä läpi. Tyynyjä on syytä suojata suihkuttamalla niihin Sunbrella-spreytä. Jos tyynyt ovat pitemmän ajan kosteina, ne homehtuvat ja menevät pilalle. Jos patjat kastuvat märiksi, voi kankaan irrottaa avaamalla patjassa olevan vetoketjun ja kuivattaa esim. auringonpaisteessa, huoneenlämpötilassa tai saunassa (50 °C). Takuu ei korvaa istuintyynyjä, jotka ovat pilaantuneet sateesta tai kosteudesta.

HUOM!

Jotta veneen istuintyyny säilyisivät hyväkuntoisina talven yli, niitä pitää säilyttää kuivassa ja hyvin tuuletetussa tilassa.

HUOM!

Märkiä tyynyjä ei pidä laittaa säilytystiloihin, koska ne homehtuvat helposti.

Istuintyynyjen nepparit pitää käsitellä silikonivaseliinilla silloin tällöin, muuten ne saattavat tarttua kiinni niin lujasti, että kangas voi mennä rikki niitä irrottaessa. Takuu ei korvaa rikottuja istuintyynyjä. Laita hyvin vähän silikonivaseliinia keralla, jotta tyynyt eivät sotkeutuisi.

7.3. Kuomun hoito-ohjeet

Säilytä kuomu talven yli kuivassa ja hyvin tuuletetussa tilassa. Takuu ei korvaa rikottuja eikä homeisia kuomuja.

7.4. Tuulilasin hoito-ohjeet

Veneen tuulilasi on karkaistua lasia ja sitä voi pestä normaaleilla lasinpuhdistusaineilla.

Yleisvinkki: Kun peset veneen tuulilasin, vältä kuivaamisessa pyörivää liikettä. Se jättää lasille ikäviä pyörretahroja, jotka näkyvät vastavalossa ja haittaavat näkyvyyttä. Käytä sanomalehtiä tai puuvillalappua ja pyyhi pesujäljet ensin vaaka- ja sitten pystysuuntaisesti. Toista muutaman kerran ja ikkunat sädehtivät.

7.5. Haponkestävien osien hoito-ohjeet

Säilyttääkseen veneen haponkestävät osat, kuten kaiteet, kahvat ja pollarit kirkkaina ja uudenveroisina on veneen omistajan pidettävä osat puhtaina ja vahattuina. Myös kaiteiden kiinnityslaippojen reunat tulee pudistaa. Lika, joka jää laipan reunan alle alkaa vähitellen näyttämään ruosteelta. Ellei mitään vaurioita tapahdu, on osat puhdistettava ja vahattava vähintään kaksi kertaa kesässä. Myös syksyllä, kun vene siirretään talvivarastoon, on kaiteiden huolto suoritettava.

7.6. Sähköisen kaukohallintalaitteen hoito-ohjeet

Mikäli sähköisen kaukohallintalaitteen toiminnassa ilmenee ongelmia, tulee se huollattaa valtuutetussa Yamaha huoltoliikkeessä.

7.7. Ohjausjärjestelmän hoito-ohjeet

Hydrauliohjaus ei normaalisti vaadi huoltoa. Jos ohjaus muuttuu ”löysäksi”, järjestelmässä on vuoto. Vuoto on välittömästi korjattava!

VAROITUS!

Hydrauliohjausjärjestelmä, jossa on vuoto tai ilmaa, on hengenvaarallinen.

7.8. Sähkökomponenttien hoito-ohjeet

Sähkökomponentit kuten päävirtakatkaisimet, kaikki muut katkaisimet, liittimet eivät normaalisti vaadi huoltoa jos venettä talvisäilytetään kuivassa ja hyvin tuuletetussa paikassa. Jos kuitenkin haluat suojata veneen sähkökomponentteja hapettumista vastaan teet sen parhaiten suihkuttamalla ne kosteuden- ja korroosionestoaineella.

7.9. Pienet pintakorjaukset

Pienet pintavauriot veneen rungossa tai kannessa voit korjata itse. Siistin ja huomaamattoman lopputuloksen aikaansaaminen vaatii kuitenkin taitoa:

1. Suojaa korjattavan alueen ympäristö teipillä.
2. Hio kolhun reunat viistoiksi ja puhdistu asetonilla.
3. Jos vaurion syvyys on yli 2 mm kannatta täyttää kitillä ennen maalausta.
4. Sekoita topcoatiin 1.5-2% kovetinta.
5. Levitä topcoat korjattavaan kohtaan niin, että pinta jää hiukan ympäröivää pintaa korkeammalle.
6. Aseta varovasti teippi korjauksen päälle.
7. Topcoatoin kovetuttua irrota teippi ja tarvittaessa hio paikkaus siistiksi 600:n ja 1200:n vesihiomapaperilla.
8. Kiillota korjaus hiomatahnalla ja vahalla.

On hyvä tietää, että veneen valmistuksen yhteydessä on käytetty gelcoat-nimistä maalia, mutta jälkeinpäin pintaa korjataan kuitenkin aina topcoat-nimisellä maalilla. Gelcoat-maali ei kovetu ilman muottipintaa, mutta topcoatiin on lisätty parafiini, joka mahdollistaa kovettumisen.

HUOM!

Eräät jälkiasennukset ja muutostyöt voivat väärin tehtyinä aiheuttaa vahinkoa veneen rakenteelle tai olla vaaraksi turvallisuudelle. Ota yhteys jälleenmyyjää, mikäli suunnittelet muutoksia veneeseen.

7.10. Veneen talvisäilytys

Veneen talvitelakointi on Suomessa jokasyksyistä rutiinia. Nosta veneesi maihin hyvissä ajoin ennen jäiden tuloa. Venettä ei ole mitoitettu jäissä ajoa varten eikä tarkoitettu käytettäväksi alle 0°C lämpötiloissa (esim. sadevesityhjennysjärjestelmä jäätyy). Talvitelakoinnin yhteydessä on hyvä käydä läpi kaikki huolto-, korjaus- ja tarkistustoimet.

Tutustu moottorin ohjekirjassa esitettyihin huoltotoimiin. Suosittelemme, että annat ne valtuutetun huoltoliikkeen tehtäväksi. Muista myös kaukohallintalaitteen ja ohjauksjärjestelmän huoltotoimet. Suorita näiden huolto erillisten ohjeiden ja ohjekirjojen mukaisesti.

7.10.1. Toimenpiteet ennen talvisäilytystä

Pese veneen pohja heti maihin noston jälkeen. Levä ja lima irtoavat helpoimmin, kun ne eivät ole päässeet kuivumaan. Tyhjennä jäähdytysvesi moottorista ohjekirjan mukaisesti.

Tee moottorille ja muille laitteille talvihuolto erillisten ohjekirjojen mukaisesti. Jos varastoit veneesi talven yli ulkosalla tai kosteissa tiloissa, tyhjennä se teksteileistä ja muista varusteista, jotka voivat homehtua tai muuten mennä pilalle kosteudessa. Pese köydet makeassa vedessä. Uusi kuluneet köydet. Jätä läpivientien venttiilit auki. Irrota ja jätä tyhjennystulppa irti talven ajaksi.

Tarkista rungon kunto ja hio mahdolliset kolhut auki siten, että laminaattiin mahdollisesti tunkeutunut kosteus pääsee kuivumaan. Korjaa vauriot keväällä ennen veneen vesille laskua.

Peitä veneesi niin, ettei lunta pääse kertymään veneen sisälle. Huolehdi kuitenkin aina riittävästä tuuletuksesta. Lisävarusteena on saatavissa talvisuoja veneellesi.

7.10.2. Toimenpiteet ennen vesillelaskua keväällä

Korjatkaa tai korjauttakaa mahdolliset gelcoatissa olevat kolhut kohdan 7.9. "Pienet pintakorjaukset" mukaisesti.

Merialueilla tulee kasvillisuuden kiinnittyminen pohjaan estää antifouling-värillä. Pohjan ja erityisesti potkurin likaantuminen lisää polttoaineenkulutusta huomattavasti. Jos kuitenkin venettä säi-

lytetään joen suistossa tai Perämerellä, tai nostetaan vedestä vähintään noin kahden viikon välein, ei antifouling-väriä tarvita. Seuratkaa maalatessanne huolellisesti maalinvalmistajan ohjeita. Jos hiotte vanhaa myrkkväriä, muistakaa, että syntyvä hiomapöly tai -liete on myrkyllistä.

Järvialueella ei tarvita antifouling-väriä. Suosittelemme kuitenkin epoksi-primerin käyttöä jos vene on vedessä useita kuukausia joka vuosi. Makea vesi, erityisesti lämmin makea vesi imeytyy laminaattiin helpommin kuin merivesi.

HUOMI!

Älä maalaa sinkkianodeja eikä moottorin kipin hydraulisylinterien männänvarsia. Älä käytä alumiiniosissa kuparipitoisia maaleja. Seuraa maalinvalmistajan ohjeita.

Tee moottorin vaatimat huoltotoimet moottorin ohjekirjan mukaisesti. Tarkista sähkölaitteiden toiminta ja poista hapettumat sulakkeiden ym. liitoksista.

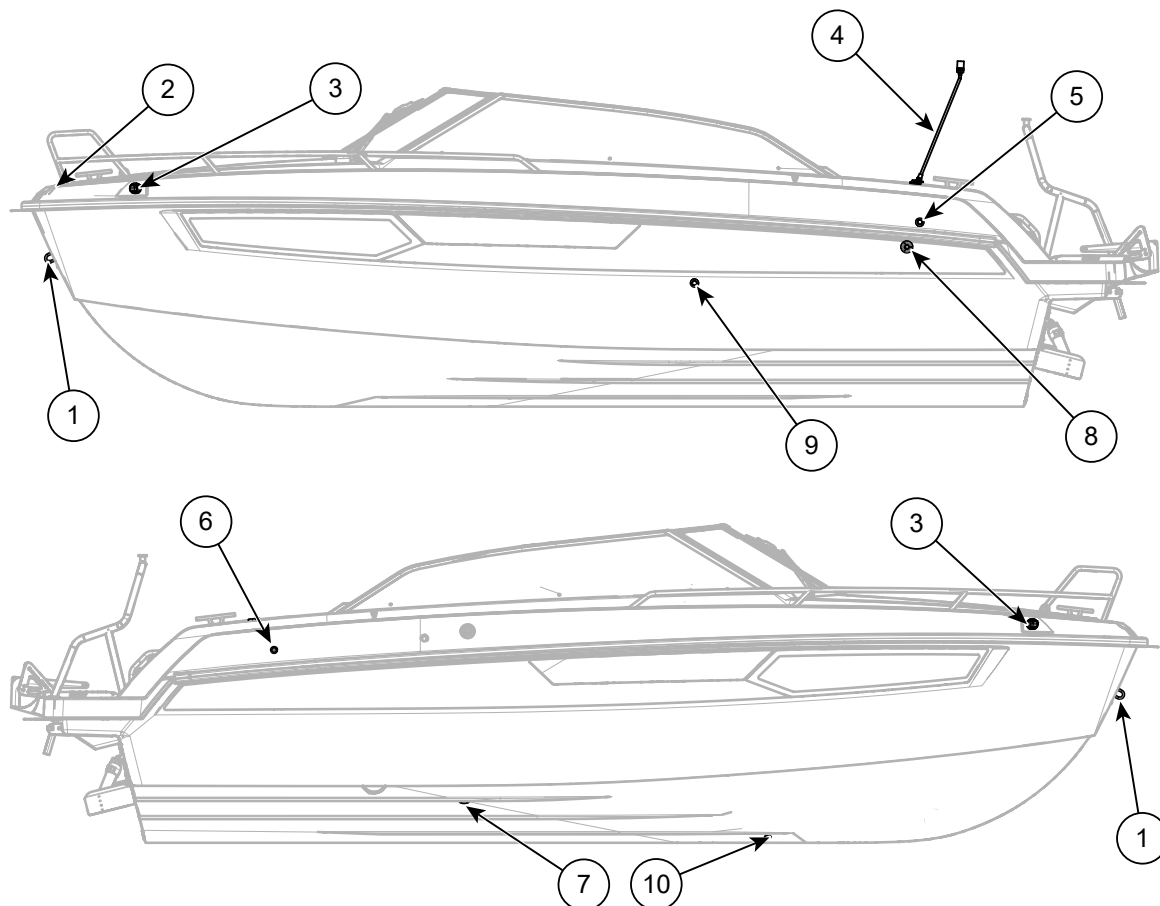
Muista, että bensiini vanhentuu, keväällä pitää aina käynnistää tuoreella bensiinillä.

Laskettuasi veneen vesille avaa kaikki läpivientien venttiilit ja tarkista, ettei letkuissa tai liittimissä ole vuotoja. Läpivientien sijainti on esitetty luvussa 5.7.1. "Rungon ja kannen läpiviennit sekä sulkuventtiilit". Tuo turvavarusteet veneeseen ennen vesille lähtöä.

8. Järjestelyt

8.1. Yleisjärjestely

Kuva: Yleisjärjestely sivulta



1. Keulalenkki
2. Lukitussilmukka
3. Kulkuvalot
4. Valomasto
5. Käsipilssipumpun tyhjennys
6. Automaattisen pilssipumpun tyhjennys
7. Septitankin veteen tyhjennys
8. Diesel lämmittimen pakoputki
9. Pesualtaan tyhjennysläpivienti
10. WC:n huuhteluveden sisäänottoläpivienti

VAROITUS!

Käsitelkää veneen luukkuja varoen ja välttääkää jättämästä sormianne tai varpaitanne niiden väliin.

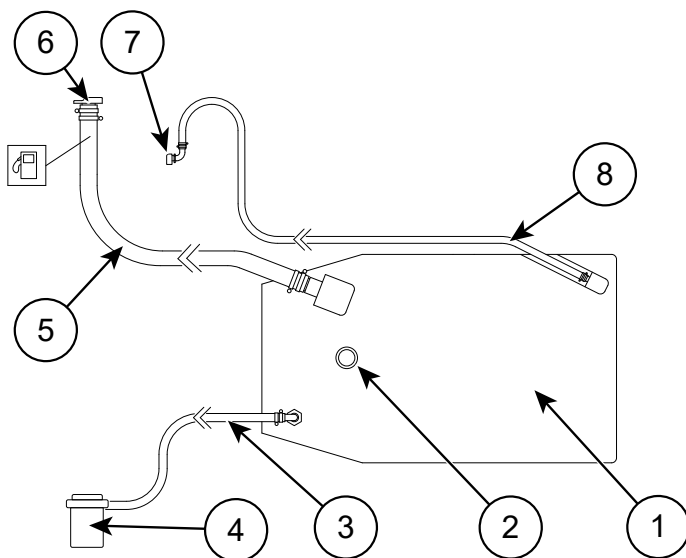
8.2. Polttoainejärjestelmä

Vene on varustettu kiinteällä polttoainesäiliöllä. Polttoainelinjaan on asennettu polttoainesuodatin, joka toimii myös vedenerottajana. Suodatin pitää vaihtaa ainakin kerran vuoteen. Kun uusi suodatin tai paikaltaan pois ollut suodatin on asennettu paikoilleen, täytyy polttoainelinja pumpata täyteen pallopumpulla ennen koneen käynnistämistä.

HUOM!

Polttoaineletkujen kunto on tarkistettava säännöllisin väliajoin ja on pyrittävä estämään niiden vaurioituminen. Vialliset polttoaineletkut on vaihdettava. Jos vaihdatte polttoainel- etkuja niin varmistakaa, että niissä on ISO 7840 -merkintä.

Kuva: Polttoainejärjestelmä



1. Polttoainetankki
2. Polttoainetankin anturi
3. Polttoainetankin anturi
4. Polttoainesuodatin
5. Polttoainetankin täyttöputki
6. Täyttöhela
7. Polttoainetankin huohotinhela
8. Polttoainetankin huohotinletku

Polttoainetankin täyttöhela on merkitty veneen kanteen  -symbolilla.

8.3. Ohjausjärjestelmä

Vene on varustettu hydrauliohjauksella. Hydrauliohjausjärjestelmän ominaisuuksiin kuuluu, että ratin asento muuttuu jatkuvasti ja siksi veneessä on symmetrinen ohjauspyörä.

Hydrauliohjaus ei normaalisti vaadi huoltoa. Jos ohjaus muuttuu "löysäksi", järjestelmässä on vuoto. Vuoto on välittömästi korjattava!

HUOM!

Jos vaihdat jonkun ohjausjärjestelmään kuuluvan komponentin sinun tulee tietää, että kaikkien komponenttien tulee täyttää ISO 10592 standardin vaatimukset ja olla CE-merkityjä.

VAROITUS!

Hydrauliohjausjärjestelmä, jossa on vuoto tai ilmaa, on hengenvaarallinen.

8.4. Sähköjärjestelmä

Sähköjärjestelmä sisältää seuraavat pääosat:

1. Käynnistysakku (ei vakiovaruste)
2. Johtosarja
3. 2 kpl päävirtakatkaisimia
4. Akkutilan sulaketaulu
5. 6 kpl katkaisijoita automaattisulakkeilla
6. 2 kpl 12-V ulosottoja
7. Kulkuvalot
8. Kansivalot
9. Tuulilasin pyyhin (oikea ja vasen puoli)
10. Makeavesipumppu
11. Kajuutan valot + katkaisijat
12. Jääkaappi
13. Liesi
14. Trimit

Lisäksi veneen sähköjärjestelmään kuuluu olennaisesti myös moottori, joka toimii sekä virran lähteenä että kuluttajana.

Jos irrotatte tai kiinnitätte akkuja, varokaa koskettamasta metalliesineellä samanaikaisesti akun molempia napoja.

Ladatkaa akkuja vain veneeseen asennetulla tai vastaavantehoisella akkulaturilla. Lataaminen liian suurella virralla aiheuttaa räjähdysvaaran.

Älkää muuttako veneen sähköjärjestelmää tai siihen liittyviä piirustuksia; muutokset ja huollot tulee jättää ammattilaisen tehtäväksi.



**Yamarin 67 Day Cruiser
Användarhandbok**

FÖRORD

Bästa båtägare av Yamarin båt! Vi tackar Dig för att ha valt en Yamarin!

Syftet med denna handbok är att hjälpa Dig använda Din båt säkert och angenämt. Handboken innehåller detaljerade beskrivningar av båtens utrustning och system samt information om användande och skötsel av båten. Vi uppmanar Dig att läsa handboken noga och att bekanta Dig med Din båt före Du tar den i bruk.

Ägarens handbok är naturligtvis inte en kurs i sjömanskap eller båtsäkerhet. Försäkra Dig om att skaffa erfarenhet av hantering och användning av båten innan Du tar ansvaret som båtens befälhavare ifall detta är Din första båt, eller om Du bytt till en båttyp Du ännu inte känner till. Återförsäljaren, båtklubbarna, eller de nationella båtförbunden ger gärna information om lokala båtskolor.

Ägarens handbok är inte en detaljerad instruktionsbok för underhåll eller felsökning. Tag kontakt med återförsäljaren i svåra fall. Se alltid till att kompetenta och skolade personer sköter båtens service, reparation och ändringsarbete. Sådana förändringar som kan ha inverkan på båtens säkerhetsgenskaper, skall bedömas, genomföras och dokumenteras av kompetenta personer. Båttillverkaren är inte ansvarig för förändringar som han inte har godkänt.

Håll alltid Din båt i gott skick och ta i beaktande att båten behöver underhåll och service. Vilken båt som helst - oberoende hur hållbar den är - kan skadas betydligt, ifall den missbrukas. Anpassa alltid båtens fart och kurs i förhållande till vågförhållandena.

Vi rekommenderar att alla ombord på båten använder flytväst eller .

Vi önskar Er många trevliga stunder till sjöss med Er Yamarin båt!

Inhan Tehtaat, Inha Works
Hahdenniementie 2
FI-21120 Raisio
Finland

www.yamarin.com

FÖRVARA DENNA HANDBOK PÅ ETT SÄKERT STÄLLE OCH GE DEN VIDARE TILL NÄSTA ÄGARE, IFALL NI SÄLJER BÅTEN

Innehållsförteckning

1.	Allmänt	73
2.	Definitioner	73
3.	Garanti	73
4.	Innan båten tas i bruk	73
4.1.	Registrering	73
4.2.	Försäkringar	74
4.3.	Utbildning	74
5.	Båtens egenskaper och användning	74
5.1.	Basfakta om båten	74
5.2.	Tillverkarskylt	75
5.3.	Teknisk specifikation	75
5.4.	Högsta rekommenderade antal personer	76
5.5.	Belastning	76
5.6.	Motor och propeller	77
5.7.	Förhindrande av vatteninträngning och stabilitet	77

5.7.1.	Skrov- och däcksgenomföringar samt avstängningsventiler	77
5.7.2.	Stabilitet och flytbarhet	79
5.8.	Förebyggande av brand och explosionsrisk	79
5.8.1.	Brandskydd	79
5.8.2.	Tankning	80
5.9.	Övriga system som förbrukar bränslen (spis och värmare)	80
5.9.1.	Värmare	81
5.9.2.	Spis	81
5.10.	Huvudbrytare och säkringar	81
6.	Rätt användning – övriga rekommendationer och anvisningar	82
6.1.	Manöverreglage	82
6.2.	Nödstopp	82
6.3.	Växlar och gas	83
6.4.	Justering av motorns riggvinkel	83
6.5.	Start av motorn	84
6.6.	Körning	85
6.7.	Till och från bryggan	85
6.8.	Användning av kapell	86
6.9.	Dörr i vindrutan	86
6.10.	Däckslucka	87
6.11.	Trappsteg, vindrutans vassa hörn och ruffdörren	87
6.12.	Man överbord	87
6.13.	Säkring av lös utrustning	88
6.14.	Hänsyn till miljön	88
6.15.	Användning av toalett och septiktank	88
6.16.	Förtöjning och ankring	89
6.17.	Bogsering	90
6.18.	Transport på trailer	90
6.19.	Sliptagning	91
7.	Underhåll av båt och utrustning	92
7.1.	Tvätt och vaxning av båten	92
7.2.	Skötselansvisningar för sittdynorna	92
7.3.	Skötselansvisningar för kapellet	93
7.4.	Skötselansvisningar för vindrutan	93
7.5.	Skötselansvisningar för syrafasta delar	93
7.6.	Skötselansvisningar för det elektriska fjärreglaget	93
7.7.	Skötselansvisningar för styrsystemet	93
7.8.	Skötselansvisningar för elkomponenterna	93
7.9.	Små ytreparationer	93
7.10.	Vinterförvaring av båten	94
7.10.1.	Åtgärder före vinterförvaring	94
7.10.2.	Åtgärder på våren före sjösättning	94
8.	Layout	95
8.1.	Allmän layout	95
8.2.	Bränslesystem	96
8.3.	Styrsystem	96
8.4.	Elsystem	97
9.	Kopplingschema	98



**FÖRSÄKRAN OM ÖVERENSSTÄMMELSE FÖR FRITIDSBÅT GÄLLANDE
KONSTRUKTIONS-, TILLVERKNINGS- OCH BULLERKRAV ENLIGT DIREKTIV 2013/53/EU**
(Ifylls av tillverkaren eller tillverkarens utsedda representant)

Båttillverkarens namn: Inhan Tehtaata Oy Ab, Inha Works Ltd.

Adress: Hahdenniementie 2

Stad: Raisio **Postnummer:** 21120 **Land:** Finland

Den utsedda representantens namn (i förekommande fall) : _____

Adress: _____

Stad: _____ **Postnummer:** _____ **Land:** _____

Kontrollförfarande för konstruktion och tillverkning: A A1 B+C B+D B+E B+F G H

Anmält organ vid kontroll av konstruktion och tillverkning (i förekommande fall) : DNV GL SE

Adress: Brooktorkai 18

Stad: Hamburg **Postnummer:** 20416 **Land:** Germany **Identifikationsnr:** 0098

Det anmälda organets intyg/rapport¹: RCDB00000CJ **Datum:** 04.02.2021

Kontrollförfarande för buller (i förekommande fall): A A1 G H

Anmält organ vid kontroll av buller (i förekommande fall): _____

Adress: _____

Stad: _____ **Postnummer:** _____ **Land:** _____ **Identifikationsnr:** _____

Det anmälda organets intyg/rapport¹: _____ **Datum:** _____

Andra EU-direktiv som tillämpats: _____

BESKRIVNING AV FRITIDSBÅTEN:

Båtens identifikationsnummer: FI - YAM48

Båtmärke: Yamarin **Modell, typ eller nummer:** 67 Day Cruiser

Konstruktionstyp
: Hård Uppblåsbar Uppblåsbart skrov med fast botten (RIB) **Huvudsakligt framdrivningsätt:** Segel med area, _____ m²

Skrovsconfiguration: Enkelskrov Flerskrov Människokraft Motordrift Annat, specificera: _____

Skrovmaterial
: Aluminium, -legeringar Fiberarmerad hårdplast **Installerad motortyp:** Dieselmotor Bensinmotor Gasdriven förbränningsmotor Elektrisk Annat, specificera: _____

Stål, -legeringar Trä Annat, specificera: _____

Fritidsbåtar
Konstruktionskategorier när de beror av max personantal

Kategori	Person- antal	Max last (kg)
A		
B		
C	8	791
D		

Längd L_H 6,76 m

Bredd B_H 2,55 m

Djupgående T: _____ m

Däck: Heldäckad Delvis däckad Öppen

Kraftöverföringsprincip : Utombordsmotor Inombordsmotor med stel axel INU Pod-drev Segelbåtsdrev Annat, specificera: _____

Annat, specificera: _____

Annat, specificera: _____

Annat, specificera: _____

Annat, specificera: _____

Annat, specificera: _____

Annat, specificera: _____

Framdrivningssystem med integrerat avgassystem : Ja Nej

Maximal rekommenderad motoreffekt: 186,4 kW

Installerad motoreffekt: _____ kW

Antal framdrivningsmotorer: 1 #

Maximal rekommenderad motorvikt²: 313 kg

Denna försäkrans om överensstämmelse är utfärdad på tillverkarens eget ansvar. Jag försäkras på uppdrag av tillverkaren att nämnda fritidsbåt uppfyller kraven i Artikel 4 (1) och Bilaga I i direktiv 2013/53/EU.

Namn och befattning: Christopher Sjöblom, CEO **Signatur och titel:**
(identifiering av den person som är bemyndigad att skriva på för tillverkaren eller hans representant) (or an equivalent marking)

Ort och datum (dag-mån-år) för utfärdande: 04/02/2021

¹ Dokumentet kan ha olika namn beroende på vilket kontrollförfarande som använts

² Endast för båtar för utombordsmotor

Väsentliga Krav (hänvisning till relevanta artiklar i bilaga IA & IC i Direktivet)	Harmonised standards Full Application	Harmonised standards Partial application, see tech. file	Other reference documents ³ Full Application	Other reference documents Partial Application, see tech. file	Other proof of conformity See technical file	Ange harmoniserad standard eller referens till annat regelverk (inklusive utgivningsår ex "EN ISO 8666:2002")
	Endast en ifylld ruta per rad					
Allmänna krav (2)						
Huvuddata	<input checked="" type="checkbox"/>					ISO 8666:2018
Identifiering av vattenfarkoster (2.1)	<input checked="" type="checkbox"/>					EN ISO 10087:2006
Vattenfarkostens tillverkarskylt (2.2)	<input checked="" type="checkbox"/>	<input type="checkbox"/>	<input type="checkbox"/>	<input type="checkbox"/>	<input type="checkbox"/>	2013/53/EU1A-2.2
Skydd mot fall överbord och hjälpmedel för att åter ta sig ombord (2.3)	<input checked="" type="checkbox"/>	<input type="checkbox"/>	<input type="checkbox"/>	<input type="checkbox"/>	<input type="checkbox"/>	EN ISO 15085:2003+A2:2018
Synfält från huvudsaklig styrplats (2.4)	<input checked="" type="checkbox"/>	<input type="checkbox"/>	<input type="checkbox"/>	<input type="checkbox"/>	<input type="checkbox"/>	EN ISO 11591: 2016
Instruktionsbok (2.5)	<input checked="" type="checkbox"/>	<input type="checkbox"/>	<input type="checkbox"/>	<input type="checkbox"/>	<input type="checkbox"/>	EN ISO 10240:2004 + A1 2015
Krav på integritet och skrovstyrka (3)						
Skrovstyrka (3.1)	<input checked="" type="checkbox"/>	<input type="checkbox"/>	<input type="checkbox"/>	<input type="checkbox"/>	<input type="checkbox"/>	EN ISO 12215-1:2018, EN ISO 12215-2:2018, EN ISO 12215-3:2018, EN
Stabilitet och fribord (3.2)	<input checked="" type="checkbox"/>	<input type="checkbox"/>	<input type="checkbox"/>	<input type="checkbox"/>	<input type="checkbox"/>	EN ISO 12217-1:2017, EN ISO 12217-3:2017
Flytkraft och flytmedel (3.3)	<input checked="" type="checkbox"/>	<input type="checkbox"/>	<input type="checkbox"/>	<input type="checkbox"/>	<input type="checkbox"/>	EN ISO 12217-1:2017, EN ISO 12217-3:2017
Öppningar i skrov, däck och överbyggnad (3.4)	<input checked="" type="checkbox"/>	<input type="checkbox"/>	<input type="checkbox"/>	<input type="checkbox"/>	<input type="checkbox"/>	EN ISO 9093-1:2018, EN ISO 12216:2018
Inträngande vatten (3.5)	<input checked="" type="checkbox"/>	<input type="checkbox"/>	<input type="checkbox"/>	<input type="checkbox"/>	<input type="checkbox"/>	EN ISO 11812:2018, EN ISO 15083:2018
Tillverkarens rekommenderade maximala last (3.6)	<input checked="" type="checkbox"/>	<input type="checkbox"/>	<input type="checkbox"/>	<input type="checkbox"/>	<input type="checkbox"/>	EN ISO 14946:2001 / AC:2005
Förvaring av lifflottar (3.7)	<input checked="" type="checkbox"/>	<input type="checkbox"/>	<input type="checkbox"/>	<input type="checkbox"/>	<input type="checkbox"/>	RCD Annex I 3.7
Utrymning (3.8)	<input type="checkbox"/>	<input type="checkbox"/>	<input type="checkbox"/>	<input type="checkbox"/>	<input type="checkbox"/>	
Ankring, förtöjning och bogsering (3.9)	<input checked="" type="checkbox"/>	<input type="checkbox"/>	<input type="checkbox"/>	<input type="checkbox"/>	<input type="checkbox"/>	EN ISO 15084:2018
Manöveregenskaper (4)	<input checked="" type="checkbox"/>	<input type="checkbox"/>	<input type="checkbox"/>	<input type="checkbox"/>	<input type="checkbox"/>	EN ISO 11592-1:2016
Motorer och motorrum (5.1)						
Inombordsmotor (5.1.1)	<input type="checkbox"/>	<input type="checkbox"/>	<input type="checkbox"/>	<input type="checkbox"/>	<input type="checkbox"/>	
Ventilation (5.1.2)	<input type="checkbox"/>	<input type="checkbox"/>	<input type="checkbox"/>	<input type="checkbox"/>	<input type="checkbox"/>	
Friliggande delar (5.1.3)	<input type="checkbox"/>	<input type="checkbox"/>	<input type="checkbox"/>	<input type="checkbox"/>	<input type="checkbox"/>	
Utombordsmotor (5.1.4)	<input type="checkbox"/>	<input type="checkbox"/>	<input type="checkbox"/>	<input type="checkbox"/>	<input type="checkbox"/>	
Bränslesystem (5.2)						
Allmänt - bränslesystem (5.2.1)	<input checked="" type="checkbox"/>	<input type="checkbox"/>	<input type="checkbox"/>	<input type="checkbox"/>	<input type="checkbox"/>	EN ISO 8469:2021, EN ISO 10088:2013, EN ISO 21487:2012/A1:2014
Bränsletankar (5.2.2)	<input checked="" type="checkbox"/>	<input type="checkbox"/>	<input type="checkbox"/>	<input type="checkbox"/>	<input type="checkbox"/>	EN ISO 21487:2012+A2:2015
Elektriska system (5.3)	<input checked="" type="checkbox"/>	<input type="checkbox"/>	<input type="checkbox"/>	<input type="checkbox"/>	<input type="checkbox"/>	EN ISO 8849:2018, EN ISO 10133:2012, EN ISO 13297:2018
Styrsystem (5.4)						
Allmänt - styrsystem (5.4.1)	<input checked="" type="checkbox"/>	<input type="checkbox"/>	<input type="checkbox"/>	<input type="checkbox"/>	<input type="checkbox"/>	EN ISO 8847:2017, EN ISO 10592:2017, EN ISO 25197:2012+A1:2014, E
Nödutrustning (5.4.2)	<input type="checkbox"/>	<input type="checkbox"/>	<input type="checkbox"/>	<input type="checkbox"/>	<input type="checkbox"/>	
Gassystem (5.5)	<input type="checkbox"/>	<input type="checkbox"/>	<input type="checkbox"/>	<input type="checkbox"/>	<input type="checkbox"/>	
Brandskydd (5.6)						
Allmänt - brandskydd (5.6.1)	<input checked="" type="checkbox"/>	<input type="checkbox"/>	<input type="checkbox"/>	<input type="checkbox"/>	<input type="checkbox"/>	EN ISO 9094:2017
Brandskyddsutrustning (5.6.2)	<input checked="" type="checkbox"/>	<input type="checkbox"/>	<input type="checkbox"/>	<input type="checkbox"/>	<input type="checkbox"/>	EN ISO 9094:2017
Navigationsljus, signalfigurer och ljudsignaler (5.7)	<input checked="" type="checkbox"/>	<input type="checkbox"/>	<input type="checkbox"/>	<input type="checkbox"/>	<input type="checkbox"/>	EN ISO 16180:2018, 1972 COLREG
Avfallshantering (5.8)	<input type="checkbox"/>	<input type="checkbox"/>	<input type="checkbox"/>	<input type="checkbox"/>	<input type="checkbox"/>	
Annex I.B - Avgasutsläpp⁵						
Annex I.C - Bullerkrav⁶						
Bullernivåer (I.C.1)	<input type="checkbox"/>	<input type="checkbox"/>	<input type="checkbox"/>	<input type="checkbox"/>	<input type="checkbox"/>	
Ägarens instruktionsbok (I.C.2)	<input type="checkbox"/>	<input type="checkbox"/>	<input type="checkbox"/>	<input type="checkbox"/>	<input type="checkbox"/>	

³ Såsom ej harmoniserade standarder, regler, anvisningar etc

⁴ Standarder publicerade

⁵ Se motortillverkarens försäkring om överensstämmelse

⁶ Bara för att slutföras för båtar med inombordsmotorer eller Aquamatic motorer utan inbyggt avgassystem

INNAN DU KASTAR LOSS

Kontrollera alltid följande saker innan beger dig ut på sjön:

Väderlek och väderleksprognos

Tag alltid i beaktande vinden, vågorna och sikten. Är båtens båtkategori, storlek och utrustning samt befälhavarens och besättningens färdigheter tillräckliga för det vattenområde dit du är på väg? I hård vind och i stora vågor skall luckor och dörrar vara stängda för att förhindra vatten att komma in i båten.

Belastning och stabilitet

Överbelasta inte båten och fördela lasten rätt. Placera inte tunga föremål för högt uppe, så att båtens stabilitet försämras. Tänk även på att stabiliteten försämras om personerna står i båten under körning.

Passagerare

Försäkra om att det finns flytplagg eller räddningsväst åt alla ombordvarande. Kom överens om uppgiftsfördelningen före avfärd.

Bränsle och bränslesystem

Kontrollera att det finns tillräckligt med bränsle. Tänk på att grov sjö inverkar på bränsleförbrukningen och att den kan öka med över 30 % i jämförelse till lugnt väder. Som tumregel gäller att det bör finnas minst 20 % kvar av tankinnehållet då du kommer fram till ditt mål. Kom även ihåg att kontrollera bränslefiltret att det inte finns vatten i den genomskinliga vattenskiljaren under själva filtret. Filtret skall bytas ut 1-2 gånger per år beroende på körtimmar och bensinkvalitet.

Motorn och manövreringutrustningen

Kontrollera funktionen och skicket på styrningenfjärreglagetbatteriet och utför kontrollåtgärderna enligt motorns instruktionsbok.

Båtens sjöduglighet

Kontrollera båtens sjöduglighet; inga bränsle- eller vattenläckage får finnas, säkerhetsutrustningen skall vara med osv. Kontrollera att Fästandet av föremål

Kontrollera att alla föremål är placerade så, att de hålls på sin plats även i sjögång. Notera att sittdynorna lätt kan flyga iväg ifall knäppena inte är fastsatta.

Sjökort

Ifall du inte färdas längs en rutt som du känner till, se till att det finns sjökort på ett tillräckligt stort område ombord. Om din båt är utrustad med kartplotter, lär dig använda den innan du åker ut på sjön. Sjökorten bör vara av senaste upplaga.

Startmanövrerna

Kom överens med besättningen om vem som tar loss vilket rep osv. Kontrollera att förtöjnings eller ankarlina inte hamnar i propellern under avgång eller förtöjning.

Obligatorisk utrustning

Kraven på obligatorisk utrustning varierar från land till land. Ta reda på vad som gäller för båt.

Tilläggsinstruktioner gällande utombordsmotorn hittar du i motorns egen instruktionsbok.

1. Allmänt

Användarhandboken hjälper dig att lära känna din båts egenskaper, skötsel och service. Den utrustning som är installerad i båten har egna bifogade instruktionsböcker och på flera ställen i handboken hänvisas till dem. Du kan naturligtvis komplettera handboken med instruktionsböckerna för sådan utrustning som köps senare. Det finns utrymme för egna anteckningar i slutet av handboken.

Syftet med användarhandboken är inte att vara en fullständig service eller reparationshandbok, utan att vägleda användaren i korrekt användning av båten.

I handboken kan det finnas bilder och illustrationer som hänvisar till extrautrustning eller land-specifika utrustning.

Båten har en löpande serienummer, CIN-kod (Craft Identification Number). CIN-koden finns på båtens akterspegel på styrbords sida under badplattformen. Vi rekommenderar att du antecknar CIN-koden på följande sida i anslutning till försäkran om överensstämmelse. Ange CIN-koden och båttypen vid kontakter med återförsäljaren för att vara säker på att få rätta reservdelar.

2. Definitioner

Varningar och anmärkningar i denna handbok är definierade på följande sätt:

FARA!

Betyder att det finns ett allvarligt faromoment, som med stor sannolikhet leder till död eller permanent handikapp, om inte lämpliga säkerhetsåtgärder vidtas.

VARNING!

Betyder att det finns ett faromoment, som kan leda till kroppsskada eller död, om inte lämpliga säkerhetsåtgärder vidtas.

OBS!

Markerar en påminnelse om säkert tillvägagångssätt och fäster uppmärksamhet vid farliga tillvägagångssätt, som kan leda till kroppsskada, skador på båten eller dess delar eller orsaka skador på miljön.

I handboken används enheter enligt SI-systemet. I vissa fall har andra enheter angetts inom parentes. Ett undantag utgör vindhastigheten som anges i beaufort i fritidsbåtsdirektivet.

3. Garanti

För båten och dess utrustning gäller 2 års garanti från det datum då båten tas i bruk. Kontakta återförsäljaren i eventuella garantiärenden. Kom ihåg att ange CIN-koden. Ta digitalbild av det som du vill reklamera, om möjligt. Det ger snabbare behandling av garantiärenden.

4. Innan båten tas i bruk

4.1. Registrering

Bestämmelserna för registrering varierar från land till land. Ta reda på vilka nationella bestämmelser som gäller för din båt. Det kan även finnas bestämmelser till exempel om båtförarens ålder.

4.2. Försäkringar

En båtförsäkring kan täcka olyckor som sker på sjön, vid transport eller dockning. Se särskilt till att försäkringsansvaret gäller vid upptagning av båten. En försäkring kan också ha en indirekt påverkan på säkerheten till sjöss. Vid en allvarlig olycka till sjöss kan du då framförallt koncentrera dig på att rädda människor.

Försäkringsbolagen ger närmare information om olika försäkringsalternativ. Se särskilt till att försäkringsansvaret inkluderar upptagning och transport av båten!

4.3. Utbildning

Det finns gott om litteratur som behandlar båtar och sjömanskap. Navigeringskurser arrangeras av båtorganisationer och t.ex. studiecirkel.

Uppgifter om båtkurser lämnas av båtorganisationerna.

Kurserna ger goda grundläggande färdigheter, men säkerhet i båtens hantering, navigering, förtöjning och ankring får du först genom praktisk övning under lång tid.

5. Båtens egenskaper och användning

5.1. Basfakta om båten

Fritidsbåtar kan konstrueras enligt fyra båtkategorier (A, B, C och D) i fritidsbåt direktivet 2013/53/EU. Båten är konstruerad enligt båtkategori C. Nedan förklaras vad som avses med olika båtkategorier.

Kategori A:

Båten är konstruerad för användning i förhållanden då vindstyrkan kan överstiga 8 beaufort (ca 21 m/s) och den signifikanta våghöjden (se anmärkningen nedan) 4 meter. Båtarna ska i detta fall kunna klara sig i stort sett själva. Kategorin omfattar inte exceptionella förhållanden, t.ex. orkaner. Sådana förhållanden som beskrivs ovan kan man råka ut för under långfärder, till exempel när oceaner korsas, eller nära kusten om vinden och sjögången kan byggas upp under flera hundra sjömil öppet hav.

Kategori B:

Båten är konstruerad för användning i förhållanden då vindstyrkan är högst 8 beaufort (ca 21 m/s) och den signifikanta våghöjden (se anmärkningen nedan) högst 4 meter. Sådana förhållanden som beskrivs ovan kan uppkomma vid tillräckligt långa färder över öppet hav, eller i kustnära vatten där vinden och sjögången kan byggas upp under flera tiotals sjömil. Förhållandena ovan kan också förekomma på insjöar som är tillräckligt stora för att utveckla en sådan våghöjd.

Kategori C:

Båten är konstruerad för användning i förhållanden då vindstyrkan är högst 6 beaufort (ca 14 m/s) och den signifikanta våghöjden (se anmärkningen nedan) högst 2 meter. Sådana förhållanden kan förekomma på öppna insjöar, i älvmynningar och i kustnära vatten vid måttliga väderförhållanden.

Kategori D:

Båten är konstruerad för användning i förhållanden då vindstyrkan är högst 4 beaufort (ca 8 m/s) med motsvarande sjögång, vilket innebär en signifikant våghöjd på högst 0,3 meter, sporadiska vågor med 0,5 meters höjd. Sådana förhållanden kan förekomma på skyddade insjöar och på kustnära vatten vid fint väder.

Anmärkning:

Den signifikanta våghöjden är en term som används vid konstruktion av båtar. I praktiken innebär detta att den signifikanta våghöjden beräknas som medelvärdet i våghöjd på den högsta tredjedelen av de uppmätta vågornas inom vattenområdet. Om den signifikanta våghöjden är 2,0 meter så är medelhöjden på alla vågor cirka 1,2 meter.

Rekommenderad maximal belastning:

Se den tekniska specifikationen
Se också avsnittet 5.4 "Belastning".

Huvudmått och kapaciteter:

Se den tekniska specifikationen
Båtens längd, bredd, djup, totalvikt osv. samt tankkapaciteterna anges i den tekniska specifikationen.

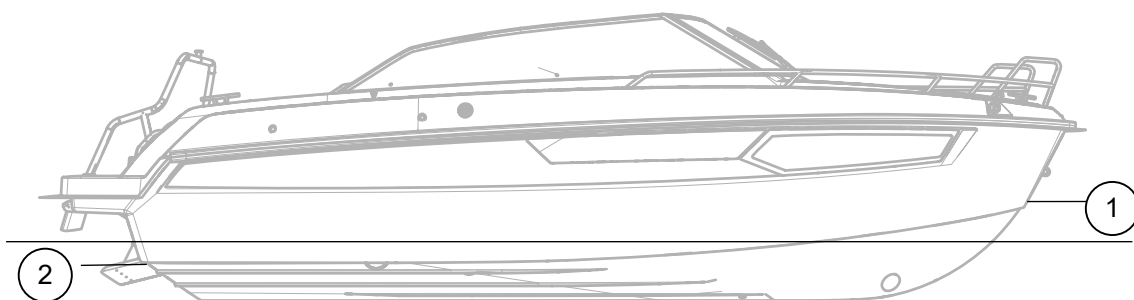
5.2. Tillverkarskylt

Tillverkarskylten är fäst invid båtens fjärreglage och innehåller en del av informationen ovan. Kompletterande information finns i de relevanta avsnitten i denna handbok.

5.3. Teknisk specifikation

Modell	Yamarin 67 Day Cruiser
Design kategori	C
Total längd	6,76 m
Bredd	2,55 m
Vikt av båten	1686 kg
Maximalt antal personer	8
Maximal belastning på byggarens skylt (CE-tecken)	791 kg Inklusive personer 8 x 75 kg = 600 kg + personlig utrustning 130 kg + grundläggande utrustning 20 kg + livflotte 40kg
Maximal motoreffekt	186,4 kW / 250 hp
Vikt av största rekommenderade motorn	313 kg
Bränsletankens kapacitet	195 l
Förslag	m
Höjd, från köl till toppen av vindrutan	m
Nått fart vid båttest	Ca 45 knop

Bild: Båtens vattenlinje



Vattenlinje:	
Akterkanten	160 mm från slagets hörn rakt uppåt (2)
Fören	500 mm från slaget nedåt längs fören (1)

OBS!

Måtten anger övre gränsen för antifoulingfärgen och inte båtens faktiska vattenlinje.

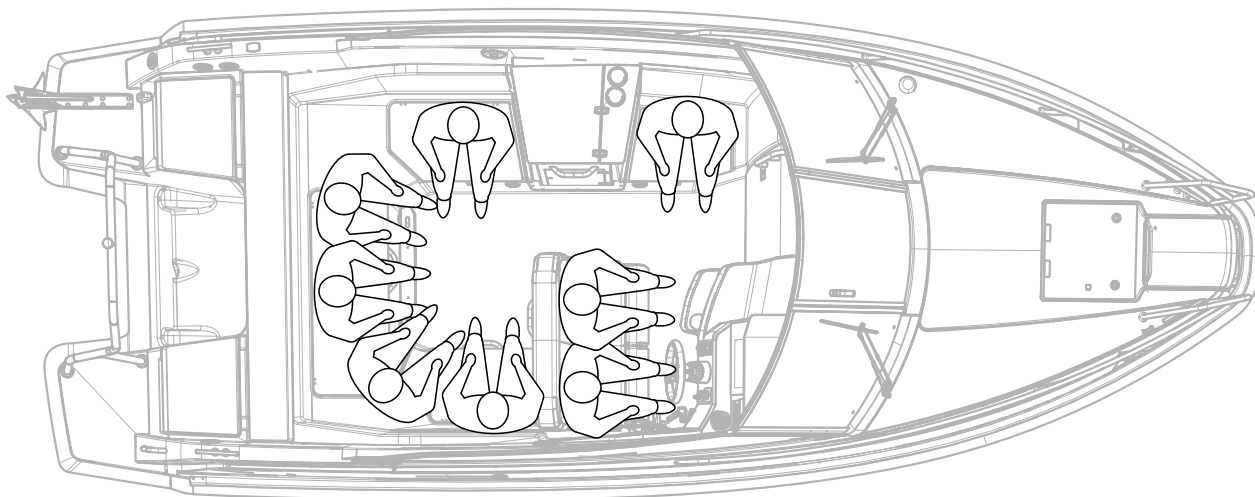
5.4. Högsta rekommenderade antal personer

Högsta rekommenderade antal personer i båten är 8 personer.

VARNING!

Undvik att överskrida det högsta rekommenderade antalet personer. Oberoende av antalet personer i båten får inte den totala vikten av personerna och utrustningen överskrida den maximala rekommenderade lasten (se avsnitt 5.4 "Belastning"). Använd alltid de säten eller sittplatser som finns i båten. Under gång ska alla personer i båten sitta på sittplatserna.

Bild: Sittplatser i båten



5.5. Belastning

Största tillåtna belastning av båten är 1006 kg. Följande vikter beräknas ingå i lasten:

- a) totalvikten för personerna ombord 600 kg (en vuxen person antas väga 75 kg och ett barn 37,5 kg)
- b) vikten på vätskor (färskvatten, septiktanken, bränsle etc.) i fasta tankar 215 kg
- c) vikten på personlig utrustning (t.ex. fritidsutrustning och övernattningsutrustning) 130 kg
- d) grundläggande utrustning 18 kg

e) livflotte 40kg

OBS!

Den största rekommenderade lasten innehåller endast dessa viktkomponenter.

VARNING!

Den maximala rekommenderade belastningen får inte överskridas när båten lastas. Lasta alltid båten omsorgsfullt och tänk på att fördela lasten så att båten flyter horisontellt. Normalt ska tunga saker placeras i stuvutrymmet under akterbänken. Om antalet personer ombord motsvarar det maximala antalet ska tunga föremål placeras i främre ruffen för att undvika aktertung båt. Undvika att placera tunga föremål högt.

5.6. Motor och propeller

Den största rekommenderade motoreffekten för båten är 250hk (186,4 kW). Båten får inte användas med större motoreffekt än den som är angiven i kW på CE-skylden. Båtens garanti upphör att gälla om motoreffekten är större än den som är angiven på CE-skylden. Följ återförsäljarens anvisningar vid valet av propeller.

OBS!

Undvik att vända motorn när luckan över motorbrunnen ligger an mot motorkåpan. Garantin täcker inte skador som luckan över motorbrunnen orsakar motorkåpan.

5.7. Förhindrande av vatteninträngning och stabilitet

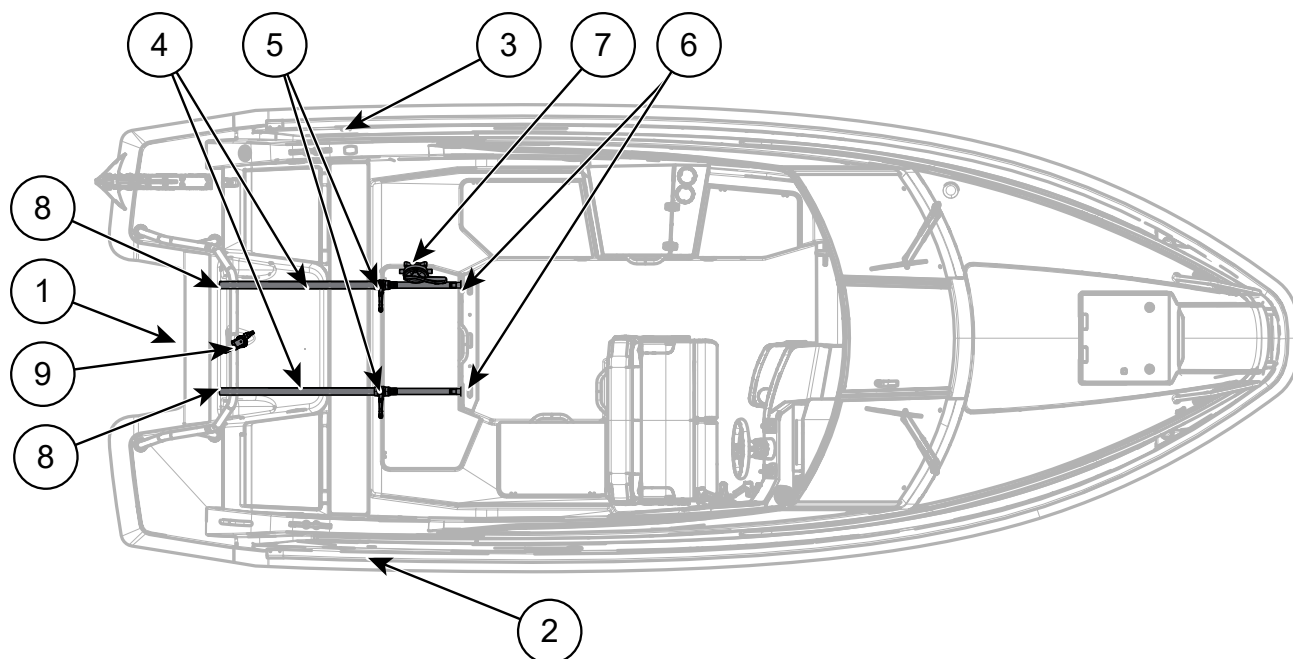
5.7.1. Skrov- och däcksgenomföringar samt avstängningsventiler

Båten är försedd med ett självlänssystem som innebär att sittbrunnen töms på regnvatten när båten ligger i sjön. Självlänsen fungerar också på land om fören ligger högre än aktern och dräneringsventilen för regnvatten är öppen. Dräneringsventilen för regnvatten är placerad under akterbänkens mittlucka. Ventilen ska endast vara stängd när båten är lastad med största rekommenderade last för att förhindra att vatten tränger in. I övriga fall ska ventilen alltid vara öppen så att regnvattnet dräneras ur båten.

Båten är utrustad med två länsumpar på de platser som visas på bilden nedan. Den eldrivna länsumpens kapacitet är ca 65 l/min och den manuella pumpens kapacitet ca 0,5 l/slag.

Båten är utrustad med ett varningssystem för högt pilsvatten, som varnar för vatten i pilsen. Systemet består av en nivågivare i pilsen och en varningslampa i instrumentbrädan.

Bild: Båtens dräneringssystem



1. Avloppsplugg för lådkammare
2. Automatisk läns pumpens avloppsport
3. Manuellt manövrerad läns pumpens avloppsport
4. Öppna avlopp
5. Öppna utrymme avloppsventil för pump och sensor
6. Öppna avloppsöppningen
7. Manuell läns pump
8. Avslutande flik
9. Elektrisk länge

Båtgägaren ansvarar för att minst ett öskar eller en hink medförs i båten och att dessa är säkrade så att de inte försvinner.

VARNING!

Läns pumpssystemet är inte dimensionerat för att klara av läckage orsakade av grundstötning eller annan motsvarande skada (skrovskador).

SÄKERHETSÅTGÄRD!

Kontrollera regelbundet att inga föroreningar blockerar mynningen på slangarna till läns pumparna. Den eldrivna läns pumpen kan kontrolleras genom att ta bort den stora plywoodskivan under akterbänken (= luckan till tankutrymmet). Därefter kan läns pumpen lyftas ut med grepp runt slangen eftersom den ligger löst i ett fack. Mynningen till den manuella läns pumpens slang är placerad mellan bränsletanken och akterspegeln. Även den kan kontrolleras genom att ta bort den stora plywoodskivan under akterbänken.

VARNING!

Stäng dräneringsröret när öppningen på insidan kontinuerligt befinner sig under vattenlinjen på grund av båtens last. Endast vid backning förhindrar spärrklaffen vid utloppsöppningen på akterspegeln att vatten tränger in!

OBS!

Se till att vattnet obehindrat kan rinna ut genom dräneringsröret. Eventuellt skräp, t.ex. löv på hösten, kan hindra vattnet från att rinna ut och då kan båten vattenfyllas och sjunka. Dräneringssystemet fungerar inte i köld.

OBS!

Det samlas alltid en liten mängd kondensvatten i mellanbotten. Även skrovgenomföringarna kan läcka en aning vatten, särskilt när båten blir gammal. Kom ihåg att kontrollera

om det finns slagvatten i slaget innan du lämnar båten förtöjd vid en brygga eller boj och innan du kastar loss. Låt ett auktoriserat serviceföretag åtgärda eventuella läckage.

VARNING!

Båtens köregenskaper kan ändras och bli livsfarliga om det finns slagvatten i båten.

VARNING!

Skrovfönstren i båten ska hållas stängda under färd. Stäng också skrovfönstren när båten lämnas förtöjd vid en brygga eller boj. Under svåra väderförhållanden ska luckor, fack och dörrar hållas stängda för att minimera risken för inträngande vatten.

5.7.2. Stabilitet och flytbarhet

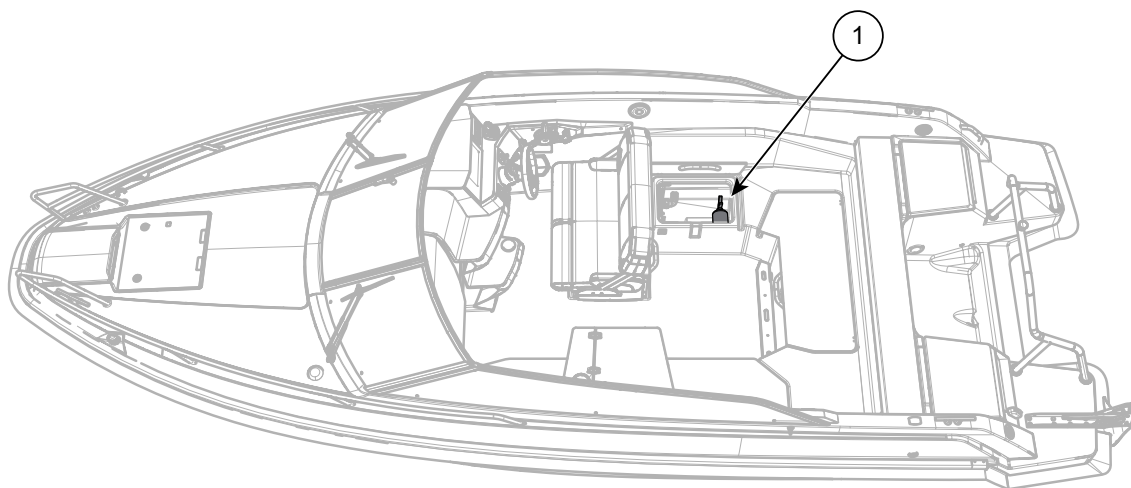
Observera att båtens stabilitet försämras för varje ökad vikt som placeras högt i båten. Alla förändringar av massornas läge påverkar båtens stabilitet, trimning och prestanda. Kom ihåg att stora brytande vågor alltid utgör en allvarlig fara för stabiliteten.

5.8. Förebyggande av brand och explosionsrisk

5.8.1. Brandskydd

Båten är utrustad med en 2 kg handsläckare i klass 8A 68 B. Släckaren ska kontrolleras varje år av en auktoriserad kontrollant för att säkra släckarens funktion. Om handsläckaren byts ut ska den nya handsläckaren ha åtminstone samma släckningskapacitet som den gamla.

Bild: Handsläckarens placering



1. Handsläckare

Se till att släckningsredskapen är lätt tillgängliga även när båten är lastad. Informera hela besättningen om släckningsredskapens placering och funktion.

Kom ihåg att aldrig

- blockera utrymningsvägarna till öppningar och luckor
- blockera åtkomsten av säkerhetsanordningar, t.ex. elsystemets strömställare
- blockera åtkomsten av handsläckaren i boxen
- lämna båten utan övervakning när spisen används eller värmaren är i drift
- ändra något i båtens system (särskilt eloch bränslesystemen) eller tillåta att en okvalificerad person utför ändringar i något av båtens system

- fylla på någon bränsletank när en anläggning är i drift, eller när spisen eller värmaren används
- röka när bränsle eller gas hanteras.

OBS!

Eftersom släckaren monteras i båten under tillverkningskedet, så kan granskningsdatumet som är ett år i kraft bli gammalt inom en kort tid efter att båten tagits i bruk.

5.8.2. Tankning

Stäng av motorn och släck eventuella cigaretter innan du tankar. Det är inte tillåtet att använda strömställare eller annat som kan bilda gnistor under tankningen.

Om pistolventilen vid tankning slår från ska den vridas t.ex. 90 grader så att strålen inte riktas direkt mot fästskruven för kedjan.

Använd inte plasttratt när du tankar vid en servicestation. Den kan förhindra avledningen av den statiska spänningen mellan pistolventilen och påfyllnadsbeslaget.

Tips: Om du är rädd för att bränsle stänker på det teakdäcket vid tankning är det bästa att fukta däckets med vatten före tankningen. En trasa kan användas som skydd vid påfyllningsbeslaget för att förhindra att bränsle stänker på däckets.

Se alltid till att du har reservbränsle med dig. Lämpliga förvaringsutrymmen för reservdunkar är särskilt de båda bakre ankarboxarna. Om du använder dessa finns det ingen risk att förångat bränsle når batteriutrymmet eller elsystemet.

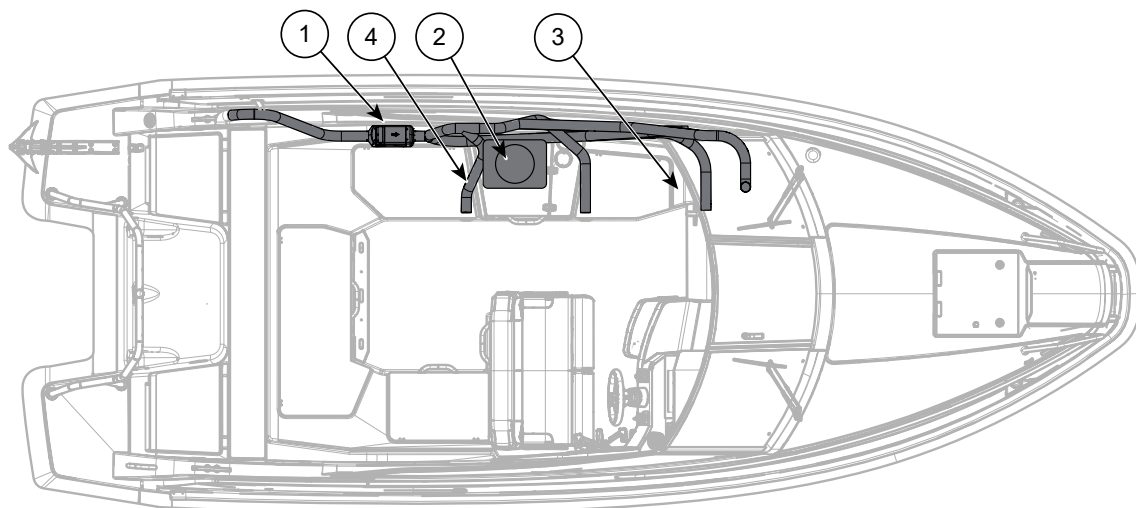
Undvik att förvara lösa föremål under akterbänken som kan förhindra bränsleförsörjningen till motorn om de rör sig. Detta gäller särskilt föremål som kan förskjutas mot bränsleledningar och filter. Kontrollera bränsleledningarna årligen, särskilt vid genomföringarna, och se till att de inte är nötta.

Observera att hela tankkapaciteten inte alltid kan användas beroende på båtens trimoch lutningsvinkel.

VARNING!

Bränsleångorna är explosiva. Var ytterst försiktig och följ dessa instruktioner vid tankning. Bränslelukt betyder alltid att det finns förångat bränsle i båten.

5.9. Övriga system som förbrukar bränslen (spis och värmare)



1. Dieselvärmare
2. Spis
3. Värmeväxlare
4. Diesel tank

5.9.1. Värmare

Dieselvärmare (tillval tillbehör) har egna användarhandböcker och drift beskrivs inte i denna bruksanvisning. Bränsletankar för spis och värmare ligger under bakbenen. Stäng av ugnen och värmaren vid tankning. Rengör alltid spillt bränsle omedelbart.

NOTERA!

Om båten är utrustad med en värmare (tillval tillbehör), stäng inte avgasrören när värmaren är påslagen. Detta kommer att orsaka att värmaren överhettas och ansluter överhettningsskyddet.

5.9.2. Spis

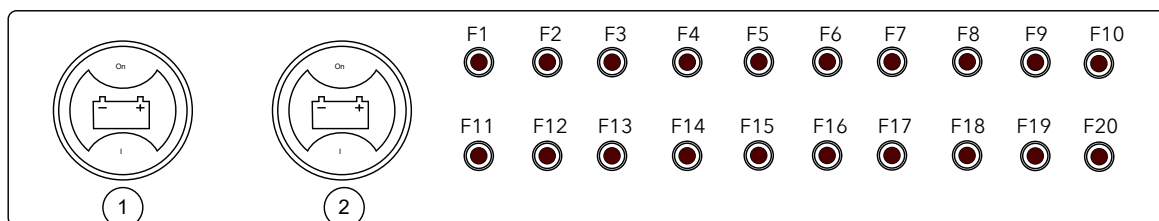
Spis (tillval tillbehör) har en egen användarhandbok som är försedd med båten. Funktionen beskrivs inte i detalj i denna bruksanvisning.

5.10. Huvudbrytare och säkringar

Huvudbrytarnas funktion:

- vridkontakten medsols -> strömkretsen är inkopplad
- vridkontakten motsols -> batteriet är fränkopplat

Bryt strömmen med båda huvudbrytarna är båten lämnas och koppla på strömmen med båda huvudbrytar



1	Strömbrytare, Primära batteriet		F10	Extra	10A
2	Strömbrytare, Sekundera batteriet		F11	Spis / extra	10A
F1	Kylskåp	20A	F12	Yamaha Q	10A
F2	Värmare	15A	F13	Vindrutetorkare	10A
F3	Länspump	10A	F14	Duschpump	10A
F4	Raymarine	10A	F15	Solpanel	10A
F5	Däcksljus / vattenpump	10A	F16	Hyttbelysning	5A
F6	Navigationsljus	10A	F17	Trimplan	20A
F7	Audio	25A	F18	Servostyrning	40A
F8	DC-uttag	10A	F19	Toalett	25A
F9	NMEA	3A	F20	Hytt	10A

Säkringarna för strömkretsarna är placerade vid sidan av huvudbrytaren och förarplatsen. Säkringsstorlekarna visas även i kopplingschemat. Ändra inte säkringarnas amperevärde och installera inga komponenter i elsystemet som medför att strömkretsens nominella amperetal överskrider.

Bryt alltid strömmen och koppla på strömmen med båda huvudbrytarna. Strömmen ska också brytas då elinstallationer utförs. Se till att inte bryta direktmatningen (på bilden ovan nr 3: Direct Supply) om du vill att den eldrivna länselpumpen ska vara i funktion när du inte är närvarande. Kom ihåg att stänga av kylskåp, spis, kartplotter, eventuell radio etc. Alla dessa försörjs av direktmatningen.

OBS!

Strömmen ska också brytas då elinstallationer utförs.

OBS!

Bryt aldrig strömmen med huvudbrytaren när motorn är i gång! Detta kan skada motorns elsystem.

OBS!

Set till att inte utföra elinstallationer (t.ex. byte av glödlampa) med strömmen påkopplad. Låt professionella elektriker utföra större elinstallationer.

6. Rätt användning – övriga rekommendationer och anvisningar

Om detta är din första båt eller om båttypen är ny för dig bör du ta med dig en person som har erfarenhet av motsvarande båtar under de första färderna.

6.1. Manöverreglage

Det är lätt att lära sig manövrera båten, men ständigt växlande förhållanden, t.ex. vind och sjögång, ställer föraren inför nya situationer. I fjärreglaget kombineras gas, växel fram och bak samt inställning av motorns riggvinkel. Båten är försedd med hydraulisk styrning.

6.2. Nödstopp

Nödstoppet är en anordning där den ena änden fästs i en strömställare som finns under fjärreglaget och den andra t.ex. i livvästarna. Nödstoppet stoppar motorn automatiskt när det lösgörs från strömställaren under fjärreglaget. Det är mycket viktigt att båten stannar om föraren av någon orsak tappar balansen och ramlar från förarplatsen.

OBS!

Använd aldrig båten utan att fästa nödstoppet vid dig själv. Om du fäster nödstoppet vid handleden ska du inte styra båten med samma hand eftersom kedjan kan fastna i ratten vid snäva svängar.

OBS!

Motorn startar inte om inte nödstoppet är fäst vid strömställaren under fjärreglaget.

FARA!

En roterande propeller är livsfarlig för en person som har fallit i vattnet eller simmar. Använd nödstoppet och stäng av motorn när en person som simmar eller åker vattenskidor ska komma upp i båten.

6.3. Växlar och gas

Lägg i växeln genom att med fingrarna trycka upp knappen på växel/gasreglaget och sedan skjuta eller dra växel/gasreglaget framåt eller bakåt beroende på önskad rörelseriktning. När växeln är ilagd kan du reglera båtens hastighet med samma växel/gasreglage.

När båten rör sig långsamt framåt kan backläget användas som broms t.ex. när du lägger till vid en brygga. I högre hastighet än långsam rörelse framåt får backväxeln inte läggas i eftersom motorn då kan skadas.

6.4. Justering av motorns riggvinkel

Grundreglerna för justeringen av riggvinkeln är följande:

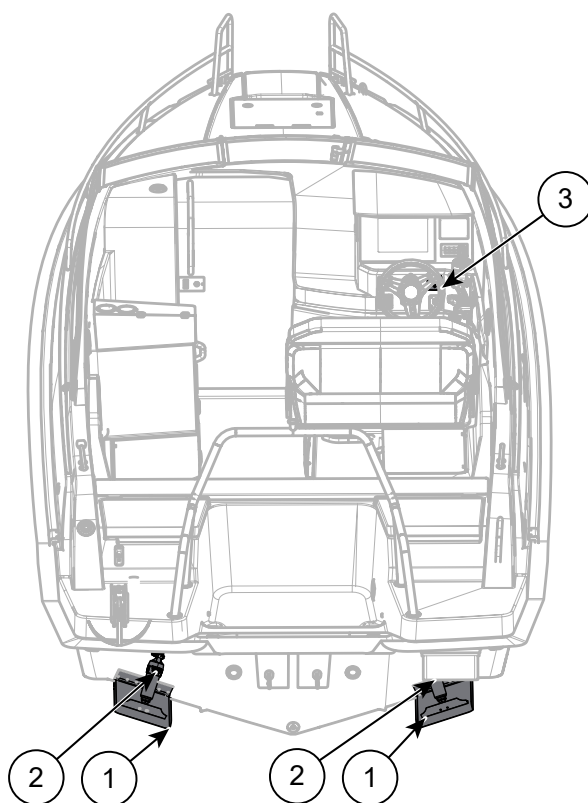
- Ställ in läget "fören ned" medan båten lyfter i planing.
- Lyft fören när båten planar och våghöjden är låg tills motorn och båten rör sig lätt. Vid lugn sjö ska motorn trimmas åtminstone tre steg uppåt. Trimmätaren finns i varvräknaren. Om motorn trimmas för högt minskar båtens hastighet. Om båten körs med för liten trimning blir hastigheten lägre och motorn går tungt. Det är viktigt för bränsleekonomin att motorns trimning är korrekt (= rätt trimvinkel).
- Sänk fören i hård motsjö. Då rör sig båten mjukare.
- Lyft fören i medsjö så att den inte "dyker" in i vågorna.

VARNING!

Undvik att köra båten med motorn högt trimmad (= fören uppåt) eftersom båten kan kränga kraftigt när propellern träffar vattnet efter en luftfärd vid kraftig sjögång. Undvik också att köra i hög hastighet med motorn helt negativt trimmad (= fören nedåt) eftersom båten kan kränga oförutsett när fören träffar vattnet. Om fören är för lågt kan instabilitet förekomma när båten svänger.

Med hjälp av trimplanen kan båtens krängning i sidled korrigeras så att båten går helt upprätt både i sidvind och då båten är ojämt lastad.

Alla planande båtar har en tendens att kränga mot vinden men med trimplanen kan krängningen korrigeras genom att vrida trimplanet på lovertssida nedåt. Då skär båtens vassa förparti genom vågorna och båten rör sig mycket mjukare. Om en ytterligare minskning av sjögångens effekt på båten önskas ska båtens lovertssida trimmas upp så att vågorna i större utsträckning passerar under kölen.



- 1. Trimflik
- 2. Trimcylinder
- 3. Trimbrytare

VARNING!

Var försiktig vid regleringen av trimplanen vid höga hastigheter – trimplanen ändrar båten beteende häftigt. Undvik att trimma fören alltför mycket nedåt eftersom båten då kan svänga plötsligt.

VARNING!

Hög sjö försämrar båten manövrerbarhet och får båten att kränga. Ta hänsyn till detta och sänk hastigheten när sjögången ökar.

6.5. Start av motorn

1. Slå på strömmen med huvudbrytaren.
2. Sänk motorn i körläge genom att med tummen trycka ned knappen Power Trim som finns på växel/gasreglaget.
3. Kontrollera att växel/gasreglaget är i friläge och att nödstoppet är anslutet till strömställaren vid fjärreglaget.
4. Slå på strömmen utan att starta motorn och vänta ett par sekunder tills varningslamporna tänds.
5. Starta motorn genom att vrida tändnyckeln medsols tills motorn startar. Om allt fungerar ska motorn starta inom 1-2 sekunder. Om motorn inte startar får respektive startförsök pågå i högst 10 sekunder.
6. Låt motorn gå på tomgång några minuter när den har startat innan du ger dig iväg. (Se motorns instruktionsbok!)

Närmare instruktioner finns i motorns instruktionsbok.

6.6. Körning

Det är lätt att köra i vackert och lugnt väder. Kom ihåg att det ändå är nödvändigt att hålla utkik. För att få så god sikt som möjligt se till att:

- passagerarna placeras så att synfältet inte inskränks
- kör inte vid gränsen till planing så att förens höjd hindrar sikten
- hålla utkik ovanför vindrutan vid dålig sikt
- kom ihåg att även hålla utkik bakåt, särskilt i fartygsleder

Använd navigationsljusen i mörker.

Anpassa alltid hastigheten efter förhållandena och omgivningen. Beakta följande:

- sjögången (fråga passagerarna vilken hastighet de anser vara komfortabel)
- båtens egen svallvåg (störst vid planingströskeln, minst vid displacementshastighet, dvs. under 5 knop)
- sikten (öar, dimma, regn, bländande solljus)
- kunskap om rutten (tid som behövs för navigering)
- trängsel i farleden (andra som rör sig på sjön, buller och svallvågor mot stranden)
- se till att alltid hålla tillräckligt avstånd som räcker för att stoppa båten och väja för att undvika kollision.

När en planande båt körs i låg hastighet är kursstabiliteten sämre än i högre hastigheter. Var därför uppmärksam i smala passager och särskilt vid möten med andra båtar.

Lär dig sjöreglerna och följ anvisningarna i dem samt kraven i COLREG (internationellt regelverk för att undvika kollision till sjöss). Navigera med omsorg och använd nya eller uppdaterade sjökort.

Båtens gångläge påverkar kraftigt köregenskaperna och även bränsleförbrukningen samt sikten från styrplatsen. Du kan påverka gångläget:

- genom lastens placering. Den generella regeln är att ha så låg vikt som möjligt i fören.
- justering av motorns riggvinkel.

Rätt gångläge i kombination med lämplig hastighet ger en komfortablare och säkrare körning i sjögång.

VARNING!

Hög hastighet och plötsliga styrrörelser i hög sjö kan leda till att man tappar kontrollen över båten och till stora krängningsvinklar.

OBS!

Båten är inte konstruerad för att hoppa från våg till våg så att den är helt ur vattnet. Garantin täcker inte skador som uppstår på grund av luftfärder. Eventuella luftfärder visas i motorhistoriken som kan kontrolleras med hjälp av dator.

6.7. Till och från bryggan

Öva manövrering av båten genom att lägga till vid en brygga på en plats där det finns gott om utrymme innan du kör in båten i en trång hamn för första gången.

Alltför försiktigt gaspådrag ger inte tillräcklig styrförmåga. Använd tillräckligt gaspådrag under korta

perioder för att åstadkomma effektiv styrning när du lägger till vid en brygga.

Se till att alla personer ombord, som inte behöver stå, sitter när du manövrerar båten mot bryggan. Plötsliga styrrörelser kan få båten att kränga och orsaka kroppsskador.

Se till att förtöjningslinorna är färdigt utlagda i fören och aktern innan du lägger till vid bryggan. Närma dig bryggan i liten vinkel med fören först. Vrid ratten mot bryggan och lägg i backen precis innan du berör bryggan. Ge ett kort och tillräckligt gaspådrag. Båten stannar och vänder sig i bryggans riktning. Om möjligt ska du närma dig bryggan mot vinden eller motströms beroende på vilken som är starkare. Då är det lätt att lägga ut när vinden eller strömmen trycker ut båten från bryggan. Det bästa sättet att lägga ut är att skjuta ut aktern så långt som möjligt från bryggan. Backa sedan långsamt ut från bryggan till fritt vatten.

Propellern är konstruerad för att ge bästa grepp i riktning framåt. Vid backning är propellerns effekt sämre. Båten lyder inte heller styrningen lika bra vid backning som vid körning framåt.

VARNING!

Båten är snabb. Den stannar inte direkt från planingshastighet. Minska hastigheten när du närmar dig en strand eller brygga. Lär dig att bedöma den sträcka som krävs för att bromsa in båten. Kom ihåg att båtens styrförmåga försämras när motorn inte driver.

VARNING!

Försök inte stoppa båten med handkraft och placera inte händer eller fötter mellan båten och bryggan, stranden eller en annan båt! Öva att lägga till under goda förhållanden! Använd motorkraften behärskat men målmedvetet!

OBS!

Ta hänsyn till eventuell ändrad vindriktning, ändringar i vattennivån, svallvågor etc. när du förtöjer båten. Mer information får du bl.a. från försäkringsbolagen.

6.8. Användning av kapell

Kapellet är dimensionerat för att hålla i högst 30 knops hastighet på sjön och 50 km/h på landsväg. Alla tryckknappar ska vara ordentligt fästa under färd. Kapellet är konstruerat så att det är möjligt att endast låta främre delen vara uppfälld. Vi rekommenderar att du tar bort kapellets sidor och bakstycke för att förenkla inplaceringen i kapellgaraget. Därefter viker du sidornas övre delar helt och hållet upp på taket så att inget tyg sticker ut vid kapellbågarnas hörn. Rulla slutligen ihop taket omsorgsfullt inklusive de hopvikta sidodelarna ovanpå taket och lägg in kapellet i kapellgaraget.

OBS!

Båten bör inte användas i regn utan kapell. Utrustningen i båtens sittbrunn är inte vattentät och ska skyddas vid regn.

OBS!

Vindrutans och kapellets konstruktion är inte nödvändigtvis helt vattentät. När kapellet är uppfällt kan det tränga in vatten i båten mellan vindrutan och kapellet.

6.9. Dörr i vindrutan

Dörren i vindrutan ska alltid hållas stängd och låst under färd.

Dörren är inte dimensionerad för att fungera som stödräcke när man passerar in och ut ur båten.

VARNING!

Vid sjögång och i hård eller byig vind ska dörren vara stängd eftersom det annars finns risk för att den slår igen av sig själv. Dörren är tung och kan orsaka kroppsskador om den träffar en person när den slår igen.

VARNING!

När båten inte är i rörelse kan stora vågor eller en vindby leda till att dörren plötsligt slår igen. Därför rekommenderar vi att dörren alltid hålls stängd när den inte används för passage till och från fördäcket.

6.10. Däckslucka

Däcksluckan ska alltid hållas stängd och låst under färd.

OBS!

Även om däcksluckan är stark nog att stå på, kan skräp från skor repa luckans yta. Undvik att trampa på luckans lock.

6.11. Trappsteg, vindrutans vassa hörn och ruffdörren

Det är viktigt att iaktta stor försiktighet i trappsteget särskilt när ruffdörren är öppen.

OBS!

När båten är i rörelse ska ruffdörren låsas med regeln annars kan dörren slå igen med hög hastighet.

VARNING!

Se upp för vindrutans övre hörn på styrbordssidan när du kommer uppför trappsteget så att ditt knä inte stöter mot det vassa hörnet. När du går nedför trappsteget kan hörnet stöta mot benet om du inte är försiktig.

VARNING!

Vi rekommenderar att barn inte använder luckan, eftersom barnens fingrar eller tår kan komma i kläm.

6.12. Man överbord

Situationen man överbord är alltid allvarlig. Det är viktigt att öva sådana situationer på förhand när vädret är bra. När en olycka inträffar finns inga övningsmöjligheter.

Båten är utrustad med en fastinstallerad badstege som kan nås även från vattnet.

Det är bäst att hjälpa en person som har fallit överbord tillbaka upp i båten vid aktern. En repögla som är fäst i båten underlättar uppdragningen. Båtens badstege sträcker sig cirka 30 cm under vattenytan. Om ett barn faller i vattnet ska en vuxen person hoppa i vattnet och ta med sig t.ex. en extra flytväst eller en fender, men någon måste också vara kvar i båten.

Det är ytterst viktigt att hålla ögonkontakten och samtalskontakt med den person som fallit över bord.

FARA!

En roterande propeller är livsfarlig för en person som har fallit i vattnet eller simmar. Använd nödstoppet och stäng av motorn när en person som simmar eller åker vattenskidor ska komma upp i båten.

6.13. Säkring av lös utrustning

Säkra alla tunga föremål, t.ex. ankaren, tillförlitligt innan du kastar loss.

Skjutdörr i ruffen

OBS!

Vi rekommenderar att skjutdörren till ruffen hålls stängd under färd. Om man ändå önskar hålla skjutdörren öppen i låg hastighet ska den vara låst med en spärr så att dörren inte plötsligt slår igen och någon kan komma i kläm.

6.14. Hänsyn till miljön

Vår skärgård och våra sjöar är unika och det är en hederssak för båtmänniskor att bevara denna natur. Undvik därför:

- bränsleoch oljeläckage
- att tömma skräp och avfall i sjön eller att lämna det på stranden
- att släppa ut tvättmedel och lösningsmedel i sjön
- kraftigt ljud både på sjön och i hamn
- onödigt höga svallvågor, särskilt i sund och på grunt vatten.

Underhåll motorn och kör med ekonomisk hastighet så att utsläppen av avgaser hålls låga.

För vissa länder gäller den s.k. allemansrätten som ger alla människor rätt att röra sig i naturen, med undantag för gårdsområden, om man inte orsakar skador eller olägenheter. Enligt denna rätt är det också tillåtet att röra sig med båt och ankra, bada och stiga i land vid en obebodd strand om det inte särskilt är officiellt förbjudet. Ankring vid bebodda stränder är förbjuden. Det är inte heller tillåtet att förtöja vid en privat brygga eller bebodd strand.

Läs igenom de internationella regler om att förhindra förorenande av haven (MARPOL) och respektera dem i så hög grad som möjligt.

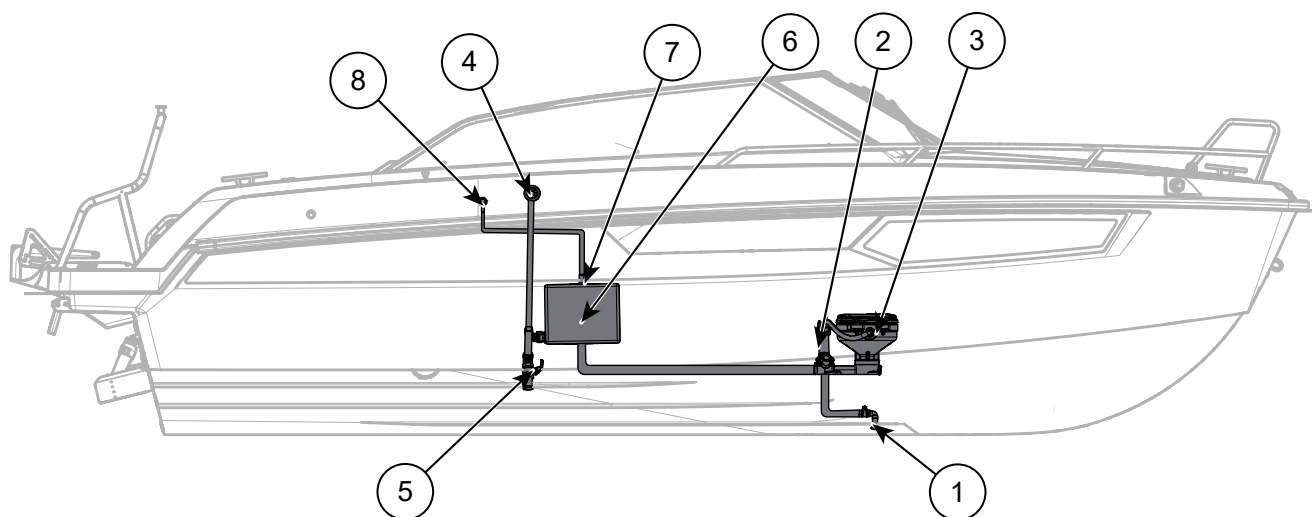
Enligt allemansrätten är det tillåtet att tälta på öar om det inte orsakar skador för markägaren. Det är förbjudet att tälta nära gårdsområden och odlingar. Markägarens tillstånd krävs för att tända en lägereld. Båtmänniskor får också plocka vilda bär och svampar om detta inte skadar träd och naturen. Kontrollera vilka regler som gäller för ditt område när du rör dig i naturen.

6.15. Användning av toalett och septiktank

Toaletten spolas med havsvatten. Vid spolningen leds avloppsvattnet till septiktanken. Spolvattnets avstängningsventil är placerad i kabinen under vänster sidobänk. Vid normal användning kan ventilen hållas öppen. Vi rekommenderar att ventilen stängs vid hård sjögång för att undvika hävereffekt.

Storleken på septiktanken (=toalettavloppstank) är 28 l och tanken är placerad under bänken i sittbrunnen på styrbord sida (SB). Däcksbeslaget för sugtömningen överensstämmer med standarden ISO 8099 och är placerad vid akterpollaren på styrbords sida.

Bild: Septiksystem



- | | |
|--------------------------------------|--|
| 1. Toalett spola vattenintagsslangen | 5. Septiktankens avloppsventil |
| 2. Toalettspolningspump | 6. Septiktank |
| 3. Toalett | 7. Septiktank sensor |
| 4. Septiktankens dammsugare | 8. Septiktankdränering genom montering |

Töm septiktanken före avfärden från en hamn genom att använda hamnens sugtömningsanläggning.

Ventilen för havstömning av septiktanken är placerad i kabinen under höger sidobänk.. Kontrollera vilka bestämmelser som gäller för de områden där båten används och håll ventilen för havstömning av septiktanken stängd om bestämmelserna förbjuder tömning av obehandlat toalettavloppsvatten i havet. Det finns möjlighet att plombera ventilen för havstömning.

Septiktanken med tillhörande slangar etc. kan rengöras med svagt alkaliska universalrengöringsmedel. Glykol kan användas som frostskyddsmedel. Före förvaring i köld ska systemet tömmas så att det är så tomt som möjligt.

6.16. Förtöjning och ankring

Förtöj alltid båten omsorgsfullt även på skyddade ställen, eftersom förhållandena kan ändras snabbt. Förtöjningslinorna bör vara försedda med fjädrar som dämpar ryck. Fästpunkterna beskrivs i avsnittet Bogsering. Använd tillräckligt stora fendrar för att förhindra nötskador.

Hållfastheten framåt för de främre pollarna är minst 23 kN, dvs. cirka 2 300 kg. Hållfastheten bakåt för akterpollarna är minst 16,0 kN, dvs. cirka 1 600 kg.

Det ankare som används för båten ska väga minst 10 kg. Fäll ankaret tillräckligt långt från stranden. Ett rimligt fäste uppnås när linans längd är 4 - 5 gånger vattendjupet.

VARNING!

Försök inte stoppa båten med handkraft och placera inte händer eller fötter mellan båten och bryggan, stranden eller en annan båt!

OBS!

Ta hänsyn till eventuell ändrad vindriktning, ändringar i vattennivån, svallvågor etc. när du förtöjer båten. Mer information får du bl.a. från försäkringsbolagen.

6.17. Bogsering

Använd en tillräckligt kraftig, flytande bogserlina vid bogsering av en annan båt. Börja bogseringen försiktigt, undvik ryck och överbelasta inte motorn.

Båtägaren ska överväga vilka åtgärder som är viktiga när han/hon fäster bogserlina i båten.

När du bogserar eller om din båt behöver bogseras ska du fästa bogserlinan vid aktereller förpollarna enligt bilden.

VARNING!

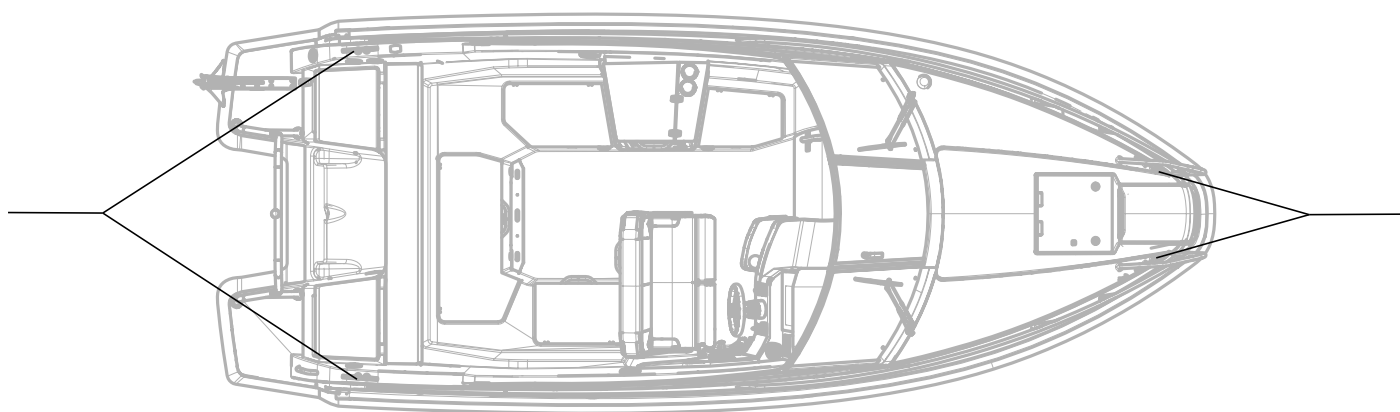
Bogserlinan är mycket spänd. Om den brister kan den lösa änden få en livsfarlig hastighet. Använd alltid en lina med tillräcklig tjocklek och vistas inte i linans dragriktning.

OBS!

Använd låg hastighet när du bogserar eller bogseras. Se till att skrovhastigheten aldrig överskrider vid bogsering av en displacementbåt.

OBS!

Bogserlinan ska alltid fästas så att den kan lösgöras när den är belastad. Bild: Fastsättning av bogserlina vid pollarna



6.18. Transport på trailer

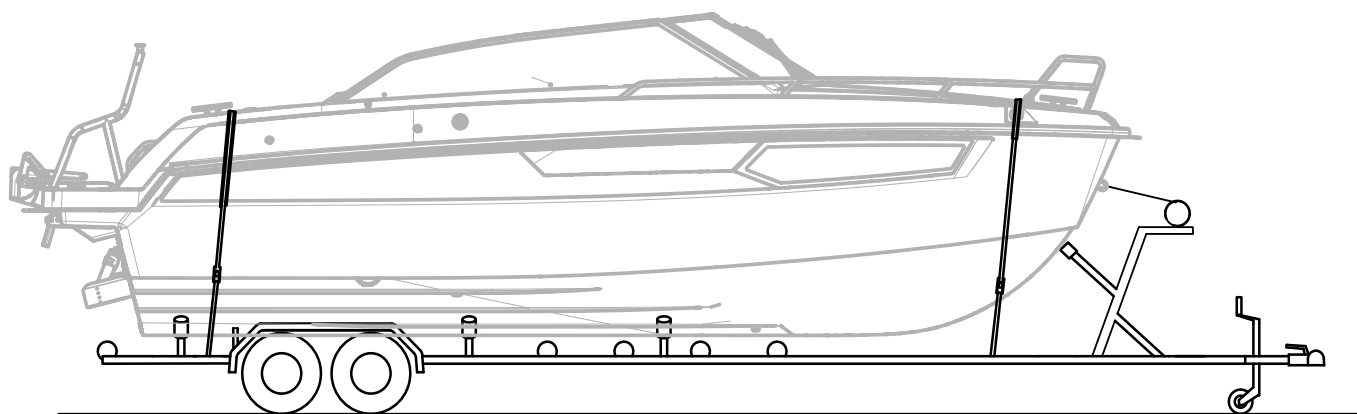
Uppgifterna om vikten vid trailertransport finns i den tekniska specifikationen. Trailerns stöd för kölen ska bära största delen av båtens vikt. Ställ in sidostöden så att båten inte kan gunga i sidled. Be vid behov att få mer information om korrekta stöd och rätt trailerstorlek av återförsäljaren.

Rengör stöden och avlägsna sand och föroreningar så att båtbottnen inte repas. Kontrollera ytterligare en gång att låsningen mellan trailern och bilens dragkrok är säker!

Upptagningsplatsen ska vara skyddad och trailerrampen nå tillräckligt djup. Backa ut trailern så djupt att det bakre stödet för kölen är precis under vattenytan. Kör båten försiktigt mot det bakre stödet för kölen. Fäst vinschlinan i bogseröglan.

Vinscha upp båten på trailern. Se hela tiden till att båtens riktning överensstämmer med trailerns centrumlinje. Kom ihåg att trimma upp motorn så att den inte tar i botten när du drar upp båten på trailern.

Bild: Fastsättning på trailer



Spänn fast båten stadigt vid trailern innan transporten inleds. Linorna i fören ska riktas nedåt-bakåt och linorna i aktern nedåt-framåt. Lämna inga lösa föremål eller extra last i båten under transporten. Ta bort sittedynorna och stäng alla luckor ordentligt.

Motorn ska vara i körläge under transporten. Se dock till att markfrigången är tillräcklig. Om markfrigången är otillräcklig kan motorn transporteras i tiltat läge. Då måste motorn stötts med lämplig stöd för att skydda akterspegeln.

Om båten förvaras på trailern mellan transporterna ska linorna lossas under förvaringen och spännas på nytt före nästa transport.

OBS!

Trailern skall vara en aning förtung. Lämplig bomvikt är 4 % av trailerns totalmassa, dock minst 25 kg. Bomvikten i vertikal riktning får dock inte överstiga fordonstillverkarens maximalt godkända belastning på dragkroken. Se till att båten är tillräckligt stadigt surrad vid trailern och att vikten är jämt fördelad mot sidostöden. Om en gungande båt slår mot ett enskilt stöd under transporten kan skrovet skadas.

Kom ihåg att fästa en lina vid fören innan båten sjösätts så att du kan ta loss trailerlinan från bogseringsöglan direkt när båten är i sjön. Se upp för vinschveven!

6.19. Sliptagning

Vaggan för vinterförvaring ska vara tillräckligt stabil för denna kombination av båt och motor. Lägga en stadig plank (t.ex. 2x4") mellan v-bockarna så att den stöttar kölen och bär majoriteten av båtens vikt. Sidostöden får inte bära båtens vikt. Sidostöden får inte vidröra steglisterna. Undvik punktlaster. Stödkonstruktionerna ska vara särskilt kraftiga i närheten av akterspegeln så att de även bär motorns vikt.

Låt endast ett tillförlitligt kranföretag eller ett båtvarv med tillräcklig lyftkapacitet utföra lyftupdraget. Beakta förutom båtens egen vikt (se tekniska specifikationen) den utrustning och övriga last som finns i båten.

När båten lyfts med linor ska de placeras under båtbottnen och man ska se till att båten hålls horisontell under lyftet.

OBS!

Pollarna får inte användas för att lyfta båten.

FARA!

Gå aldrig under en båt som endast hänger i en lyftkran.

7. Underhåll av båt och utrustning

Håll båten och utrustningen ren och snygg. Då ökar trivseln och säkerheten samt båtens andrahandsvärde.

Läs igenom beskrivningen av serviceåtgärderna i motorns instruktionsbok (bilaga). Utför service på motorn enligt motorns instruktionsbok.

7.1. Tvätt och vaxning av båten

I allmänhet räcker tvätt och vaxning för skötseln av däck och sidorna. För tvättningen lämpar sig de särskilda båttvättmedlen bäst. Undvik starka lösningsmedel eftersom de kan dämpa ytglansen. Ett mildt slipande polermedel kan användas för att åtgärda nötta ytor och ingrodd smuts. Glasfiberytorna kan tvättas med högtryckstvätt.

Tips: En båt som tvättas med vattenledningsvatten får en tunn, kritaktig kalkoch mineralbeläggning när den torkar beroende på vattnets hårdhet. Undvik detta genom att blanda några droppar tallsåpa i sköljvattenhinken.

Tips: Avlägsna vattendroppar- och kalkfläckar från syrafasta räcken med hjälp av möbelmedlet Lemon Pledge. Räckena blir lika blanka som när båten lämnade varvet.

Tips: Om linorna i båten luktar illa efter säsongen kan du ta en hink vatten, hälla i en flaska äppelvinäger och en skvätt sköljmedel och sedan lägga i linorna under ett par timmar. Låt dem torka ordentligt och de är som nya.

7.2. Skötselansvisningar för sittdynorna

Skydda alltid dynorna i båtens sittbrunn mot regn med kapellet eller en hamnpresenning. Även om sittdynorna och förarsätet är tillverkade av vattentätt material så är sömmarna inte täta. Skydda gärna dynorna genom att spreja dem med medlet Sunbrella. Om dynorna är fuktiga under en längre tid kan de angripas av mögel och förstöras. Om dynorna blir våta kan överdraget tas bort genom att öppna blixtlåset. Låt sedan dynan torka i solsken, i värmen inomhus eller i bastu (50 °C). Garantin ersätter inte sittdynor som har förstörts av regn eller fukt.

OBS!

Båtens sittdynor måste förvaras på en torr och välventilerad plats för att de ska bevaras i gott skick över vintern.

OBS!

Våta dynor ska inte placeras i slutna förvaringsutrymmen eftersom de då lätt angrips av mögel.

Behandla sittdynornas tryckknappar med silikonvaselin med jämna mellanrum annars kan de fastna så hårt att överdragstyget rivs sönder när man tar bort dynorna. Garantin ersätter inte sittdynor som rivits sönder. Använd en mycket liten mängd silikonvaselin per gång så att dynorna inte fläckas ned.

7.3. Skötsel­anvisningar för kapellet

Förvara kapellet över vintern i ett torrt och väl ventilerat utrymme. Garantin ersätter inte rivna eller mögelangripna kapell.

7.4. Skötsel­anvisningar för vindrutan

Vindrutan på båten är gjord av härdat glas och kan rengöras med normala fönsterputsmedel.

Tips: Undvik roterande rörelser när du putsar vindrutan. Detta kan orsaka förtretliga cirkulära repor i glaset som syns i motljus och stör sikten. Använd tidningspapper eller en bomullstrasa och torka den fuktiga tvättade vindrutan först i vågrät och sedan i lodrät riktning. Upprepa detta några gånger så har du skinande rena rutor.

7.5. Skötsel­anvisningar för syrafasta delar

I syfte att bevara glansen och skicket hos båtens delar av syrafast stål, t.ex. räcken, handtag och pollare, ska båtägaren se till att delarna är rena och waxade. Även kanterna på räckenas fotpartier ska rengöras. Smuts som blir kvar under fotkanten börja så småningom se ut som rost. Om inga skador har inträffat ska delarna rengöras och behandlas med vax minst två gånger per sommar. Underhåll räckena även på hösten när båten tas upp för vinterförvaring.

7.6. Skötsel­anvisningar för det elektriska fjärreglaget

Om funktionsstörningar förekommer i fjärreglaget ska en auktoriserad Yamahaverkstad utföra service på reglaget.

7.7. Skötsel­anvisningar för styrsystemet

Den hydrauliska styrning kräver normalt inget underhåll. Det finns ett läckage i systemet om styrning börjar kännas "lös". Ett läckage måste åtgärdas omedelbart.

VARNING!

Ett hydraulsystem som läcker eller innehåller luft är livsfarligt.

7.8. Skötsel­anvisningar för elkomponenterna

Normalt krävs ingen service för elkomponenterna, t.ex. huvudbrytarna, alla övriga strömställare och anslutningar, om båten vinterförvaras på en torr och välventilerad plats. Om du vill skydda elkomponenterna i båten mot oxidation är det bästa sättet att spreja dem med fuktoch korrosions­skyddsmedel.

7.9. Små ytreparationer

Du kan reparera små ytskador på skrovet och däck­et själv. Det krävs emellertid färdighet för att åstadkomma ett snyggt slutresultat som inte märks:

1. Skydda området kring skadan med tejp.
2. Slipa skadans kanter i vinkel och rengör med aceton.
3. Om djupet på skadan överstiger 2 mm är det bäst att fylla skadan med spackel före målningen.
4. Blanda 1,5-2 procent härdare i topcoaten.
5. Applicera topcoaten på skadan så att ytan blir något högre än den omgivande ytan.

- Lägg försiktigt tejp på reparationsstället.
- Ta bort tejpens när topcoaten har härdats och slipa vid behov med vattenslippapper nr 600 och 1200.
- Polera reparationsstället med slippasta och vaxa.

Det är bra att veta att färg som kallas gelcoat används vid tillverkningen av båten, men att ytan senare alltid repareras med färg som kallas topcoat. Gelcoatfärgen kräver en form för att härdas medan paraffin har tillsatts topcoaten för att möjliggöra härdning utan form.

OBS!

Felaktigt utförda efterinstallationer och ändringsarbeten kan skada konstruktioner i båten eller utgöra en risk för säkerheten. Kontakta återförsäljaren om du planerar att göra förändringar i båten.

7.10. Vinterförvaring av båten

Upptagning av båten för vinterförvaring är en rutin som återkommer varje höst. Ta upp båten i god tid innan isen lägger sig. Båten är inte dimensionerad för gång i is och inte avsedd för användning i temperaturer under 0 °C (t.ex. dräneringssystemet för regnvatten fryser). I samband med vinterförvaringen är det bäst att utföra alla service-, reparations- och kontrollåtgärder.

Läs igenom beskrivningen av serviceåtgärderna i motorns instruktionsbok. Vi rekommenderar att ett auktoriserat serviceföretag anlitas för servicen. Kom också ihåg serviceåtgärderna på fjärreglaget och styrsystemet. Utför serviceåtgärderna enligt de separata anvisningarna och instruktionsböckerna.

7.10.1. Åtgärder före vinterförvaring

Spola av båtens botten omedelbart efter upptagningen. Alger och slem lossnar lättare innan de har hunnit torka. Töm kylvattnet ur motorn enligt instruktionsboken.

Utför vinterservice på motorn och övrig utrustning enligt respektive instruktionsbok. Om du förvarar båten utomhus under vintern eller i fuktiga utrymmen ska du ta bort alla textilföremål och annan utrustning som kan angripas av mögel eller förstöras av fukt. Tvätta linorna i färskvatten. Byt ut slitna linor. Låt genomföringarnas ventiler vara öppna. Ta loss dräneringspluggen och låt den vara lös under vintern.

Kontrollera skrovets skick och slipa upp eventuella skador så att fukt som har trängt in i laminatet kan torka ur. Reparera skadorna på våren före sjösättningen.

Täck över båten så att vatten och snö inte samlas i båten. Se dock till att ventilationen är tillräcklig. Du kan köpa vinterförvaringsskydd till din båt som tilläggsutrustning.

7.10.2. Åtgärder på våren före sjösättning

Reparera eller låt reparera eventuella skador i gelcoaten enligt avsnitt 7.9. "Små ytreparationer".

Förhindra påväxt på botten inom havsområden med antifoulingfärg. Förorening av botten och särskilt propellern ökar bränsleförbrukningen väsentligt. Om båten ligger i en älvmyrning eller i Bottenhavet, eller om den tas upp ur vattnet med cirka två veckors intervall, behövs ingen antifoulingfärg. Följ färgtillverkarens anvisningar noggrant vid målningen. Om du slipar bort gammal antifoulingfärg, tänk på att slipdammet eller -slammet är giftigt.

Inom insjöområden behövs ingen antifoulingfärg. Vi rekommenderar emellertid att en epoxiprimer används om båten ligger i vatten flera månader per år. Sötvatten, särskilt varmt sötvatten, suggs upp av laminatet lättare än saltvatten.

OBS!

Måla inte zinkanoder och inte heller kolvstängerna till motortiltens hydraulcylindrar. Kopparhaltiga färger får inte användas på aluminiumdelar. Följ färgtillverkarens anvisningar.

Tips: Kasta inte bort en använd målarpensel. En målarpensel med antifoulingfärg som har torkat kan användas på nytt om den blötläggs i ett par timmar i en blandning av två liter varmt vatten, en deciliter ättika och en halv deciliter bakpulver.

Utför de serviceåtgärder motorn kräver enligt motorns instruktionsbok. Kontrollera den elektriska utrustningens funktion och rengör oxidera säkringar och andra kontaktytor.

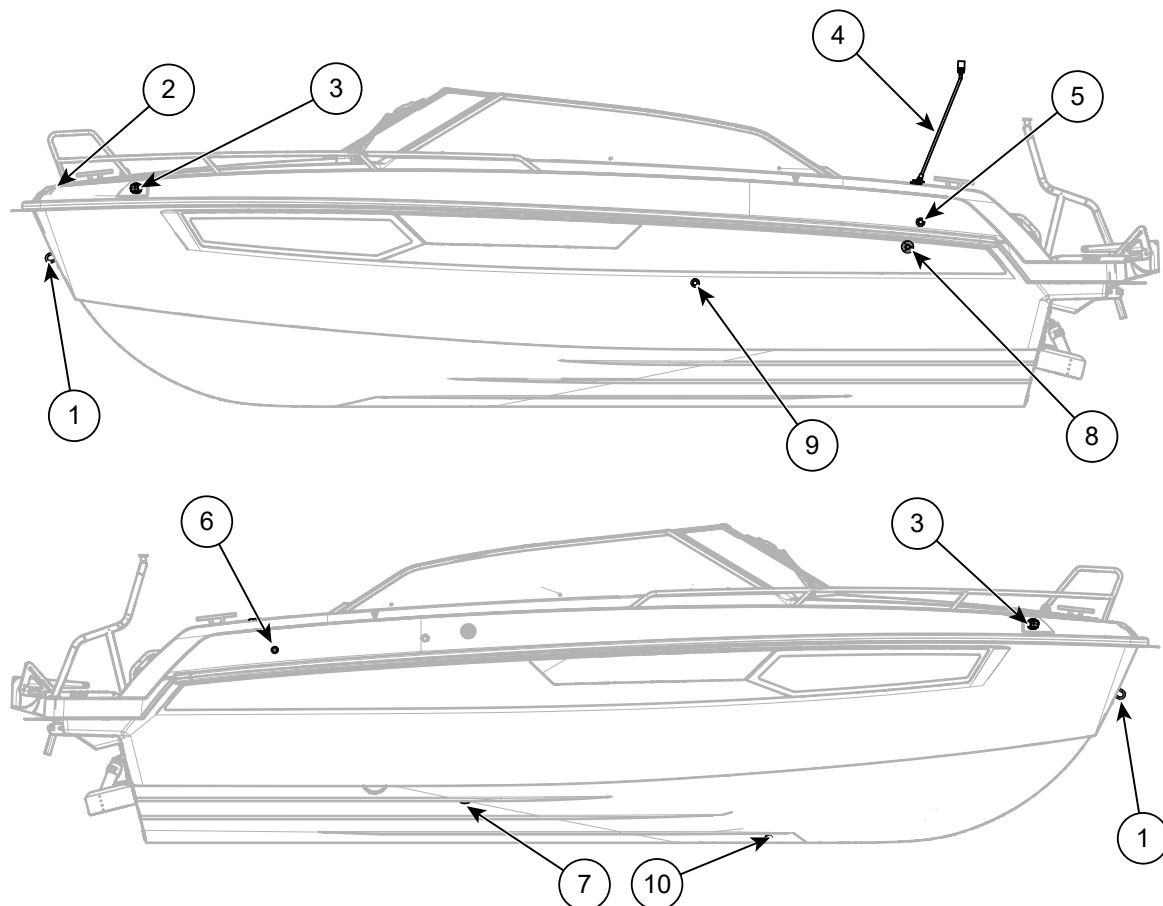
Kom ihåg att bensen åldras. Starta därför alltid motorn med ny bensen på våren.

När båten är sjösatt ska du öppna alla genomföringsventiler och kontrollera att inga läckage förekommer i slangar eller kopplingar. Genomföringarnas placering visas i avsnitt 5. Säkerhetsutrustningen ska tas ombord innan du ger dig ut på sjön.

8. Layout

8.1. Allmän layout

Bild: Layout från sidan



- | | |
|------------------------------|------------------------------------|
| 1. Släpkrok | 6. Automatisk pilpumpanslutning |
| 2. Låsögla | 7. Septiktankens avloppsanslutning |
| 3. Navigationsljus | 8. Avgasrör för dieselvärmare |
| 4. Ljusmast | 9. Sänks dräneringsmonteringen |
| 5. Manuell länsumpanslutning | 10. Toalettspolning av vattenintag |

8.2. Bränslesystem

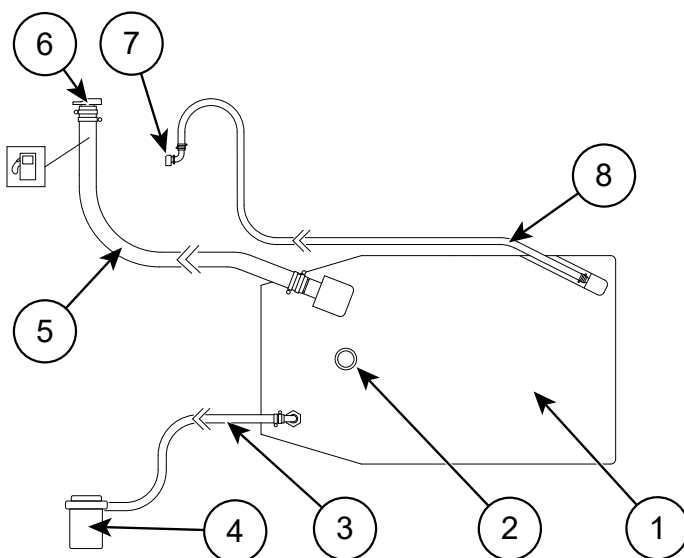
Båten är försedd med fast bränsletank. Bränsleledningen är försedd med ett bränslefilter som även fungerar som vattenavskiljare. Filtret ska bytas åtminstone en gång per år. När ett nytt filter eller ett demonterat filter monterats måste bränsleledningen fyllas med bränsle med hjälp av pumpen i bränsleslangen innan motorn startas.

OBS!

Kontrollera bränsleslangarnas kondition regelbundet och förebygg skador på slangarna. Byt ut skadade bränsleslangar. Om bränsleslangar byts, se till att de nya slangarna är försedda med märkningen ISO 7840.

Bild: Bränslesystem

Svenska



- | | |
|-----------------------------------|--------------------------------------|
| 1. Bränslematnings slang | 6. Bränslefilter |
| 2. Bränsletank | 7. Bränslepåfyllnings slang |
| 3. Bränsletankens nivågivare | 8. Bränsletankens luftnings beslag |
| 4. Bränsletankens fästrem | 9. Bränsletankens påfyllnings beslag |
| 5. Bränsletankens luftnings slang | |

Bränsletankens påfyllnings beslag är utmärkt på däckets symbolen .

8.3. Styrsystem

Båten är försedd med hydraulstyrning. I egenskaperna för ett hydraulstyrningssystem ingår att rattens läge ändras kontinuerligt och därför har båten en symmetrisk ratt.

Den hydrauliska styrning kräver normalt inget underhåll. Det finns ett läckage i systemet om styrning börjar kännas "lös". Ett läckage måste åtgärdas omedelbart.

OBS!

Om du byter en komponent som ingår i styrsystemet är det viktigt att du känner till att alla

komponenter måste fylla kraven i standarden ISO 10592 och vara CE-märkta.

VARNING!

Ett hydraulsystem som läcker eller innehåller luft är livsfarligt.

8.4. Elsystem

Elsystemet innehåller följande huvudkomponenter:

1. Startbatteri (ej standardutrustning)
2. Kablage
3. 2 huvudbrytare
4. Säkringspanel för batteriutrymmet
5. 6 strömställare med automatsäkring
6. 2 uttag för 12 V
7. Navigationsljus
8. Däcksljus
9. Vindrutetorkare (styrbords- och babordssida)
10. Färskvattenpump
11. Ruffbelysning + strömställare
12. Kylskåp
13. Spis
14. Trimplan

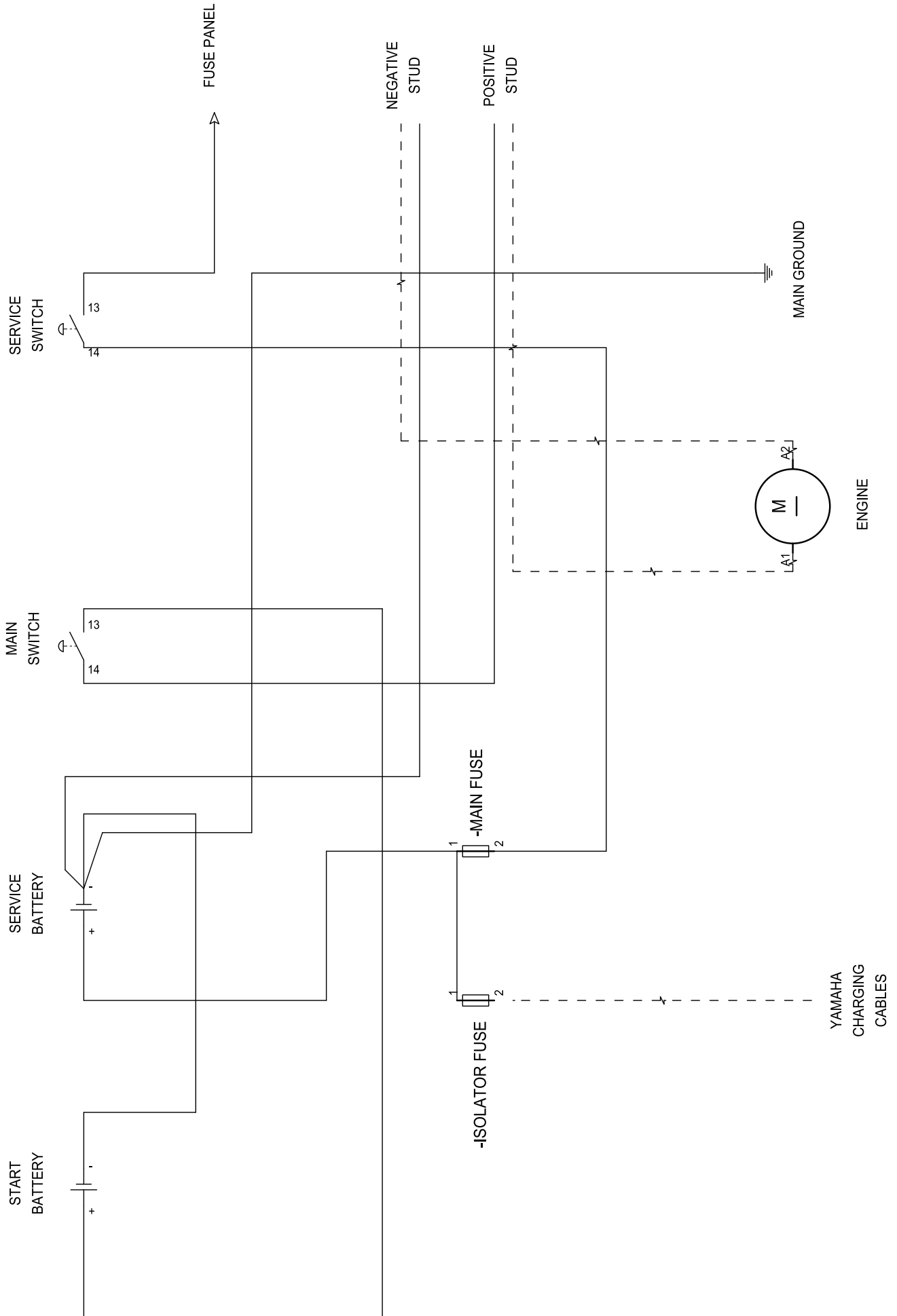
Motorn ingår dessutom som en väsentlig del i elsystemet. Motorn fungerar både som strömkälla och förbrukare.

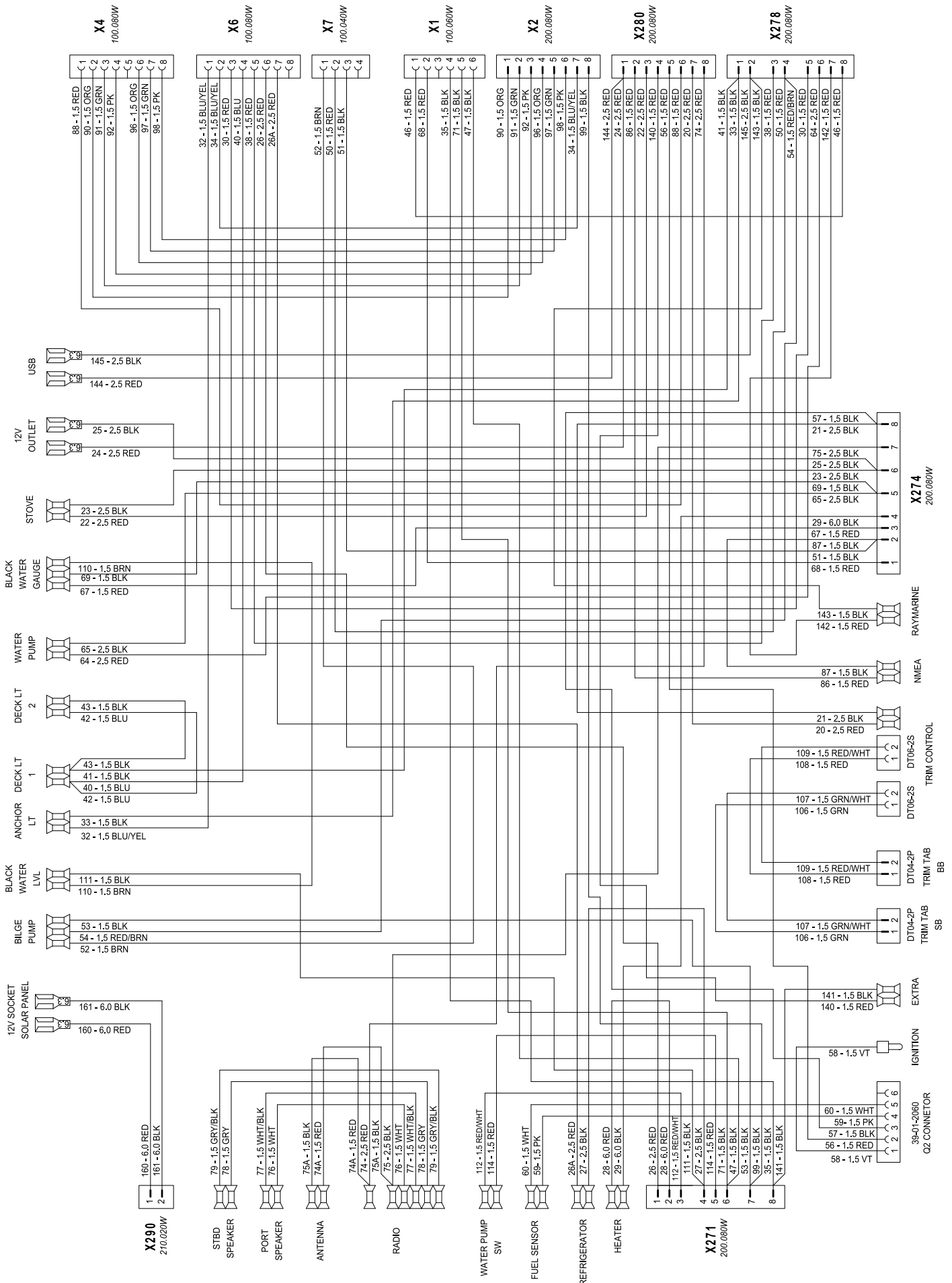
Var försiktig så att inga metallföremål kommer i kontakt med båda polerna samtidigt när batterier tas bort eller läggs tillbaka.

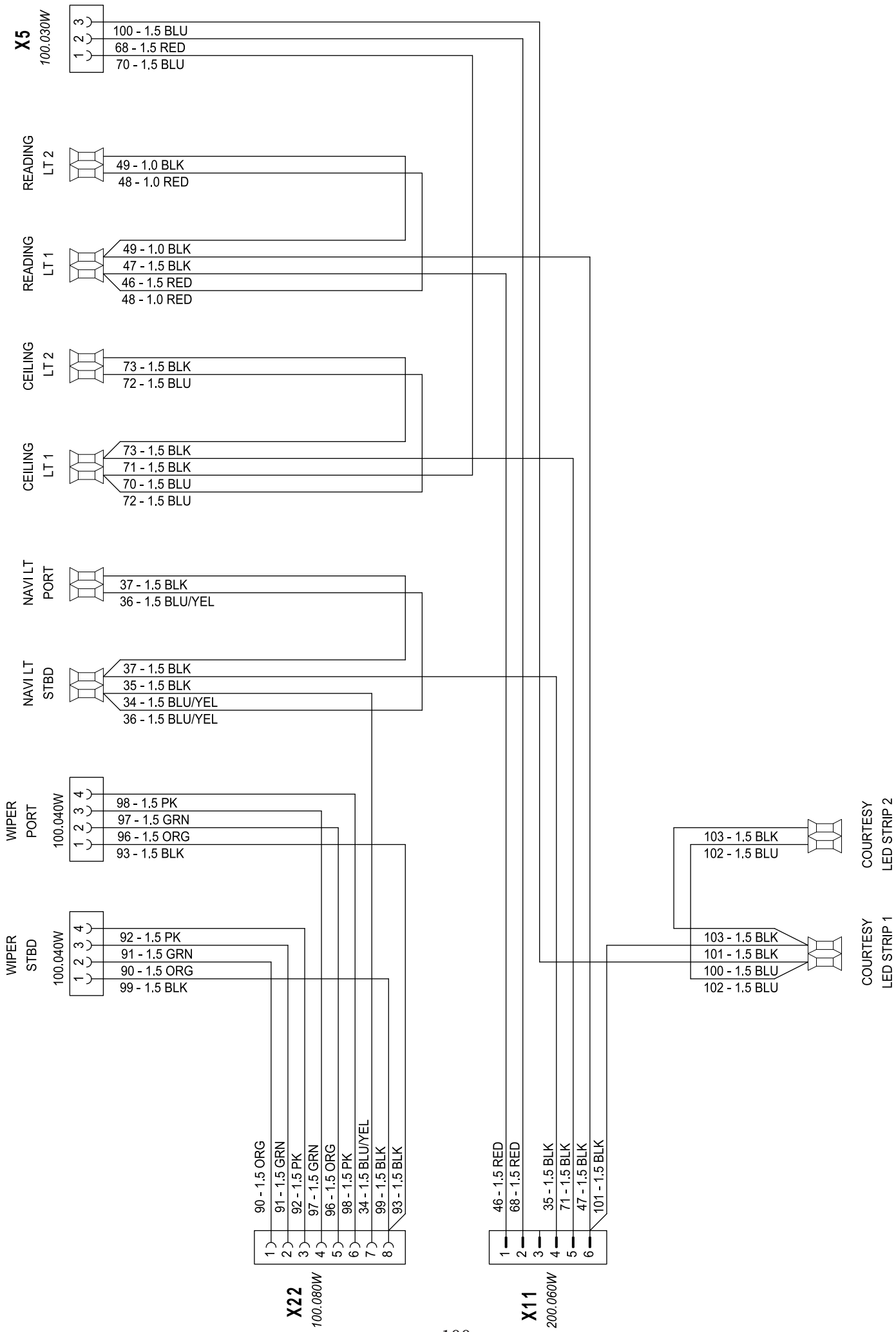
Ladda batterierna endast när de är installerade i båten eller med en batteriladdare som har motsvarande effekt. Laddning med för hög strömstyrka orsakar fara för explosion.

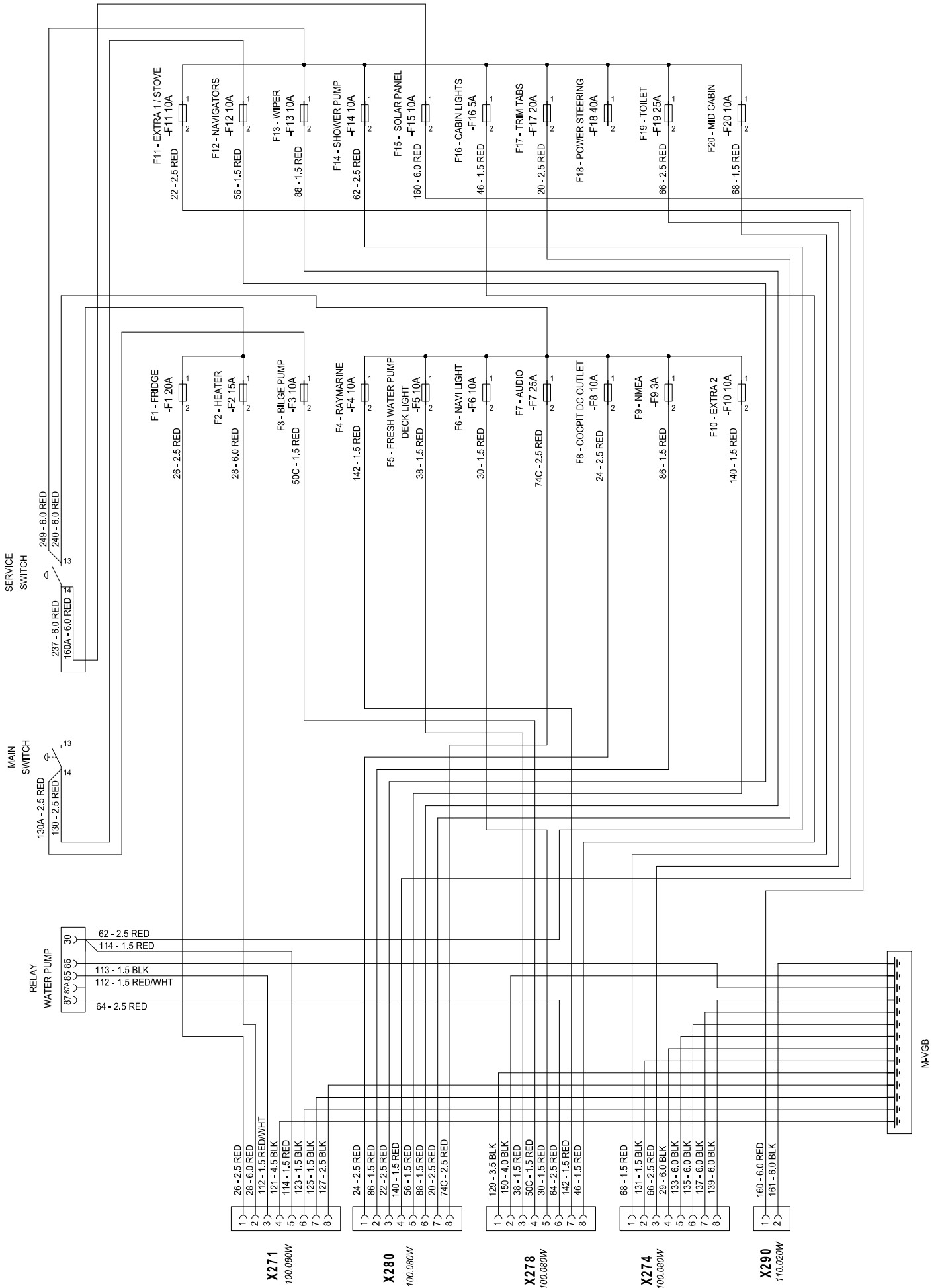
Ändra inte elsystemet i båten eller elsystemets ritningar; låt en yrkesman utföra ändringar och service.

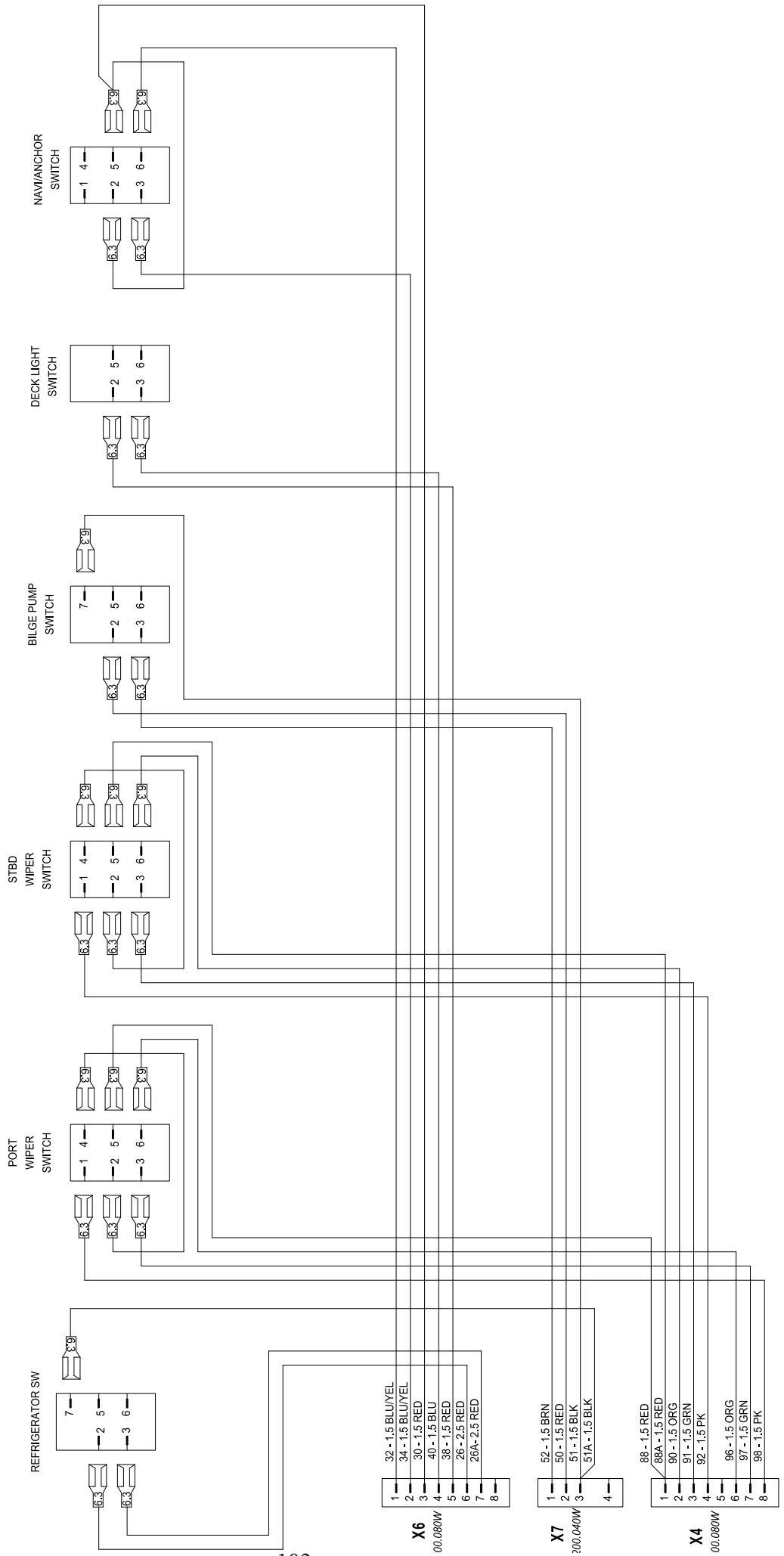
9. Wiring diagrams / Kytkentäkaaviot / Kopplingschema





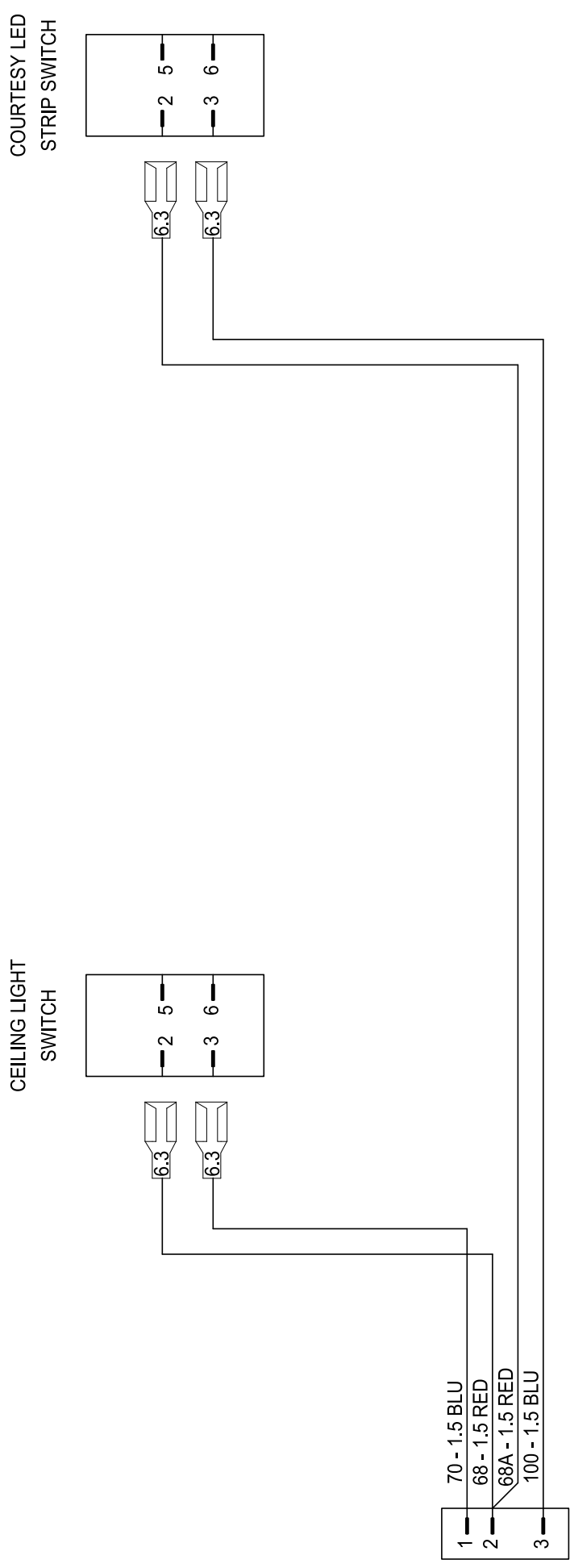


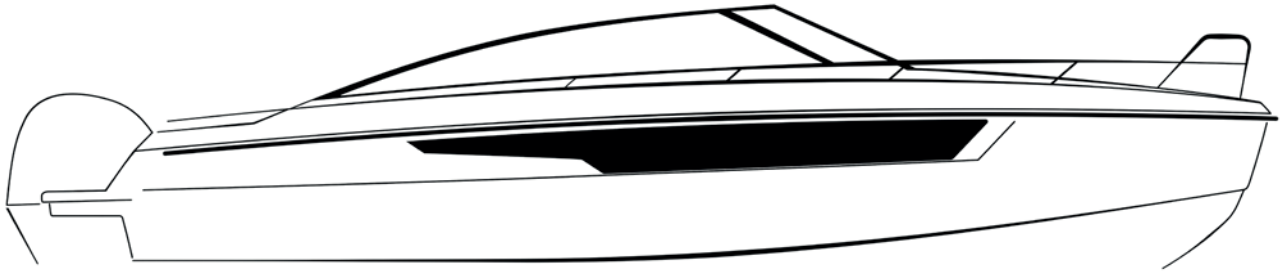




X5

10200.030W





yamarin.com

Yamarin 67 Day Cruiser

Owner's Manual
Käyttäjän käsikirja
Användarhandbok

EMPOWERED BY  **YAMAHA**